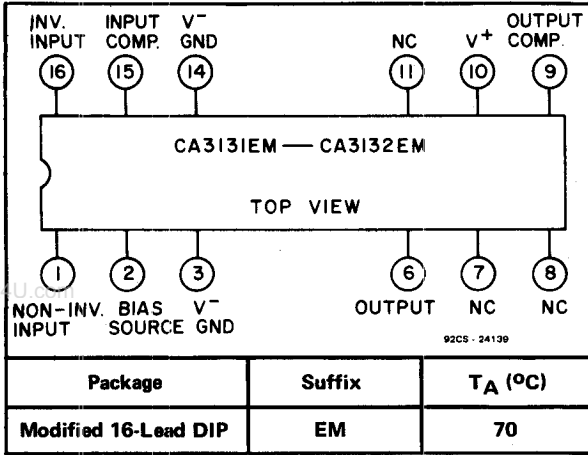


**5-Watt Audio Amplifiers**  
with Integral Heat Sink

CA3131  
CA3132



**Applications and Features**

- Power Output . . . 5W typ.
- Complete amplifier including:
  - preamplifier stages, power output amplifier, and integral heat sink
- Available with internal feedback (CA3131EM) or without feedback (CA3132 EM)
- Operating voltage . . . V<sup>+</sup> = 24 V
- High power supply rejection ratio

**Typical Electrical Characteristics**

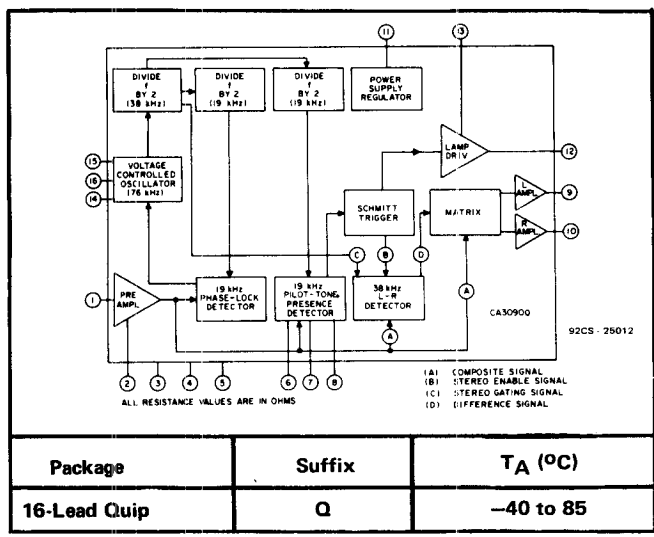
Power Output at R <sub>L</sub> = 8Ω	5 W
Closed-Loop Gain (CA3131)	48 dB
Supply Current	10 mA
Total Harmonic Distortion	1 %
Noise Voltage	1.5 mV RMS

File No. (Preliminary Data)\*

**Multiplex Decoders**

**Multiplex Decoders**

CA3090A



**Applications and Features**

- For FM stereo multiplex systems
- Automatic stereo switching
- Requires the use of only one low-inductance tuning coil
- Power-supply range: 10 to 16 volts
- Requires only one adjustment for alignment
- Switching from monaural to stereo and stereo to monaural produces no audible thumps
- High signal output: directly drives audio amplifiers
- Excellent SCA (storecast) rejection: 72 dB typ.
- High audio channel separation: 40 dB typ.

**Electrical Characteristics T<sub>A</sub> = 25°C**

Capture Range (Deviation from 76-kHz center frequency)	± 10 % typ.
19-kHz Rejection	35 dB typ.
38-kHz Rejection	48 dB typ.
SCA (storecast) Rejection	72 dB typ.

**Electrical Characteristics at T<sub>A</sub> = 25°C**

Channel Separation (L + R Reference)	40 dB typ.
Channel Balance (Monaural)	3 dB max.
Monaural Gain	6 dB typ.
Stereo/Monaural Gain Ratio	± 3 dB max.
Indicator Lamp - Turn-ON Voltage	4 mV typ.
Input Impedance	50 kΩ typ.

File No. 502\*

The CA3090AQ is the successor to the CA3090A and offers the following four major advantages:

- directly drives a stereo indicator lamp (up to 100 mA)
- stereo defect/enable capability and control voltage specifications.
- capable of operation with lower distortion (0.22% typ.)
- operation permissible without use of input current bypass capacitor.

\* Refer to indicated File No. for data bulletin and where given to indicated ICAN No. for application note.