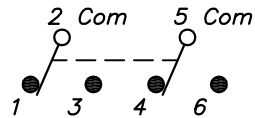
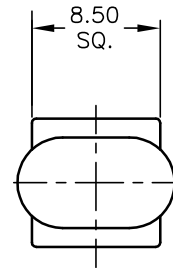


RECOMMENDED P.C.B. LAYOUT

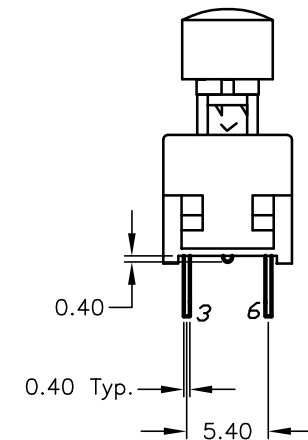
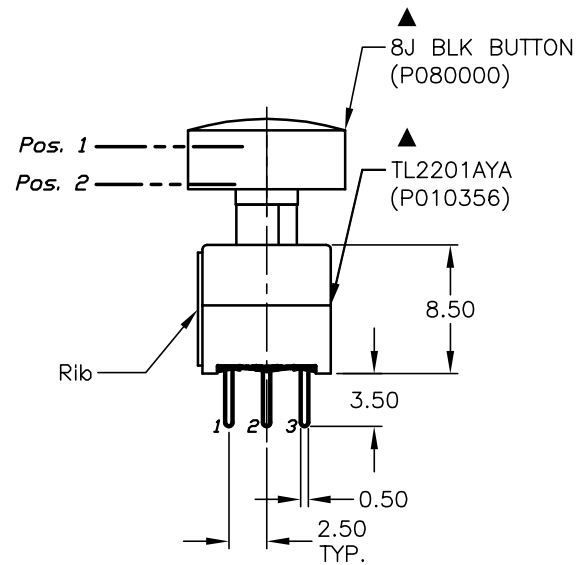


CIRCUIT: 2PDT

SWITCH FUNCTION		
CONNECTED TERM. #	FUNCTION	
2-1,5-4	NORMALLY CLOSED	POS. 1
2-3,5-6	NORMALLY OPEN	POS. 2
2,5	COMMON	

NOTES:

1. ALL DIMENSIONS IN MM
2. GENERAL TOLERANCE: X.X=±0.4  
X.XX=±0.25
3. TERM. NOS. FOR REF. ONLY
4. RATING: 0.1A @30V DC
5. TRAVEL: (TO MAKE)= 1.34±0.38  
(TOTAL TRAVEL)= 2.50±0.38
- ▲ 6. OPERATING FORCE:180±50gf
7. CONTACT RESISTANCE: 50mILLI-Ohms MAX. Initially
8. ELECTRICAL LIFE (at Full Load):  
10,000 Cycles Make & Break
9. ▲ DENOTES CRITICAL PARAMETER.



**E-SWITCH®**

TITLE		TL2201□AYA8JBLK			
SCALE	DATE	DR	DWG	REV	
2:1	10/22/03	AR	XP0262A	A	

A	13547	RELEASED FOR PRODUCTION	10/22/03	AR
REV.	ECN No.	DESCRIPTION	DATE	CHKD
<p>THE INFORMATION CONTAINED IN THIS DOCUMENT IS PROPRIETARY TO E-SWITCH AND IS NOT TO BE COPIED OR TRANSFERRED</p>				