

AN6410

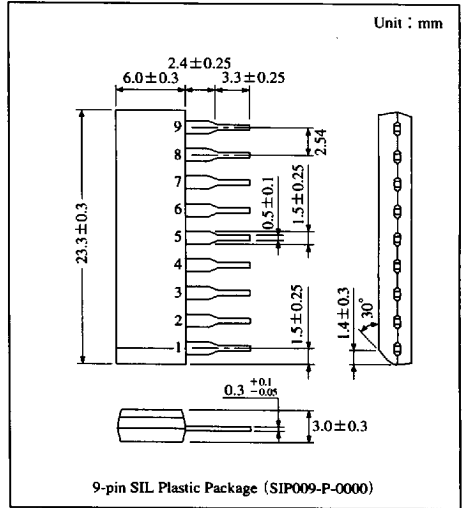
Low Frequency Amplifier for Transmission Modulation Circuit

Overview

The AN6410 is an integrated circuit designed for low frequency amplifier for transmission. It consists of three low frequency amplifiers and a voltage stabilizer.

Features

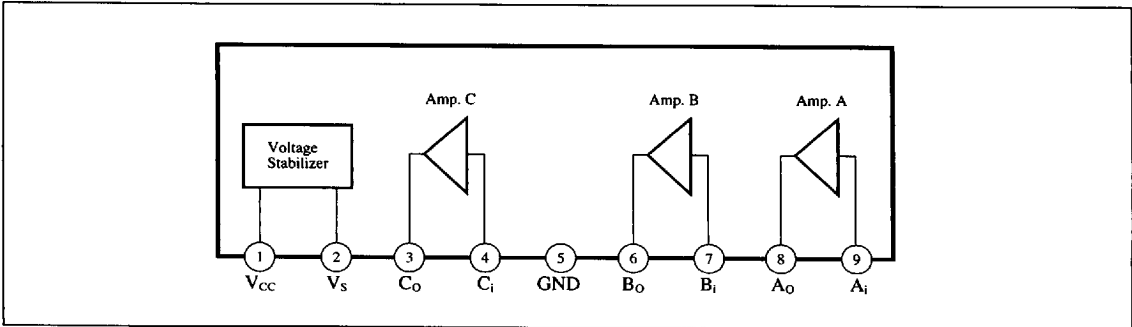
- Fewer peripheral components
- Built-in voltage stabilizer
- Wide range of operation voltages (6.2 to 17V)



Pin Descriptions

Pin No.	Pin name
1	V _{CC}
2	Stabilized voltage
3	C amp. output
4	C amp. input
5	GND
6	B amp. output
7	B amp. input
8	A amp. output
9	A amp. input

Block Diagram



6932852 0013209 595

Panasonic

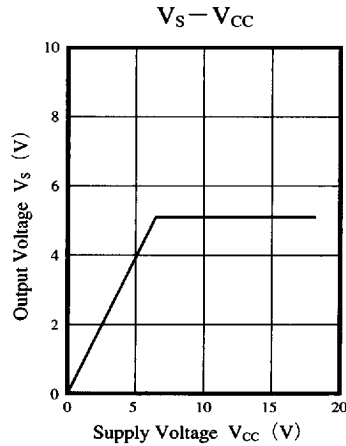
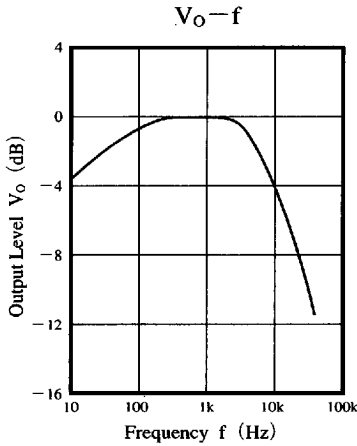
■ Absolute Maximum Ratings (Ta=25°C)

Parameter		Symbol	Rating		Unit
Voltage	Supply voltage	V _{CC}	6.2	17	V
	Circuit voltage	V ₃₋₅	0	4.5	V
	Circuit voltage	V ₄₋₅	0	4.5	V
	Circuit voltage	V ₆₋₅	0	4.5	V
	Circuit voltage	V ₇₋₅	0	4.5	V
	Circuit voltage	V ₈₋₅	0	4.5	V
	Circuit voltage	V ₉₋₅	0	4.5	V
Current	Supply current	I _{CC}	30		mA
Power dissipation (Ta=75°C)		P _D	300		mW
Temperature	Operating ambient temperature	T _{opr}	-30 to +75		°C
	Storage temperature	T _{sg}	-55 to +125		°C

■ Electrical Characteristics (Ta=25°C)

Parameter	Symbol	Condition	min	typ	max	Unit
Total circuit current	I _{tot}		—	11.4	—	mA
A amp. output voltage	V _{O(A-Amp.)}	V _i =10mV, f=1kHz	176	220	264	mV
B amp. output voltage	V _{O(B-Amp.)}	V _i =1mV, f=1kHz	176	220	264	mV
B amp. saturation output voltage	V _{O(sat. B-Amp.)}	V _i =10mV, f=1kHz	625	695	765	mV
C amp. output voltage	V _{O(C-Amp.)}	V _i =1mV, f=1kHz	130	163	195	mV
C amp. output noise voltage	V _{no(C-Amp.)}		—	0.28	—	mV
Stabilized circuit output voltage	V _{REF}		4.7	5.0	5.4	V

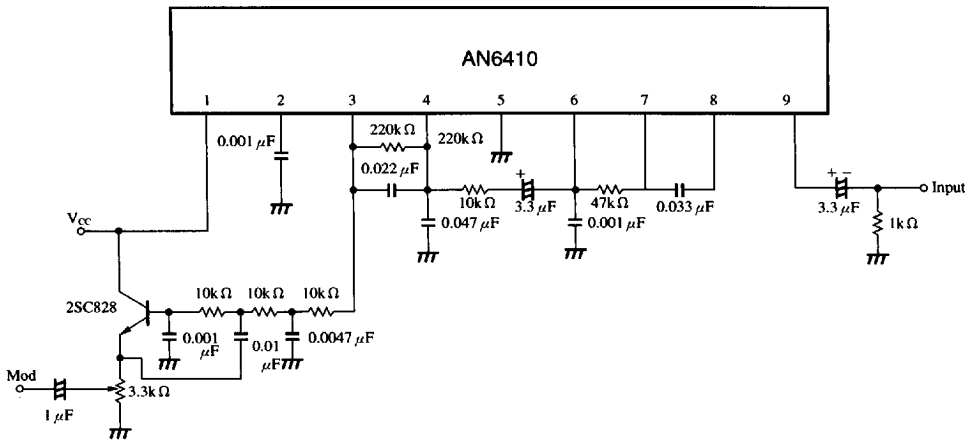
■ Characteristics Curve



6932852 0013210 207

Panasonic

■ Application Circuit



Mobile
Communi-
cation

6932852 0013211 143

Panasonic