

- 5x7 dots with cursor
- 1/16 duty
- Controller (KS0066 or Equivalent) built in
- +5V single supply (+3V also available)
- B/L driven by pin1 and 2 or 15 and 16 or A,K

Pin Assignment

No.	Symbol	Function
1	Vss	Gnd, 0V
2	Vdd	+5V (opt. 3V)
3	Vee	LCD Drive
4	RS	Function Select
5	R/W	Read/Write
6	E	Enable Signal
7-14	DB0-DB7	Data Bus Line
15	A	4.2V for LED
16	K	Power Supply for LED 0V

Mechanical Data

Item	Standard Value	Unit
Module Size	98.0 x 60.0	mm
Viewing Area	77.0 x 25.2	mm
Dot Size	0.55 x 0.55	mm
Character Size	2.95 x 4.75	mm

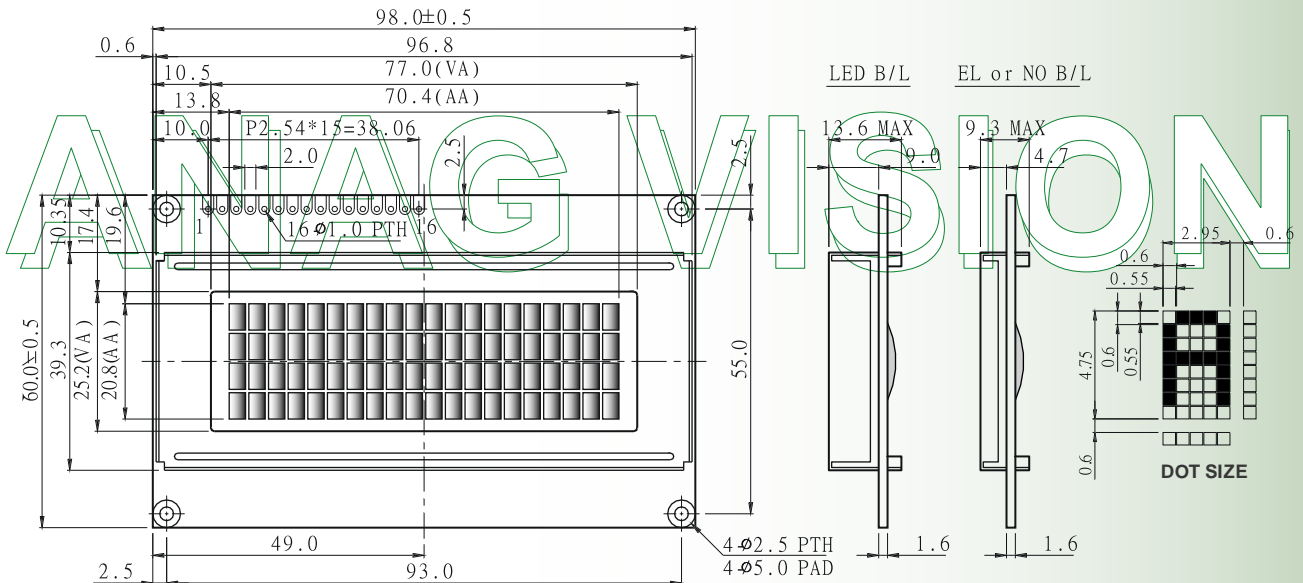
Absolute Maximum Rating

Item	Symbol	Standard Value			Unit
		min.	typ.	max.	
V-Module	Vdd-Vss	-0.3	---	7.0	V
V-Input	VI	-0.3	---	Vdd	V

Vss=0V, Vdd=5.0V

Electronical Characteristics

Item	Symbol	Conditi.	Standard Value			Unit
			min.	typ.	max.	
Input Voltage	Vdd	Vdd=+5V	4.7	5.0	5.3	V
		Vdd=+3V	2.7	3.0	3.3	
Supply Curent	Idd	Vdd=+5V	---	1.6	3.6	mA
Recommended LC Driving Voltage for Standard Temp. Modules	Vdd-V0	-20 °C	---	---	---	V
		0 °C	4.6	4.8	5.2	
		25 °C	4.1	4.5	4.7	
		50 °C	3.9	4.2	4.5	
LED Forward Voltage	Vf	25 °C	---	4.2	4.6	V
LED Forward Current	If	25 °C	---	280	420	mA
EL Power Supply Current	IEL	Vel=110V AC;400Hz	---	---	5.0	mA



Display position

	1	2	3	4	5	6	7	8	9	10	11	12	13	---	20
DD RAM Address Line1	00	01													13
DD RAM Address Line2	40	41													53
DD RAM Address Line3	14	15													27
DD RAM Address Line4	54	55													67