

PRODUCT DATASHEET
PART NUMBER: C8015NL

- Diplexer, 5-864/1125-1525MHz
- Impedance = 75 Ohms
- Metal Can, Through Hole with F-Connector Ports
- Surge per IEC 61000-4-5, Level 3
- RoHS Compliant

Electrical Specifications @ 25°C

INSERTION LOSS (COMMON TO CATV) :

5-800 MHz	801-864 MHz	975-1125 MHz	1126-2500 MHz	2501-3000 MHz			
1.3 dB Max	2.3 dB Max	45 dB Min	45 dB Min	45 dB Min			

INSERTION LOSS (COMMON TO MOCA) :

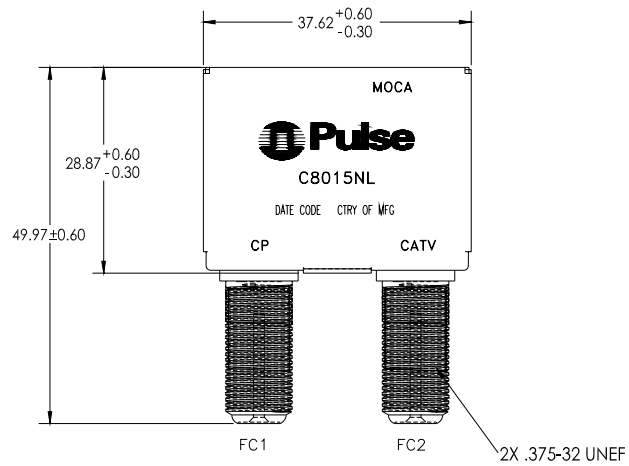
5-600 MHz	601-864 MHz	975-1025 MHz	1125-1525 MHz				
40 dB Min	38 dB Min	38 dB Min	3.0 dB Max				

2300 MHz	3000 MHz	4600 MHz	6000 MHz				
41 dB Min	31 dB Min	25 dB Min	5.0 dB Min				

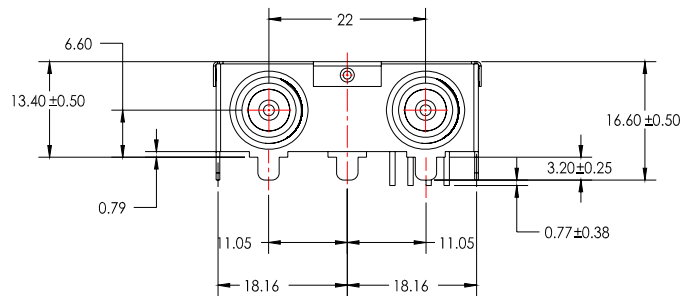
RETURN LOSS : COMMON PORT

5-864 MHz	1125-1525 MHz						
10 dB min	10 dB min						

Mechanical Specifications

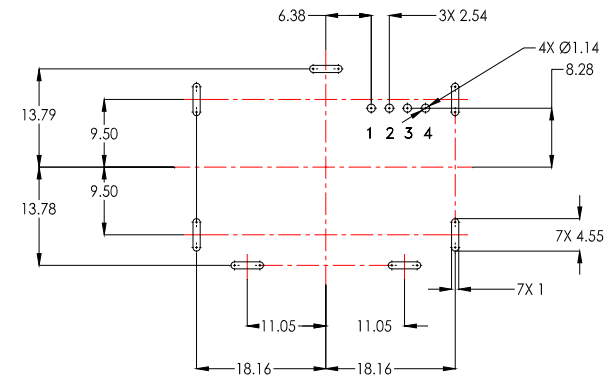


TOP VIEW

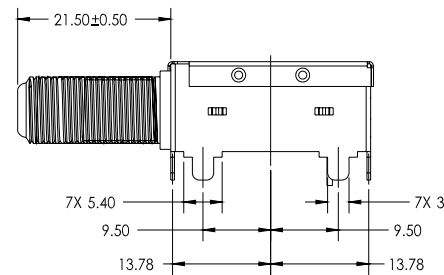


FRONT VIEW

DESIGNATIONS	
COMMON PORT (CP)	FC1
CATV PORT (CATV)	FC2
MoCA PORT (MOCA)	PIN 1
GROUND (GND)	PINS 2,3,4



SUGGESTED PAD LAYOUT
TOP VIEW



SIDE VIEW

DIMENSIONS	MM
TOLERANCES	.XX +/- .25
	.XXX +/- .13

Housing Specifications:
 Connector: F-Type, Female
 F-Connector Torque Resistance: 20 inch lbs in 10 seconds
 Housing: SPTe