

0.5mm Contact Spacing for FPC  
SMT Type • Zero Insertion Force Type

## FA1/FA2 Series Connectors

# JAE

### FEATURES

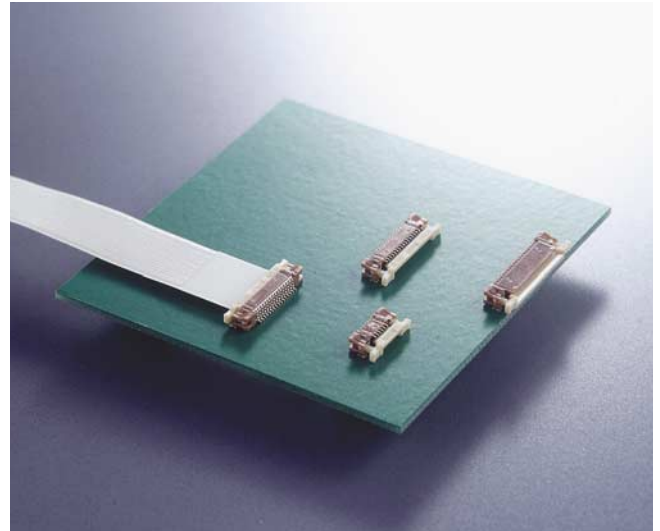
- Space saving, 3.5 mm deep (5~24contacts).
- Low profile, 1.8 mm high on board (plane portion).
- Single face contact, safe even if FPC is inserted in the wrong direction.
  - FA1...Bottom side mating
  - FA2...Top side mating
- Zero insertion force configuration with slider, for easy insertion and extraction of FPC.
- Contact design enabling electric continuity test.
- SMT type for automatic mounting. Can be supplied in embossed taping.
- Holddowns increase retention on board.

### APPLICATIONS

DVC, notebook computers, PDA, liquid crystal displays, information, communications devices such as mobile phone.

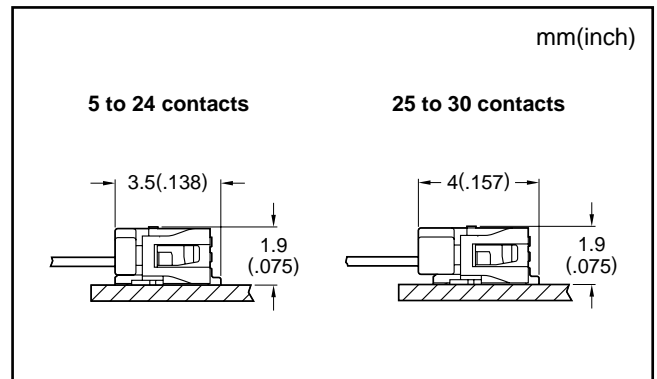
### GENERAL SPECIFICATIONS

<b>No. of Contacts</b>	5 to 30
<b>Current Rating</b>	0.5 Amps
<b>D.W.Voltage</b>	250 VACr.m.s. (for one minute)
<b>Insulation Resistance</b>	100 megohms min.
<b>Contact Resistance</b>	20 milliohms max.
<b>Operating Temperature</b>	-40°C to +85°C
<b>Applicable FPC</b>	0.5mm contact spacing, 0.3±0.05mm thickness with reinforcement

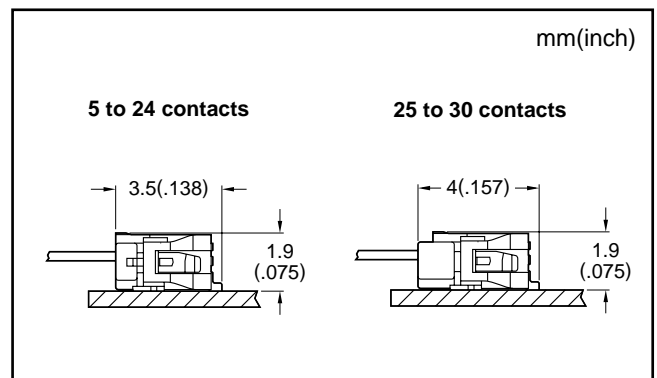


### TYPES

- FA1 : Lower face contact type  
P/N : FA1S\*H5



- FA2 : Upper face contact type  
P/N : FA2S\*H5



\* The products and specifications contained in this catalog are subject to change without notice. When considering use of or placing an order for products included in this catalog, please check first with our sales department.