

Features

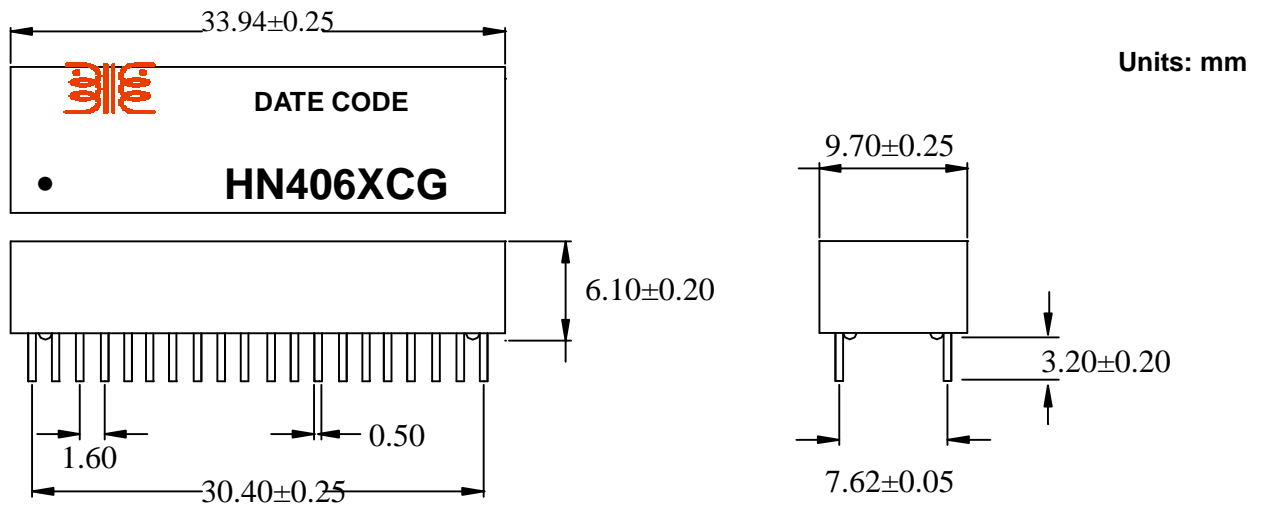
- IEEE 802.3u and ANSIX3.263 standards including 350μH OCL with 8mA bias
- Symmetrical TX and RX channels for auto MDI/MDIX capability
- Product Type: Green Product

Electrical Specifications @25

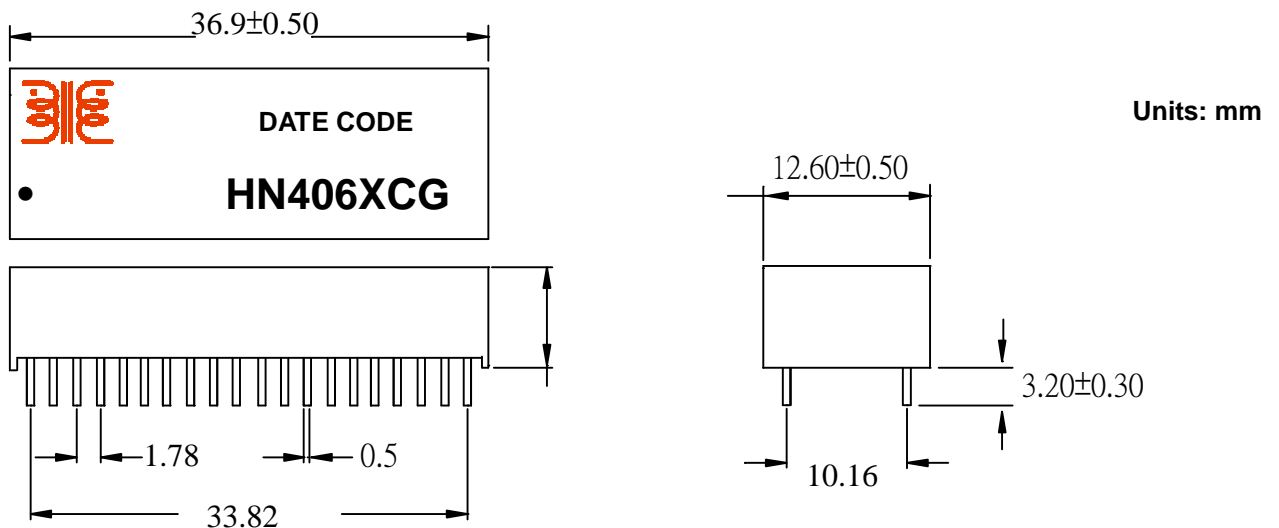
Rise Time & Fall Time @5.0ns(Max), Isolation Hi-pot:1500Vrms(pri/sec), Pri.OCL:Tx&Rx:350μH min @Idc=8mA										
Part No.	Insertion Loss (dB Max)	Return Loss (dB Min)				Cross Talk (dB Min)	CMRR (dB Min)	CWW (pF typ) Tx&Rx	Pri. Resistance (Ω Max)	Turn Ratio Tx/Rx (±5%)
		1-100	0.5-30	40	50					
	MHz	MHz				MHz	MHz			MHz
HN4464SG	-1.1	-18	-15	-13	-11	-38	-40	50	0.9	1CT:1CT / 1CT:1CT
HN4064CG	-1.1	-18	-15	-13	-11	-38	-40	50	0.9	1CT:1CT / 1CT:1CT
HN4065CG	-1.1	-18	-15	-13	-11	-38	-40	50	0.9	1CT:1CT / 1CT:1CT
HN4066CG	-1.1	-18	-15	-13	-11	-38	-40	50	0.9	1CT:1CT / 1CT:1CT
HN4068CG	-1.1	-18	-15	-13	-11	-38	-40	50	0.9	1CT:1CT / 1CT:1CT
HN4464S2G	-1.1	-18	-15	-13	-11	-38	-40	50	0.9	1CT:1CT / 1CT:1CT

Dimension

HN4064CG , HN4065CG



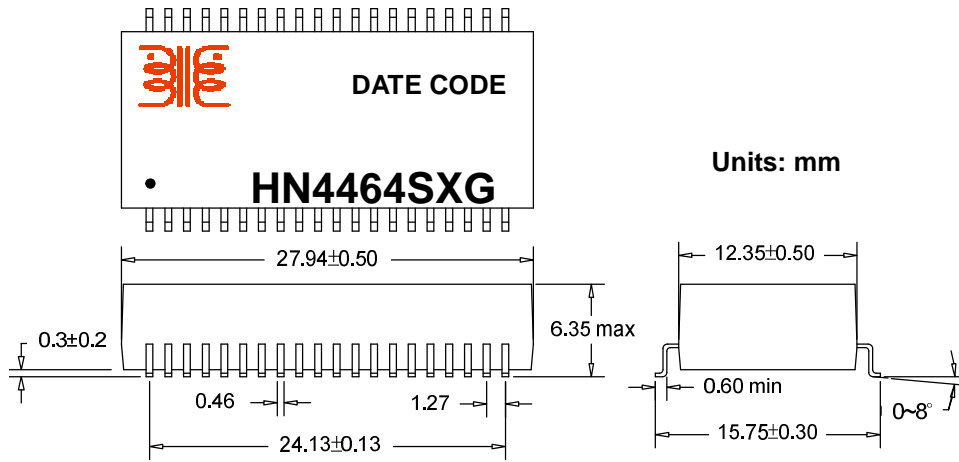
HN4066CG , HN4068CG





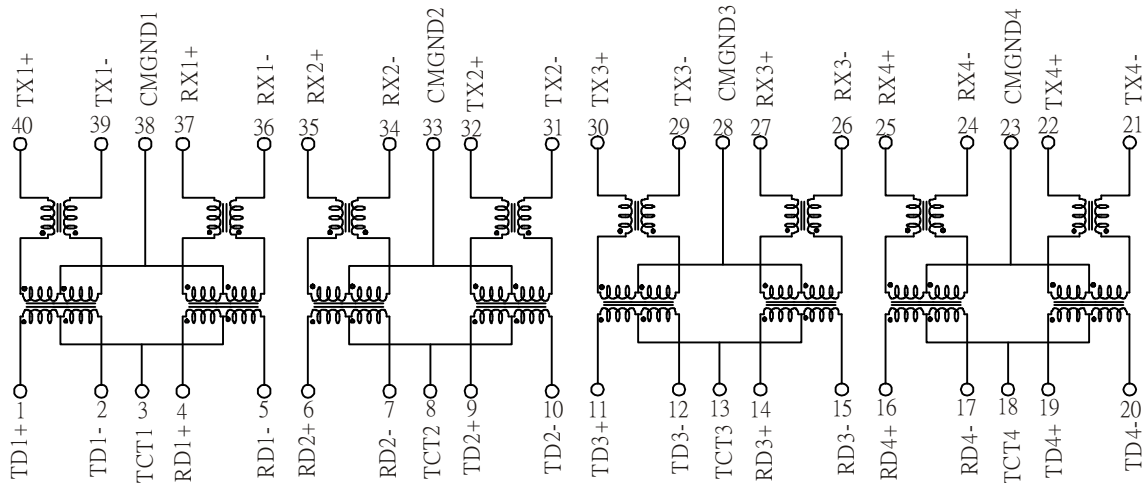
Dimension

HN4464SG , HN4464S2G



Schematic

HN4064CG , HN4066CG , HN4464SG



HN4065CG , HN4068CG , HN4464S2G

