



Introduces

M6049/M6050 Series HCMOS/Clipped Sinewave Precision TCXO/TCVCXO

Features:

- Tight Stability (0.5 ppm)
- Low Phase Noise
- 3.3 V and 5.0 V Versions
- Frequencies from 8 to 52 MHz

Applications:

- Telecommunications such as SERDES / SONET / WiMAX / GSM / GPS / CDMA / Gig-E
- Military communication equipment
- PLL frequency reference
- Test and measurement equipment



MtronPTI

Corporate Headquarters
100 Douglas Avenue
PO Box 630
Yankton, SD 57078-0630
1-800-762-8800
www.mtronpti.com



Applications Note:

MtronPTI's M6049/M6050 series of 14-pin DIP compatible TCXO and TCVCXO products provide design engineers with a high performance and economically priced frequency control device. Stability as tight as ± 0.5 ppm is available with excellent aging characteristics. Frequencies from 8 MHz to 52 MHz are available.

The M6049/M6050 series is well suited for a wide range of precise frequency control applications such as test and measurement equipment, wireless base stations, HF, VHF and UHF communications equipment, PLL frequency reference, avionics, and military communications equipment.

The M6049/M6050 series is available with either an HCMOS or clipped sinewave output and an operating voltage of 5 volts or 3.3 volts. The devices can be ordered as a fixed (F) output or with an adjustable frequency (V) output. Precise adjustment utilizing voltage tuning on pin 1 allows the user to easily adjust the device to nominal frequency without the use of a mechanical trimmer internal to the TCXO. This voltage tuning option means that the hermeticity of the package is maintained because there is no need for a trimmer adjustment hole to be placed on the cover of the part. This assures better long term stability, and aging by preventing the ingress of outside atmosphere or moisture into device due to a trimmer access hole being present in the cover. The M6049/M6050 is an excellent replacement for older 14-pin DIP type TCXO/TCVCXO's that utilize a trimmer access hole in the package.

Voltage tuning also allows the designer to configure different digital methods to adjust the frequency of the device electronically without actually requiring human interface with the device.

The low power of the M6049/M6050 devices also makes it a good choice for low power, or "green" applications requiring a high degree of power management.

M6049/M6050 Series HCMOS/Clipped Sinewave Precision TCXO/TCVCXO 14 Pin DIP, 3.3 & 5.0 Volt

Product Features

- Tight stability (0.5 ppm)
- 3.3 V and 5.0 V versions
- Wide frequency range 8-52 MHz
- Low phase noise



Product Description

MtronPTI's M6049/M6050 series of TCXO and TCVCXO's provide design engineers with a high stability in a reliable standard 14-DIP through-hole device. Tight stability of ± 0.5 ppm is achievable utilizing MtronPTI's unique crystal compensation technology. Excellent phase noise (-152 dBc/Hz at 10kHz) is also exhibited by the M6049/M6050 series. HCMOS and clipped sine wave output types are available in frequencies from 8 MHz to 52 MHz.

Product Applications

The M6049/M6050 series is ideally suited for a wide range of applications such as SERDES, SONET, WiMAX, GSM, GPS, 3G & 4G, CDMA, Gig-E, and other wireless communications systems. The low power (< 10 mA) make the M6049/M6050 a good choice for use in battery back-up operated systems and other "green" related, power sensitive applications. The low phase noise allows the M6049/M6050 to be used as a reference oscillator for PLL circuits in RF synthesizers and digital transmission systems.

Product Ordering Information

Ordering Information	
	M6049 1 G A C D 00.0000 MHz
Product Series	M6049 = 3.3 V M6050 = 5.0 V
Temperature Range	1: 0°C to +70°C 8: 0°C to +50°C 2: -40°C to +85°C F: -30°C to +75°C 6: -20°C to +70°C
Stability	G: ± 0.5 ppm H: ± 2.5 ppm J: ± 1.0 ppm L: ± 4.6 ppm K: ± 2.0 ppm E: ± 10 ppm
Tuning Range (min)	A: ± 5 ppm C: ± 20 ppm B: ± 10 ppm X: No Voltage Control
Output Waveform	C: 45/55% HCMOS S: Clipped Sinewave
Package/Lead Configurations	D: 14 Pin Dip
Frequency (customer specified)	

MtronPTI reserves the right to make changes to the product(s) and service(s) described herein without notice. No liability is assumed as a result of their use or application.

Please see www.mtronpti.com for our complete offering and detailed datasheets. Contact us for your application specific requirements: MtronPTI 1-800-762-8800.

M6049/M6050 Series HCMOS/Clipped Sinewave Precision TCXO/TCVCXO
14 Pin DIP, 3.3 & 5.0 Volt

Performance Characteristics

	Parameter	Symbol	Min.	Typ.	Max.	Units	Conditions/Notes	
Electrical Specifications	Frequency Range	F _O	8		52	MHz		
	Operating Temperature	T _A	-40		+85	°C	See Ordering Information	
	Storage Temperature	T _{STG}	-55		+125	°C		
	Frequency Tolerance @ +25°C		-1.0		+1.0	ppm	For TCXO only	
	Frequency Stability						See Ordering Information	
	Stability Vs. Reflow		-1.0		+1.0	ppm		
	Frequency Vs. Supply			±0.2		ppm	For 10% supply voltage variation	
	Frequency Vs. Load			±0.2		ppm	For 10% load variation	
	Aging (First Year)		-1.0		+1.0	ppm	F _o ≤ 20 MHz	
	Aging (First Year)		-2.0		+2.0	ppm	F _o ≥ 20 MHz	
	Aging (10 Year)		-3.0		+3.0	ppm	F _o ≤ 20 MHz (Includes first year)	
	Aging (10 Year)		-5.0		+5.0	ppm	F _o ≥ 20 MHz (Includes first year)	
	Supply Voltage (V _S)		-5.0		+5.0	%	See Ordering Information	
	Supply Current (I _D)			2.2	3.3	mA	HCMOS output at 13 MHz	
				3.5	5.0	mA	HCMOS output at 26 MHz	
				6.0	9.2	mA	HCMOS output at 52 MHz	
	Output Logic Levels (HCMOS)	V _{OL} V _{OH}	80		20	%V _S %V _S	I _{OH} /I _{OL} = ± 4 mA, V _S = +3.0 V I _{OH} /I _{OL} = ± 4 mA, V _S = +3.0 V	
	Output Logic Levels (Clipped Sinewave)	V _{OL} V _{OH}	1.0 0.8			V _{pk-pk} V _{pk-pk}	F _o ≤ 40 MHz F _o > 40 MHz	
	Waveform Symmetry		45		55	%	Ref. to ½ V _S HCMOS only	
	Rise/Fall Time				8	ns	Ref. 10% to 90%. HCMOS only	
	Output Load			15		pF	HCMOS output	
	Frequency Adjustment		See Ordering Information					Over Control Voltage Range
	Control Voltage Range		0.3		3.0	Volts	For V _S = 3.3 V	
			0.5		4.5	Volts	For V _S = 5.0 V	
	Input Leakage Current		-50		+50	µA	Pin 1	
	Input Resistance		100			Kohm	Pin 1	
Linearity				10	%			
Modulation Bandwidth		10			KHz	Pin 1, 20 MHz, min pull of ±10 ppm		
Phase Noise (Typical 10 MHz CMOS)			-95		dBc/Hz	10 Hz Offset		
			-125		dBc/Hz	100 Hz Offset		
			-145		dBc/Hz	1 KHz Offset		
			-152		dBc/Hz	10 KHz Offset		
			-155		dBc/Hz	100 kHz Offset		
Environmental	Shock	MIL-STD-202, Method 213, Condition C					100 g	
	Vibration	MIL-STD-202, Methods 201 & 204					10 g from 10 to 2000 Hz	
	Solderability	EIAJ-STD-002						
	Package	14 Pin Dip					RoHS Compliant	

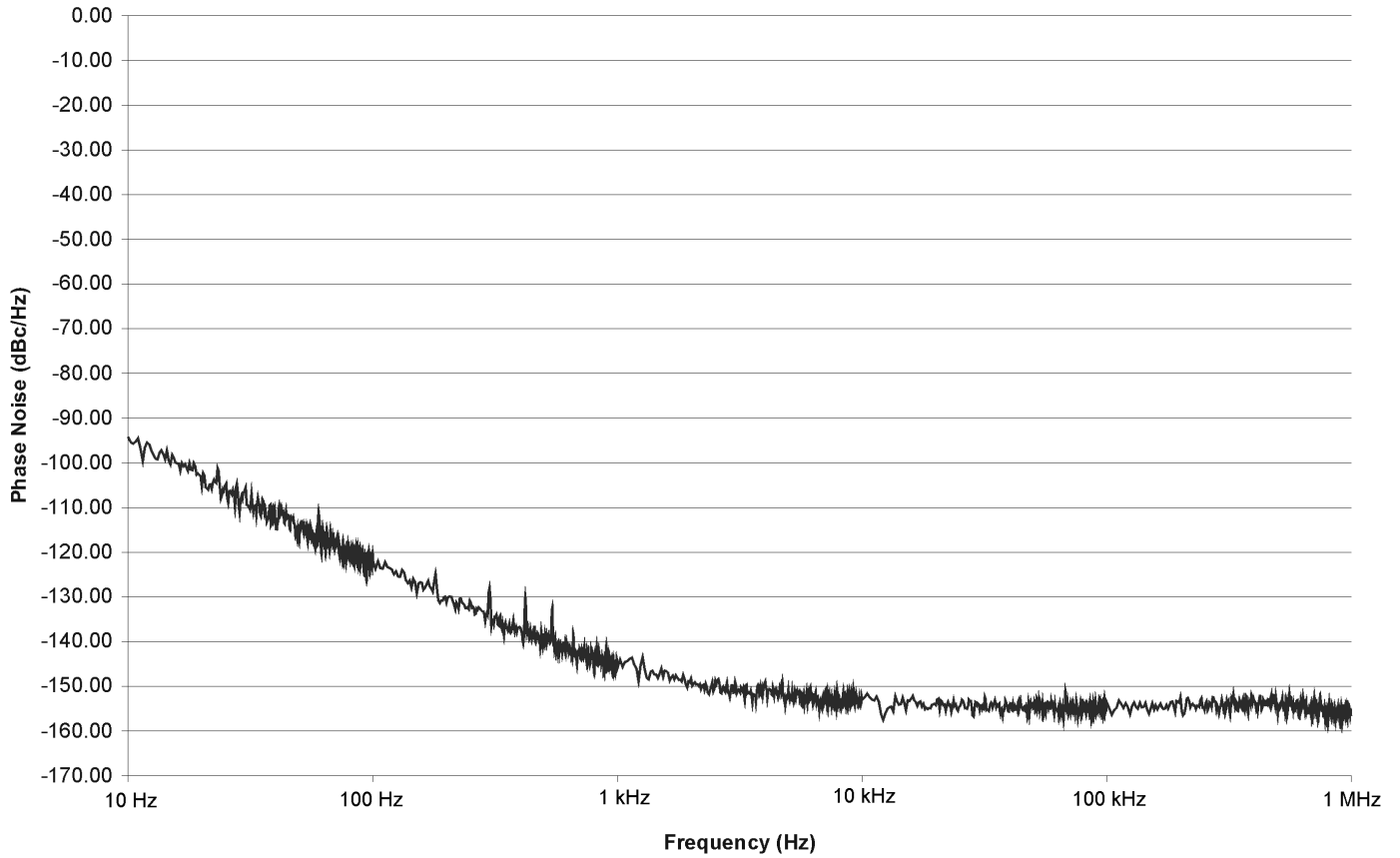
HCMOS Load – see load circuit diagram #2. Clipped Sinewave Load – see load circuit diagram #7.

MtronPTI reserves the right to make changes to the product(s) and service(s) described herein without notice. No liability is assumed as a result of their use or application.

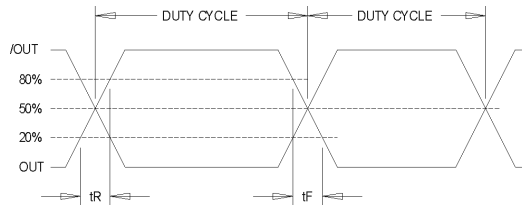
Please see www.mtronpti.com for our complete offering and detailed datasheets. Contact us for your application specific requirements: MtronPTI 1-800-762-8800.

M6049/M6050 Series HCMOS/Clipped Sinewave Precision TCXO/TCVCXO
14 Pin DIP, 3.3 & 5.0 Volt

Phase Noise Plot



Output Waveform

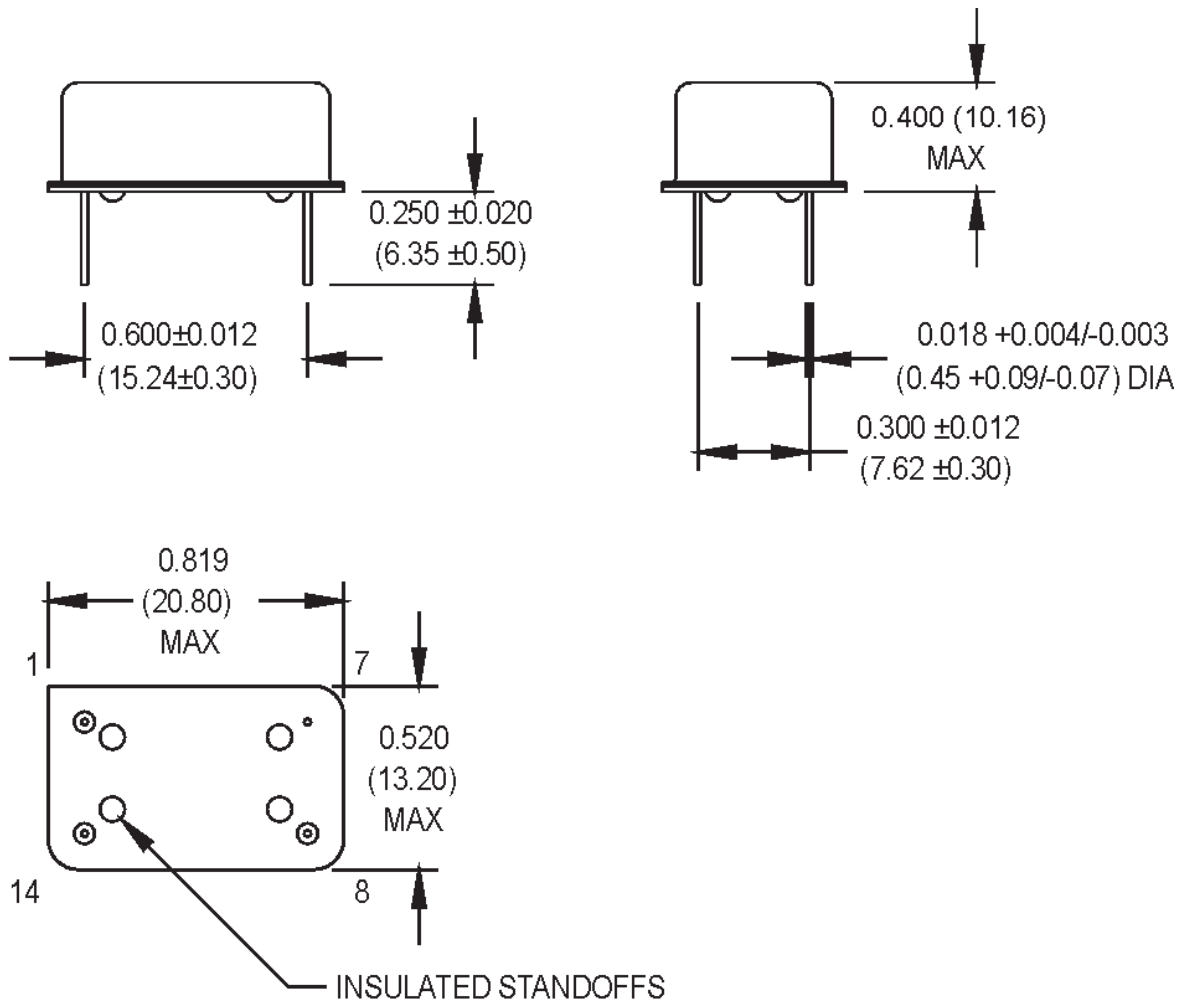


MtronPTI reserves the right to make changes to the product(s) and service(s) described herein without notice. No liability is assumed as a result of their use or application.

Please see www.mtronpti.com for our complete offering and detailed datasheets. Contact us for your application specific requirements: MtronPTI 1-800-762-8800.

M6049/M6050 Series HCMOS/Clipped Sinewave Precision TCXO/TCVCXO
 14 Pin DIP, 3.3 & 5.0 Volt

Product Dimension & Pinout Information



All dimensions
in inches (mm).

MtronPTI reserves the right to make changes to the product(s) and service(s) described herein without notice. No liability is assumed as a result of their use or application.

Please see www.mtronpti.com for our complete offering and detailed datasheets. Contact us for your application specific requirements: MtronPTI 1-800-762-8800.

M6049/M6050 Series HCMOS/Clipped Sinewave Precision TCXO/TCVCXO 14 Pin DIP, 3.3 & 5.0 Volt

Handling Information

Although protection circuitry has been designed into the M6049/M6050 oscillator, proper precautions should be taken to avoid exposure to electrostatic discharge (ESD) during handling and mounting. MtronPTI utilizes a human-body model (HBM) and a charged-device model (CDM) for ESD-susceptibility testing and protection design evaluation. ESD voltage thresholds are dependent on the circuit parameters used to define the mode. Although no industry-wide standard has been adopted for the CDM, a standard HBM (resistance = 1500 Ω, capacitance = 100 pF) is widely used and therefore can be used for comparison purposes. The HBM ESD threshold presented here was obtained using these circuit parameters.

Model	ESD Threshold, Minimum	Unit
Human Body	1500*	V
Charged Device	1500*	V

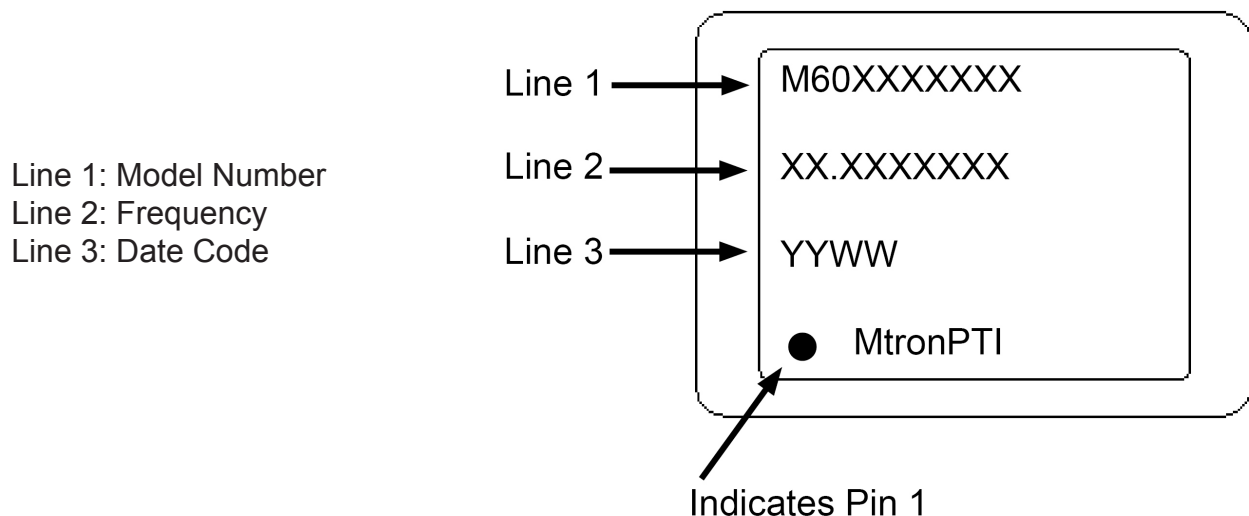
* MIL-STD-883D, Method 3015, Class 1



Quality Parameters

Environmental Specifications/Qualification Testing Performed on the M6049/M6050 TCXO/TCVCXO		
Test	Test Method	Test Condition
Electrical Characteristics	Internal Specification	Per Specification
Frequency vs. Temperature	Internal Specification	Per Specification
Mechanical Shock	MIL-STD-202, Method 213, C	100 g, 6 ms
Vibration	MIL-STD-202, Method 201-204	10 g from 10-2000 Hz
Thermal Cycle	MIL-STD-883, Method 1010, B	-55 Deg. C to +125 Deg. C, 15 minute Dwell, 10 cycles
Aging	Internal Specification	168 Hours at 105 Degrees C
Gross Leak	MIL-STD-202, Method 112	30 Second Immersion
Fine Leak	MIL-STD-202, Method 112	Must meet 1x10 ⁻⁵
Solderability	MIL-STD-883, Method 2003	8 Hour Steam Age – Must Exhibit 95% coverage
Resistance to Solvents	MIL-STD-883, Method 2015	Three 1 minute soaks
Terminal Pull	MIL-STD-883, Method 2004, A	2 Pounds
Lead Bend	MIL-STD-883, Method 2004, B1	1 Bending Cycle
Physical Dimensions	MIL-STD-883, Method 2016	Per Specification
Internal Visual	Internal Specification	Per Internal Specification

Part Marking Guide



MtronPTI reserves the right to make changes to the product(s) and service(s) described herein without notice. No liability is assumed as a result of their use or application.

Please see www.mtronpti.com for our complete offering and detailed datasheets. Contact us for your application specific requirements: MtronPTI 1-800-762-8800.

M6049/M6050 Series HCMOS/Clipped Sinewave Precision TCXO/TCVCXO
14 Pin DIP, 3.3 & 5.0 Volt

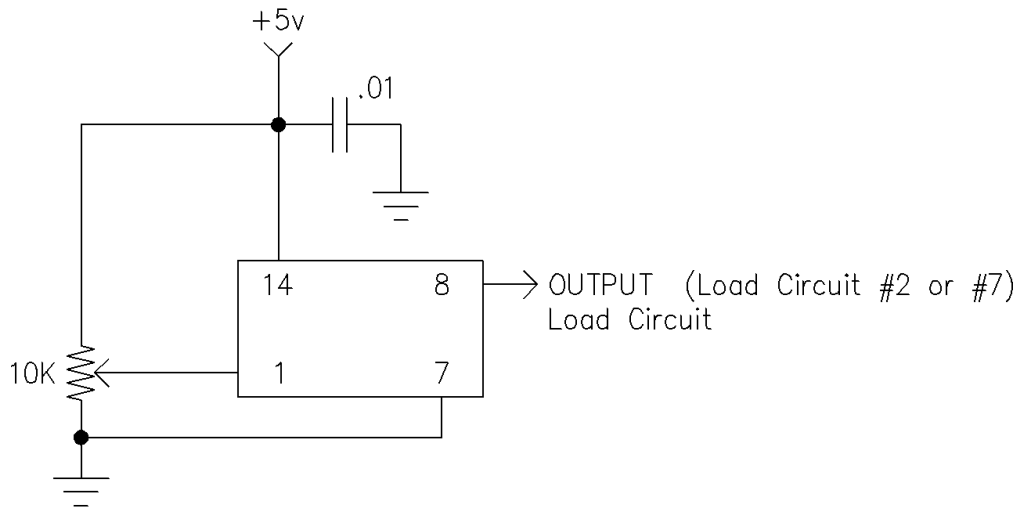
Maximum Soldering Conditions

Typical solder conditions for through hole crystals and oscillators:
Per MIL-STD-202, Method 210 "Resistance to Soldering Heat", Condition C

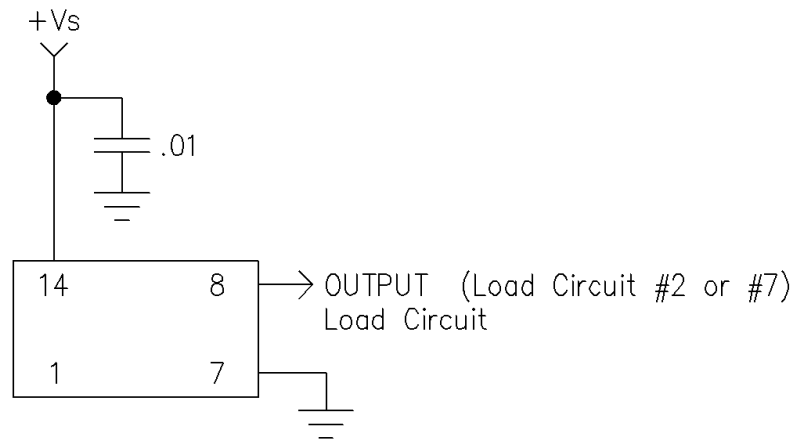
Wave solder with a solder bath temperature of $260^{\circ}\text{C} \pm 5^{\circ}\text{C}$ and an exposure time of 10 ± 1 second. Preheat $1\text{-}4^{\circ}\text{C/s}$ to within 100°C of solder temperature (25 ± 6 mm/s).

Note: Exceeding these limits may damage the device.

Typical Test Circuits



Voltage Tune Option (TCVCXO)



Non-Voltage Tune Option (TCXO)

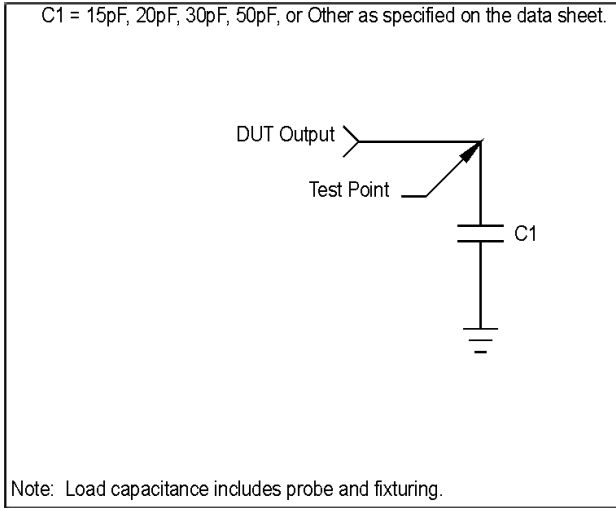
MtronPTI reserves the right to make changes to the product(s) and service(s) described herein without notice. No liability is assumed as a result of their use or application.

Please see www.mtronpti.com for our complete offering and detailed datasheets. Contact us for your application specific requirements: MtronPTI 1-800-762-8800.

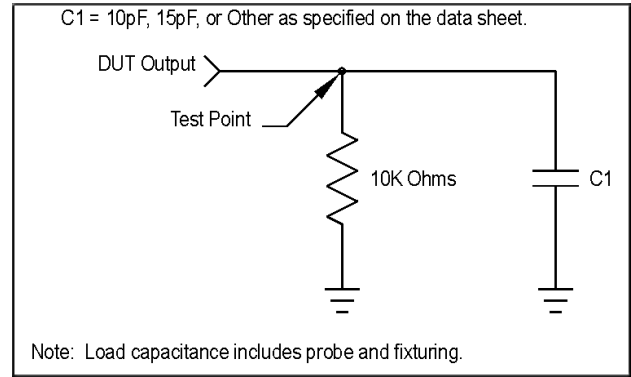
M6049/M6050 Series HCMOS/Clipped Sinewave Precision TCXO/TCVCXO
 14 Pin DIP, 3.3 & 5.0 Volt

Load Circuit Diagrams

Load Circuit #2 - HCMOS



Load Circuit #7 - Clipped Sinewave TCXO/TCVCXO



Product Revision Table

Date	Revision	PCN Number	Details of Revision

For custom products or additional specifications contact our sales team at
800.762.8800 (toll free) or 605.665.9321

For more information on this product visit the MtronPTI website at
www.mtronpti.com

MtronPTI reserves the right to make changes to the product(s) and service(s) described herein without notice. No liability is assumed as a result of their use or application.

Please see www.mtronpti.com for our complete offering and detailed datasheets. Contact us for your application specific requirements: MtronPTI 1-800-762-8800.

M6049/M6050 Series HCMOS/Clipped Sinewave Precision TCXO/TCVCXO
14 Pin DIP, 3.3 & 5.0 Volt



Yankton

PO Box 630
Yankton, SD 57078-0630 USA
Phone: 605-665-9321
Toll Free: 800-762-8800
Fax: 605-665-1709
Email: SalesYKT@mtronpti.com

Orlando

2525 Shader Rd
Orlando, FL 32804 USA
Phone: 407-298-2000
Fax: 407-293-2979
Email: SalesORL@mtronpti.com

Connecticut

755 Main Street
Suite 2B, Building 2
Monroe, CT 06470 USA
Phone: 800.762.8800
Fax: 203.452.9435
Email: MilSales@mtronpti.com

Santa Clara

1495 Franklin Street
Santa Clara, CA 95050 USA
Phone: 408.395.0700
Fax: 408.395.8074
Email: SalesCA@mtronpti.com

Europe

The Netherlands
Phone: 31-40-368-6818
Fax: 011-31-40-368-3501
Email: SalesEU@mtronpti.com

Asia Pacific

1104 Shanghai Industrial
Investment Building
48-62 Hennessy Road
Wanchai, Hong Kong, China
Phone: 852-2866-8023
Fax: 852-2529-1822
Email: SalesHK@mtronpti.com

MtronPTI reserves the right to make changes to the product(s) and service(s) described herein without notice. No liability is assumed as a result of their use or application.

Please see www.mtronpti.com for our complete offering and detailed datasheets. Contact us for your application specific requirements: MtronPTI 1-800-762-8800.