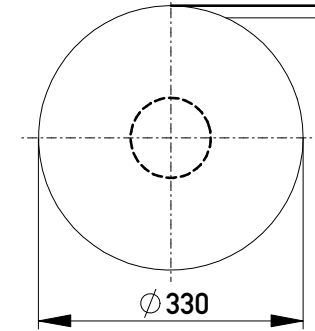
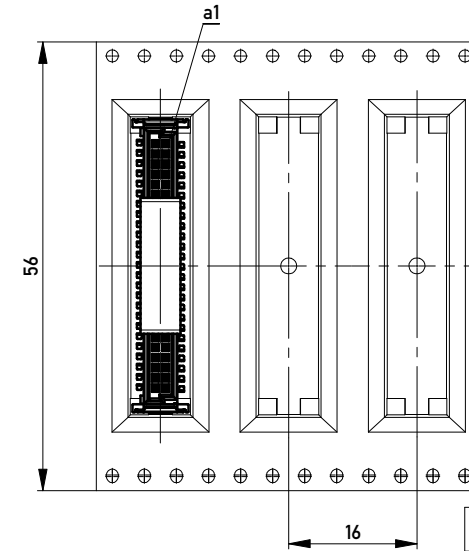


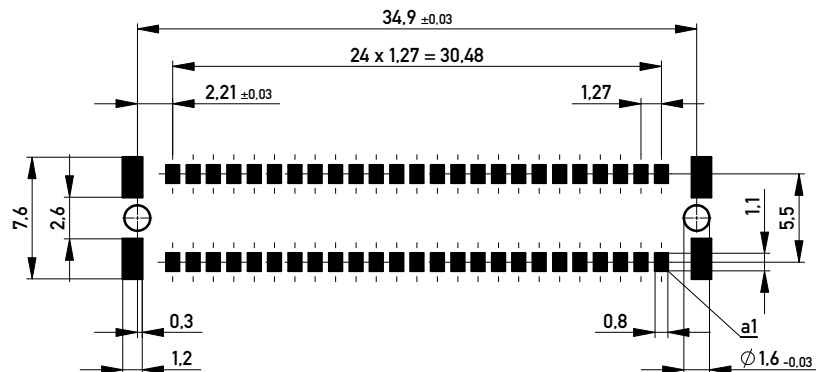
Verpackt in Gurtverpackung  
Tape on Reel Packaging  
Verpackungseinheit: 280 Stück  
Packaging unit: 280 pcs



Abspulrichtung - Reel off Direction



Leiterplatten-Layout Vorschlag für SMT  
PCB-Layout Proposal for SMT



Anforderungsstufe 1  
Performance Level 1

Kontaktbereich vergoldet  
Mating Area gold plating

Anschlussbereich verzinkt 4-6 µm  
Terminal Area 4-6 µm tin plating

Koplanarität der Anschlüsse ≤ 0,1 mm  
Coplanarity Area of Termination ≤ 0,1 mm

BA 7-13 - 8mm Bauhöhe  
type 7-13 - Low Profile

Information:	Tolerances	 All Dimensions in mm	Scale	3:1
	All rights reserved. Only for Information. To ensure that this is the latest version of this drawing, please contact one of the ERNI companies before using.		Designation <b>Messrl. SMC-Q 50-SMD-BA7-13</b> <b>Male SMC-Q 50-SMD-type7-13</b>	
Subject to modification without prior notice. Drawing will not be updated.		 www.ERNI.com		101200100001
e	24.09.2013	Class		SMCQ
Index	Date			K A3

Copyright by ERNI GmbH  
Proprietary notice pursuant to ISO 16100 to be observed.