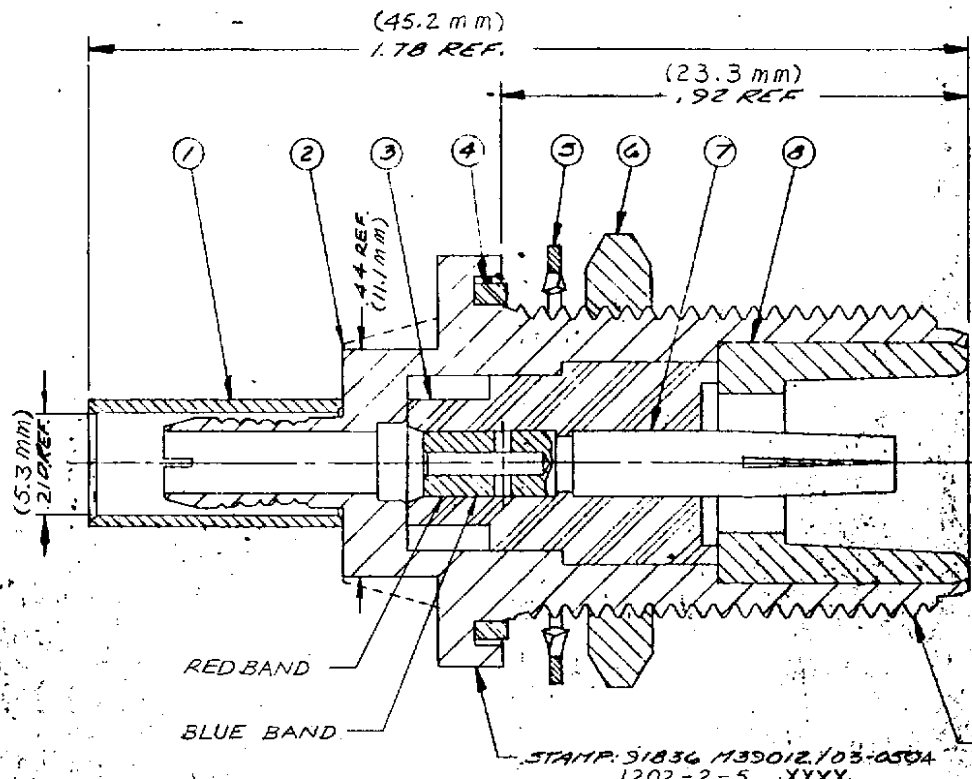
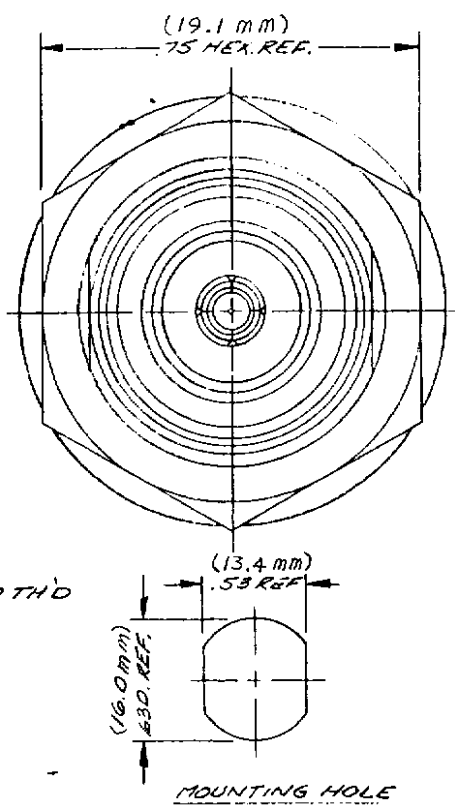


DASH NO.	DESCRIPTION	MADE FROM
----------	-------------	-----------



- NOTE 5:
- FOR USE WITH M17/028-RG058 CABLE.
 - FOR CABLING INSTRUCTIONS SEE CP-489.
 - FOR CABLE TRIMMING USE KTJ-162 & KTD-208.
 - FOR FORMING USE CRIMP DIE SIZE 42.
 - ITEM ⑦ TO BE SUPPLIED UNASSEMBLED.
 - FOR USE WITH .324 MAX. PANEL.

DATE CODE



M39012/03-0504

S-D

REVISIONS	
ISSUE	CHANGES
0	RESTRICTED USAGE ER 29144 KH 13OCT87
1	CN 29715 E RESTRICTION REMOVED AJ 3MAY 88
2	CN 32243 A LNM 1 JUN 90

1202-2-5	
USED ON:	
REF:	
FINISH:	
SPEC:	
MATL:	
SPEC:	
N BULK HEAD JACK	
DRAWN KH	DATE 13OCT87
APPR. [Signature]	DATE 16OCT87
KINGS ELECTRONICS 40 MARSDALE ROAD TUCKAHOE, N. Y. 10707	
M39012/03-0504	

UNLESS OTHERWISE SPECIFIED:

- | | |
|--|--|
| 1. TOLERANCES: FRACTIONS & 2 PLACE DECIMALS ± .010 | 2. REMOVE ALL BURRS. BREAK SHARP EDGES .005 MAX. |
| 3 PLACE DECIMALS ± .004 | 3. NO FILLETS PERMITTED. |
| 7.5 R. CONCENTRICITY OF ANY 2 DIAMETERS MAY NOT EXCEED HALF THE SUM OF THEIR TOLERANCES. | 4. SURFACE ROUGHNESS 63 MICRONS RMS MAX. |
| | 5. ALL DIMENSIONS PRIOR TO PLATING. |

ITEM	REQ'D	DESCRIPTION	PART NO.
9	1	CABLING INSTRUCTIONS	N-59-242-4-M88
8	1	BUSHING	
7	1	NON-CARTIVE CRIMP CONTACT F	1-534-82M9D
6	1	HEX NUT	704-4-M07
5	1	LOCKWASHER	30C-6-M07
4	1	GASKET	631-8-M99
3	1	INSULATOR	
2	1	K-GRIP BODY	
1	1	K-GRIP SLEEVE	1-9690-1M07