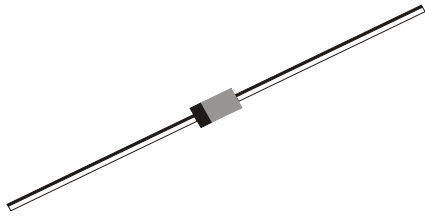


SILICON GLASS PASSIVATED 1.5 WATT ZENER DIODES

1N4477

**DO-41
Glass Axial Package**



Use in Automotive, Industrial, Commercial Entertainment and Computer Applications

ABSOLUTE MAXIMUM RATINGS

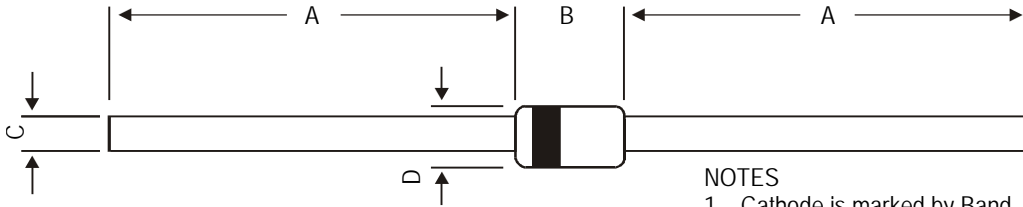
DESCRIPTION	SYMBOL	VALUE	UNIT
V _Z Tolerances		±5.0	%
Power Dissipation at T _a =25°C	P _D	1.5	W
Operating Temperature	T _j	- 65 to +175	°C
Storage Temperature	T _{stg}	- 65 to +200	°C
Thermal Resistance Junction to Lead at 3/8" (10mm) from body	T _L	42	°C/W
Thermal Impedance		4.5	°C/W

ELECTRICAL CHARACTERISTICS T_a=25°C V_F <1.2V at 200mA and <1.5V at 1.0A

Device #	Nominal Zener Voltage V _Z (V)	Test Current I _{ZT} (mA)	Maximum Dynamic Impedance Z _{ZT} at I _{ZT} (W)	Maximum Knee Impedance Z _{ZK} at I _{ZK}		Maximum Reverse Current I _R at V _R		Maximum Continuous Current I _{ZM} (mA)	Maximum Surge Current I _{ZSM} at T _a =25°C Amps
				(W)	(mA)	(mA)	(V)		
1N4477	33	7.5	25	800	0.25	0.05	26.4	43	0.43

1N4477REV040506E

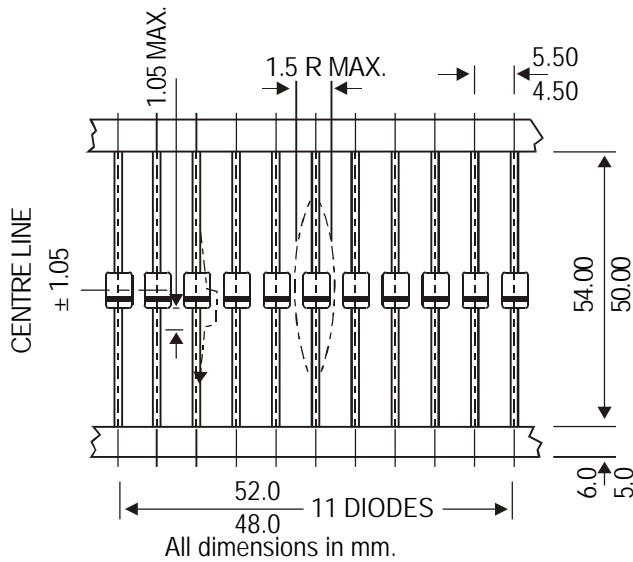
DO-41 Glass Axial Package



DIM	MIN	MAX
A	27.90	—
B	4.06	5.51
C	0.71	0.87
D	2.03	2.72

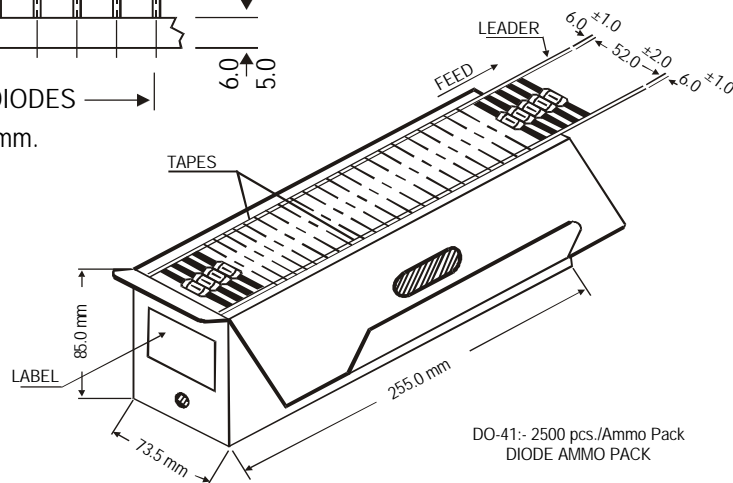
- NOTES
1. Cathode is marked by Band.
 2. All dimensions are in mm.

DO-41, 52mm Taping Specification



52 mm Taping Specification

1. T & A indicates Axil Tape & Ammo packing (52 mm Tape Spacing).
2. 300 mm (min) leader tape on every spool.
3. No. of empty places allowed 0.25% without consecutive empty places.
4. Ends of leads shall preferably not protrude beyond the tapes.
5. Components shall be held sufficiently in the tape or tapes so that they can not come free in normal handling.



DO-41:- 2500 pcs./Ammo Pack
DIODE AMMO PACK

On request also available in 26 mm Tape and Ammo Pack

Packing Detail

PACKAGE	STANDARD PACK		INNER CARTON BOX		OUTER CARTON BOX		
	Details	Net Weight/Qty	Size	Qty	Size	Qty	Gr Wt
DO-41 T&A	2.5K/ammo box	1.04 kg/2.5K pcs	10" x 3.5" x 3.5"	2.5K	12.7" x 12.7" x 20"	62.5K	30 kgs

Component Disposal Instructions

1. CDIL Semiconductor Devices are RoHS compliant, customers are requested to please dispose as per prevailing Environmental Legislation of their Country.
2. In Europe, please dispose as per EU Directive 2002/96/EC on Waste Electrical and Electronic Equipment (WEEE).

Disclaimer

The product information and the selection guides facilitate selection of the CDIL's Semiconductor Device(s) best suited for application in your product(s) as per your requirement. It is recommended that you completely review our Data Sheet(s) so as to confirm that the Device(s) meet functionality parameters for your application. The information furnished in the Data Sheet and on the CDIL Web Site/CD is believed to be accurate and reliable. CDIL however, does not assume responsibility for inaccuracies or incomplete information. Furthermore, CDIL does not assume liability whatsoever, arising out of the application or use of any CDIL product; neither does it convey any license under its patent rights nor rights of others. These products are not designed for use in life saving/support appliances or systems. CDIL customers selling these products (either as individual Semiconductor Devices or incorporated in their end products), in any life saving/support appliances or systems or applications do so at their own risk and CDIL will not be responsible for any damages resulting from such sale(s).

CDIL strives for continuous improvement and reserves the right to change the specifications of its products without prior notice.



CDIL is a registered Trademark of
Continental Device India Limited

C-120 Naraina Industrial Area, New Delhi 110 028, India.
Telephone + 91-11-2579 6150, 4141 1112 Fax + 91-11-2579 5290, 4141 1119
email@cdil.com www.cdilsemi.com