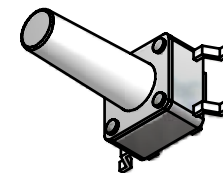
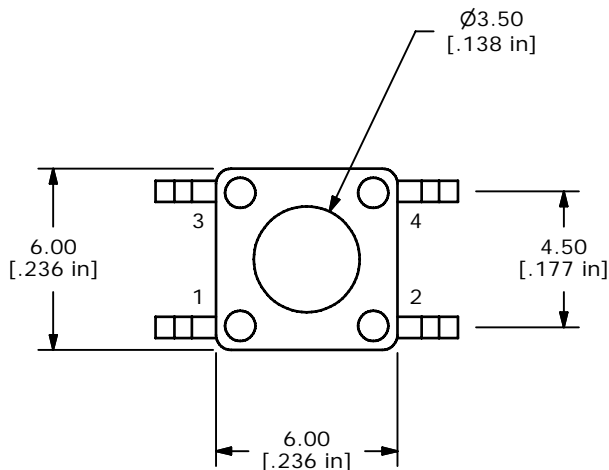
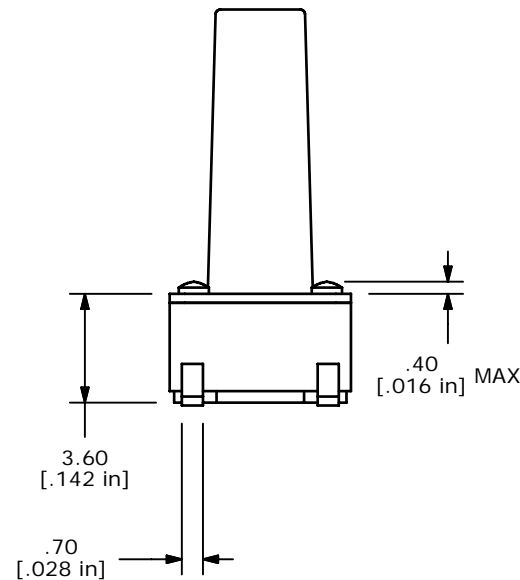
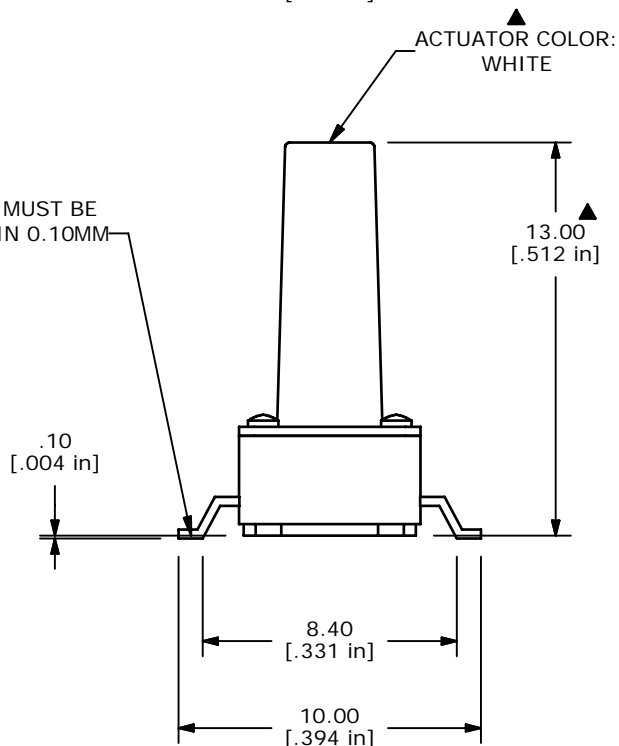


▲ CIRCUIT: SPST

- NOTES:
1. ALL DIMENSIONS IN MM
 2. GENERAL TOLERANCE: X.X=±0.4
X.XX=±0.25
 3. TERM. NOS. FOR REFERENCE ONLY.
 4. RATING: 12VDC, 50mA
 5. OPERATING FORCE: 260 ± 50 gms
 6. TRAVEL: 0.25mm ±0.1
 7. CONTACT RESISTANCE: 100 MILLI OHMS MAX. (INITIAL)
 8. MECHANICAL/ELECTRICAL LIFE 100,000 CYCLES MIN.
 9. SILVER CONTACTS
 10. ▲ DENOTES CRITICAL PARAMETER
 11. 2002/95/EC (ROHS) COMPLIANT.
 12. PACKAGING: TAPE AND REEL, 300 PIECES PER REEL



▲ ALL TERMINALS MUST BE COPLANAR WITHIN 0.10MM TOTAL



TITLE TL3301DF260QG				
SCALE	DATE 10/1/2012	DR rc	DWG J100614	REV A

A	20795	NEW RELEASE	10/1/12	rc
REV	PCR NO	DESCRIPTION	DATE	BY
<small>THE INFORMATION CONTAINED IN THIS DOCUMENT IS PROPRIETARY TO E-SWITCH AND IS NOT TO BE COPIED OR TRANSFERRED</small>				