

FEATURES

- DOUBLE LAYER CONSTRUCTION
- HIGH CURRENT DISCHARGE (UP TO 50mA)
- IDEAL AS MEMORY BACK-UP POWER SUPPLY
- SUITABLE FOR FLOW SOLDERING
- LEAD-FREE FINISH

RoHS Compliant
includes all homogeneous materials

*See Part Number System for Details



CHARACTERISTICS

Rated Voltage Range	5.5 ~ 12VDC	
Rated Capacitance Range	0.022F ~ 5.0F (22,000µF ~ 5,000,000µF)	
Operating Temp. Range	-25°C ~ +70°C	
Capacitance Tolerance	+80%/-20% (Z)	
Load Life Test @ 70°C 1,000 hours	Δ Capacitance Change	5.5V Parts - Less than ±15% of initial measured value Others ±30% of initial measured value
	Maximum ESR	Less than 200% of the specified maximum value
	Current at 30 minutes	Less than 200% of the specified maximum value
Temperature Cycling (5 cycles, -25 ~ +70°C)	Δ Capacitance Change	Within +80%/-20% of specified value
	Maximum ESR	Less than specified maximum value
	Current at 30 minutes	Less than specified maximum value
Humidity Resistance (240 hours @ 40°C/90% RH)	Δ Capacitance Change	5.5V Parts - Less than ± 10% of initial measured value Others ± 20% of initial measured value
	Maximum ESR	Less than 120% of the specified maximum value
	Current at 30 minutes	Less than 120% of the specified maximum value

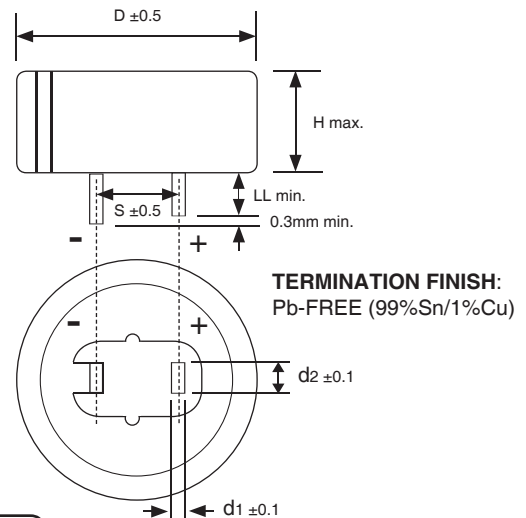
Super Capacitor
Application Guide

STANDARD VALUES AND SPECIFICATIONS

NIC P/N	Capacitance Value (F)		Voltage (VDC)	Max. Current @ 30 minutes (mA)	Max. ESR @ 1KHz (Ω)	Typical DCR (Ω)
	Charge	Discharge				
NEXS223Z5.5V11.5X8.5F	0.022	0.033	5.5	0.033	60	51
NEXS473Z5.5V13X8.5F	0.047	0.072	5.5	0.071	40	18
NEXS104Z5.5V16.5X8.5F	0.100	0.150	5.5	0.150	25	11
NEXS224Z5.5V16.5X13F	0.220	0.330	5.5	0.330	25	9
NEXS474Z5.5V21.5X13F	0.470	0.750	5.5	0.710	13	4.2
NEXS474Z11V28.5X25.5F	0.470	0.600	11	1.410	7.0	3.4
NEXS105Z5.5V28.5X14F	1.000	1.300	5.5	1.500	7.0	2.9
NEXS105Z11V28.5X31.5F	1.000	1.300	11	3.000	7.0	5
NEXS105Z12V28.5X38F	1.000	1.300	12	3.600	7.5	5
NEXS505Z12V44.8X60F	5.000	6.500	12	18.000	4.0	2

CASE DIMENSIONS (mm)

NIC P/N	DIMENSIONS (mm)					
	D	H	S	LL	d1	d2
NEXS223Z5.5V11.5X8.5F	11.5	8.5	5.08	2.7	0.4	1.2
NEXS473Z5.5V13X8.5F	13.0	8.5	5.08	2.2	0.4	1.2
NEXS104Z5.5V16.5X8.5F	16.5	8.5	5.08	2.7	0.4	1.2
NEXS224Z5.5V16.5X13F	16.5	13.0	5.08	2.7	0.4	1.2
NEXS474ZZ5.5V21.5X13F	21.5	13.0	7.62	3.0	0.6	1.2
NEXS474Z11V28.5X25.5F	28.5	25.5	10.16	6.1	0.6	1.4
NEXS105Z5.5V28.5X14F	28.5	14.0	10.16	6.1	0.6	1.4
NEXS105Z11V28.5X31.5F	28.5	31.5	10.16	6.1	0.6	1.4
NEXS105Z12V28.5X38F	28.5	38.0	10.16	6.1	0.6	1.4
NEXS505Z12V44.8X60F	44.8	60.0	20.00	9.5	1.0	1.4



PRECAUTIONS

WASHING is NOT RECOMMENDED. Additional guidelines and precautions can be found at www.niccomp.com/precautions
If in doubt or uncertainty, please review your specific application - process details with NIC's technical support personnel: tpmg@niccomp.com

