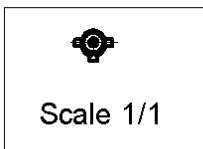
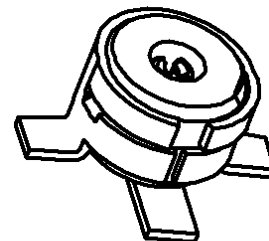
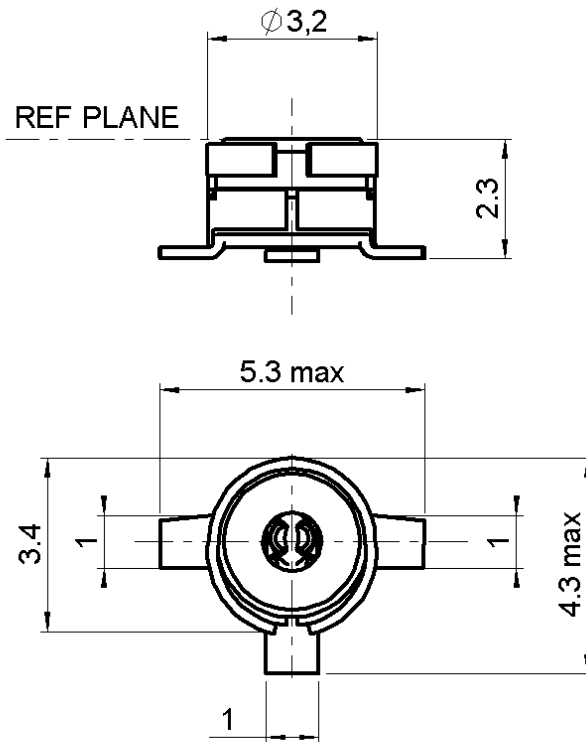


STRAIGHT FEMALE RECEPTACLE FOR PCB

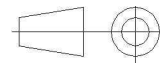
R209.408.052

SMT TYPE - REEL OF 500

Series : MMS



All dimensions are in mm.



| COMPONENTS | MATERIALS | PLATINGS (µm) |
|----------------|------------------|----------------------------|
| BODY | PHOSPHOR BRONZE | .GOLD 0.2 OVER NICKEL 2 |
| CENTER CONTACT | BERYLLIUM COPPER | GOLD 0.2 OVER TIN NICKEL 2 |
| OUTER CONTACT | PHOSPHOR BRONZE | .GOLD 0.2 OVER NICKEL 2 |
| INSULATOR | PTFE | |
| GASKET | - | |
| OTHERS PARTS | - | |
| - | - | |
| - | - | |

Issue : 0743 A

In the effort to improve our products, we reserve the right to make changes judged to be necessary.



STRAIGHT FEMALE RECEPTACLE FOR PCB

R209.408.052

SMT TYPE - REEL OF 500

Series : MMS

PACKAGING

SPECIFICATION

| Standard | Unit | Other |
|------------|------|-------------------|
| 500 | - | Contact us |

ELECTRICAL CHARACTERISTICS

| | | |
|---------------------------------|-------------------|--------------------------------|
| Impedance | 50 | Ω |
| Frequency | 0-6 | GHz |
| VSWR | * + 0,0000 | x F(GHz) Maxi |
| Insertion loss | ** | $\sqrt{F}(\text{GHz})$ dB Maxi |
| RF leakage | - (NA) | - F(GHz)) dB mini |
| Voltage rating | 50 | Veff Maxi |
| Dielectric withstanding voltage | 250 | Veff mini |
| Insulation resistance | 500 | M Ω mini |

ENVIRONMENTAL

| | | |
|-----------------------|-----------------|------------------------|
| Operating temperature | -40/+125 | $^{\circ}\text{C}$ |
| Hermetic seal | NA | Atm.cm ³ /s |
| Panel leakage | NA | |

OTHERS CHARACTERISTICS

Assembly instruction

Others :

*1.2 à 2GHz/Avg 1,07 **Max 0.07/Avg 0.06

MECHANICAL CHARACTERISTICS

| | | |
|----------------------------|---------------|-------------|
| Center contact retention | | |
| Axial force – Mating end | NA | N mini |
| Axial force – Opposite end | NA | N mini |
| Torque | NA | N.cm mini |
| Recommended torque | | |
| Mating | NA | N.cm |
| Panel nut | NA | N.cm |
| Mating life | 50 | Cycles mini |
| Weight | 0,1000 | g |

Issue : 0743 A

In the effort to improve our products, we reserve the right to make changes judged to be necessary.



STRAIGHT FEMALE RECEPTACLE FOR PCB

R209.408.052

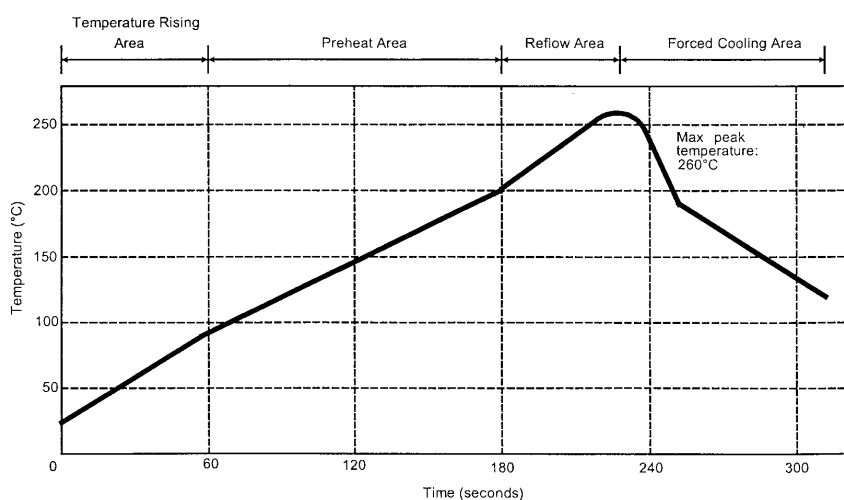
SMT TYPE - REEL OF 500

Series : MMS

SOLDER PROCEDURE

1. Deposit solder paste 'SnAg4Cu0.5' on mounting zone by screen printing application. We recommend a low residue flux.
We advise a thickness of 150 micromm (5.850 microinch). Verify that the edges of the zone are clean.
2. Placement of the receptacle on the mounting zone with an automatic machine of 'pick and place' type.
3. Soldering by infra-red reflow.
4. Cleaning of printed circuit boards.
5. Checking of solder joints and position of the component by visual inspection.

TEMPERATURE PROFILE



| Parameter | Value | Unit |
|----------------------------------|-----------|--------|
| Temperature rising Area | 1 - 4 | °C/sec |
| Max Peak Temperature | 260 | °C |
| Max dwell time @260°C | 10 | sec |
| Min dwell time @235°C | 20 | sec |
| Max dwell time @235°C | 60 | sec |
| Temperature drop in cooling Area | -1 to - 4 | °C/sec |
| Max dwell time above 100°C | 420 | sec |

Issue : 0743 A

In the effort to improve our products, we reserve the right to make changes judged to be necessary.

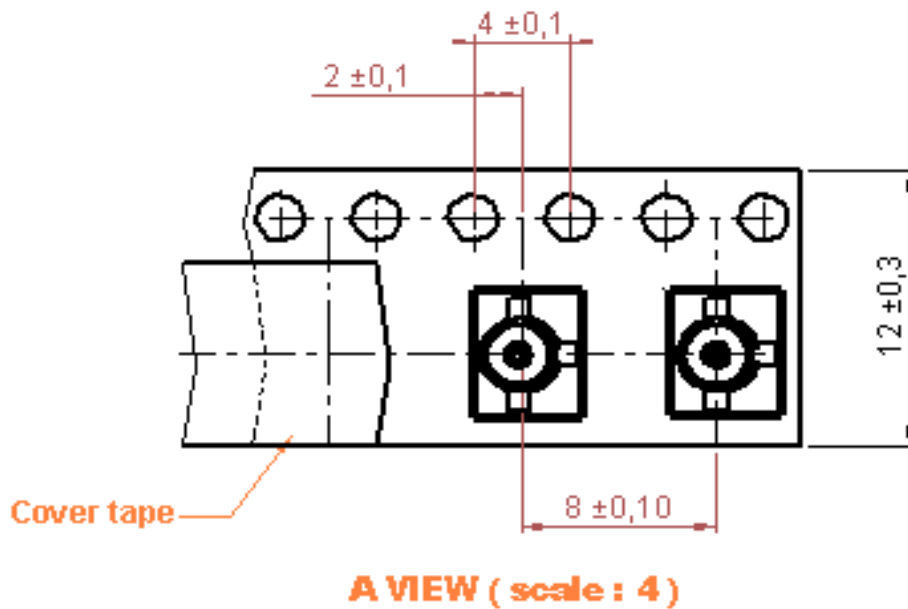
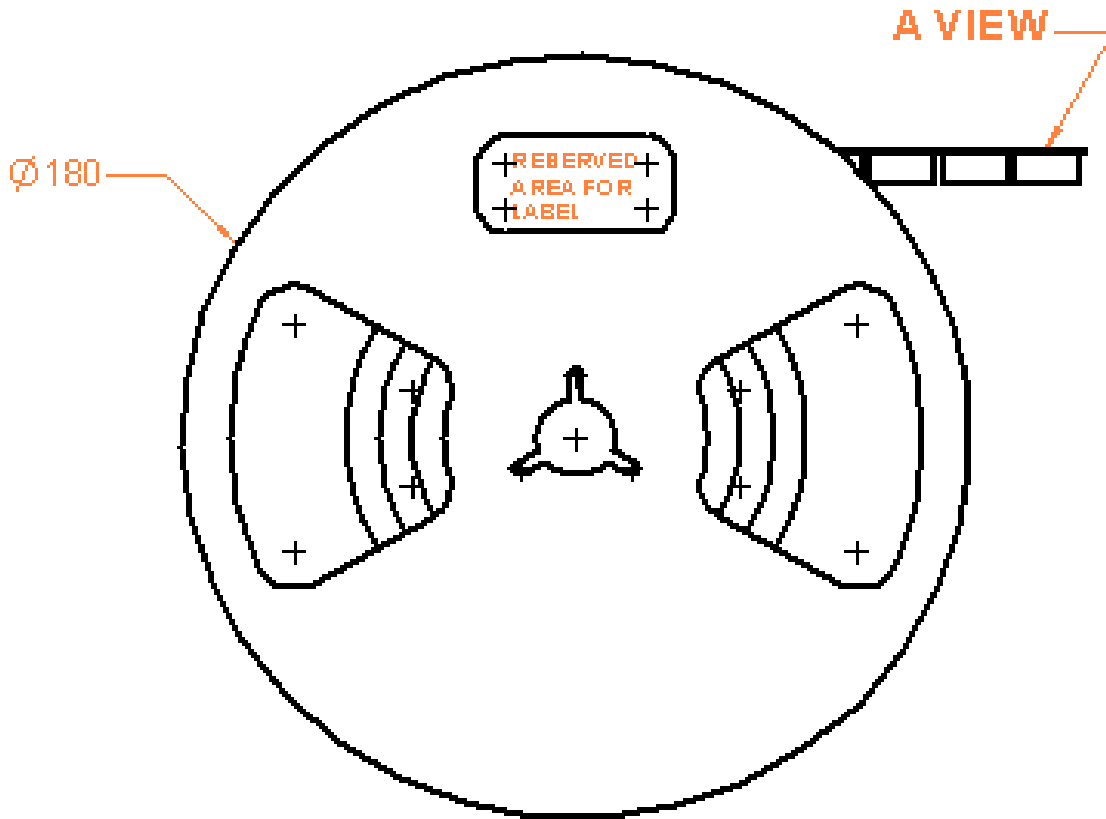


STRAIGHT FEMALE RECEPTACLE FOR PCB

R209.408.052

SMT TYPE - REEL OF 500

Series : MMS



Issue : 0743 A

In the effort to improve our products, we reserve the right to make changes judged to be necessary.

