

Model(型號): **ROTARY POTENTIOMETER-----S[X][X]511HB[X]**

► Download PDF file



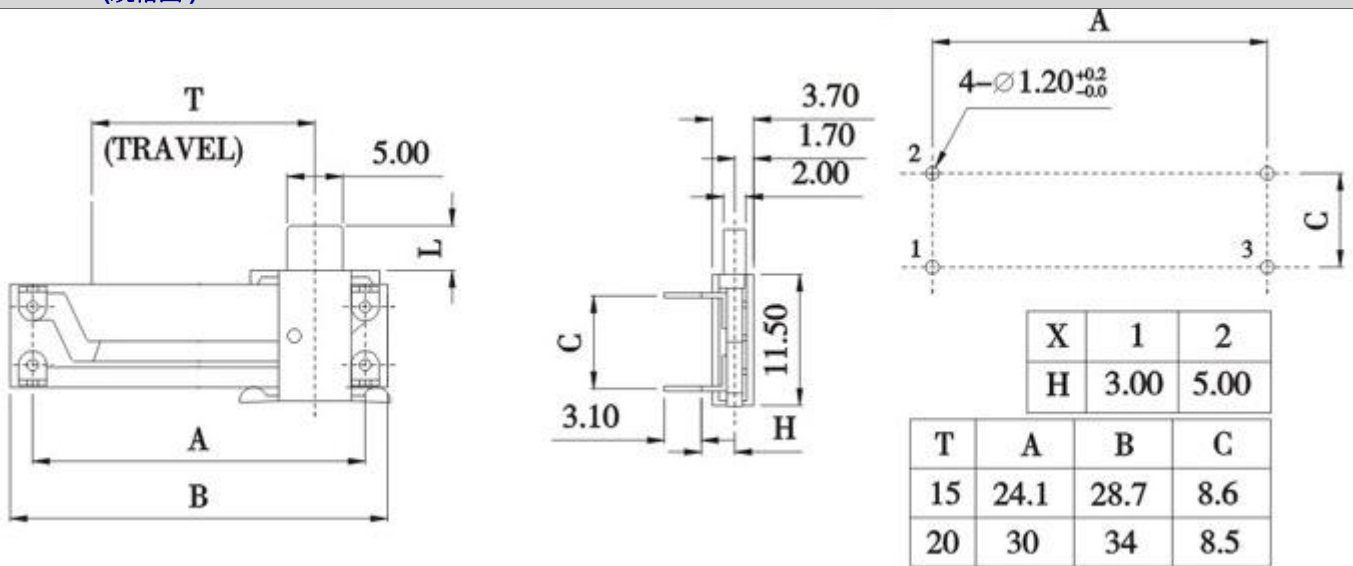
Features:(特點):

Excellent operational feeling;Clear click feeling for heat controllers Smooth and wet slide feeling for electronic musical instruments Low noise ,long operational life ,highly accurate attenuation

Applications(作用):

Fade control for popular type audio mixers, musical keyboards
Heat control or mose switching for car air conditioners
Measurement instruments

Dimensions(規格圖):



Specifications(規格)

Electrical Characteristics [電氣性能]

Total resistance [全阻抗值]	100Ω ~ 1MΩ
Total resistance tolerance [全阻抗值容許差]	±20%
Ratings power(w) [額定功率]	Travel 20mm B Single 0.1W,Dual 0.05W Except B single 0.05W,Dual 0.025W
Resistance taper [阻抗變化特性]	A,B,*C,D,W
Residual resistance(1-2/2-3) [殘留阻值]	10/20 Max.
	30/50 Max.
	50/70 Max.
	100/120 Max.
	200/220 Max.
300/320 Max.	
Sliding noise [滑動雜音]	Single unit: 100mV Max,Dual unit: 150mV Max
Insulation resistance [絕緣阻抗]	10MΩ Min. at DC 250V.
Withstanding voltage [耐電壓]	1 minute at AC 250V
Max. operating voltage [最高使用電壓]	B 200V , Except B 150V
Cang error:[運動誤差]	Volume[音量] -40dB ~0dB±3dB Max
	Tone [音質] ±3dB Max. at 50% position.

Mechanical Characteristics [機械性能]

Operation torque [滑動力矩]	10~200gf.cm
Click slip out torque[掣子脫出力矩]	30~350gf.cm
Lever wobble[推柄搖晃]	2(2xL)/20mm Max. L=length of level
Lever push-pull strength[推拉強度]	3.0Kgf. cm Max. at 5 sec.

Endurance Characteristics [耐久性能]

Rotational life [回轉壽命]	More than 10,000 cycles
--------------------------	-------------------------