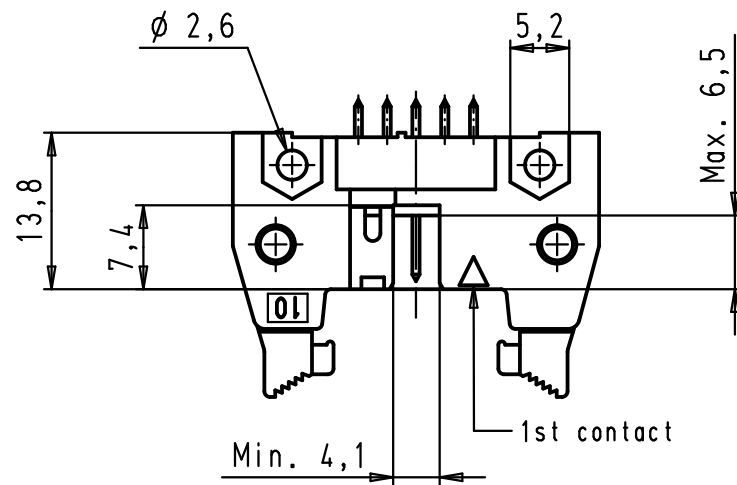
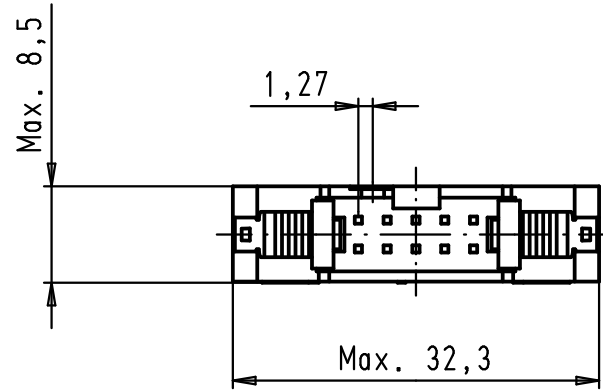
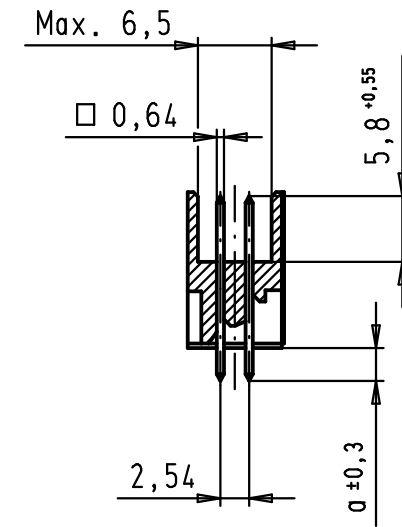
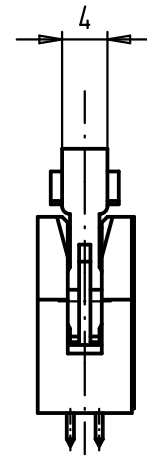
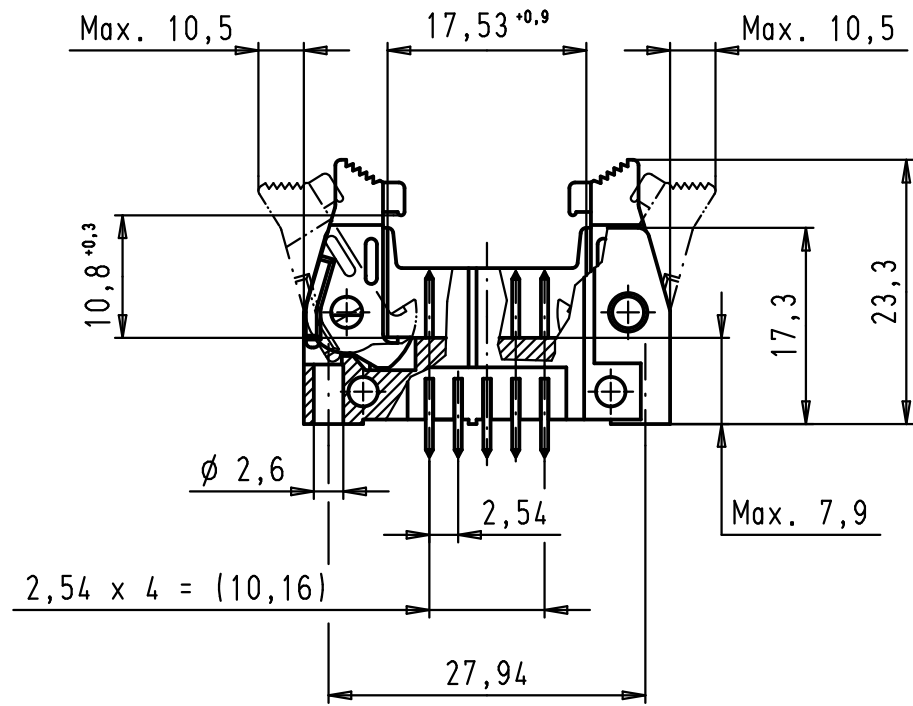
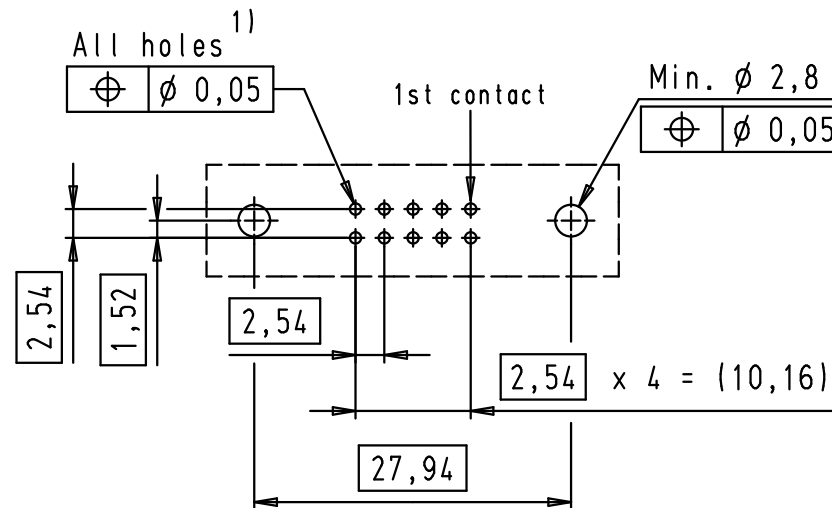


Alle Rechte vorbehalten/ All rights reserved

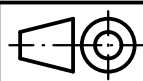



PCB layout, component side



1) Solder pins for PCB connections
 $\phi 1 \pm 0,1$ according to IEC 60 326-3

| | | |
|----------------|-----------------------|-----|
| 09 18 510 7912 | 3 | 4,5 |
| 09 18 510 6912 | 2 | 4,5 |
| 09 18 510 5912 | 0,76 $\mu\text{m Au}$ | 4,5 |
| 09 18 510 7914 | 3 | 2,9 |
| 09 18 510 6914 | 2 | 2,9 |
| 09 18 510 5914 | 0,76 $\mu\text{m Au}$ | 2,9 |
| Part number | Performance level | a |

| | | | | | | | | |
|-------|----------|------|-------------------------------|----------|------|---|--|--------------------------------|
| | | | | Det. | Name |  All Dim. in mm Orig. Size DIN A 3 | SEK 18 Male Connector Standard 10 poles Straight solder pins Short locking levers | Maßstab/ Scale 1,5:1 |
| | | | Detail. | 01/12/99 | JB | | | |
| | | | Insp. | | | | | |
| 34900 | 29/01/08 | LP | Stand. | | | | | |
| 27931 | 15/06/00 | JB | | | | | | |
| 26554 | 01/12/99 | JB | | | | | | |
| Mod. | Det. | Name | HARTING EURL F-95972 Paris | | |  | TB 09 18 510 X91X | Blatt/ Page 1 / 2 |
| | | | | | | | | |