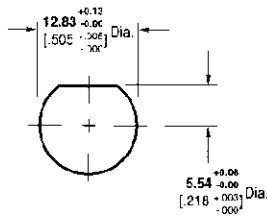


**BNC Connectors, 50 Ohm (Cont.ued)**

**Vertical Jacks  
PC Board/Panel Mount**

**Plating**  
**Body**—Nickel  
**Dielectric**—Polymethylpentene



Maximum Panel Thickness 6.1 [0.240]

**Recommended Panel Cutout**

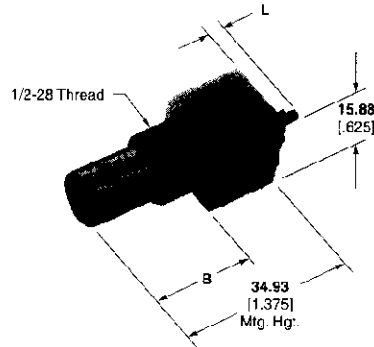
**Lockwasher and Jam Nut**



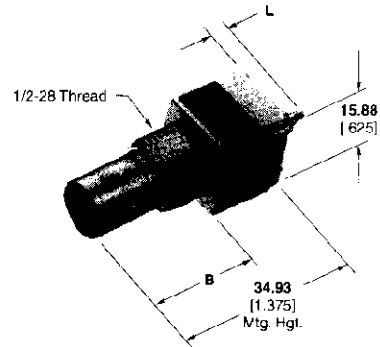
**Part No.**  
1-329632-2

**Part No.**  
1-329631-2

**VALOX Body**



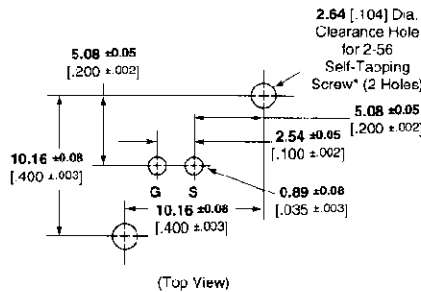
**Metal Body**



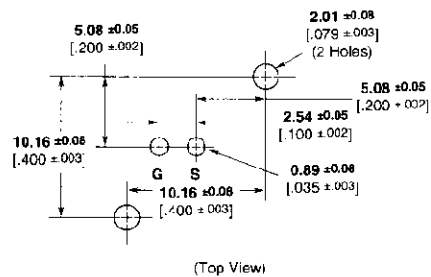
Body Material	Center Contact Plating	Dim. B	Dim. L	Part No.	
				Without Mounting Posts	With Mounting Posts
VALOX, White	Tin-Lead	21.21 .835	3.48 .137	226993-1	227222-1
	Gold	21.21 .835	3.48 .137	226993-3	227222-3
VALOX, Black	Tin-Lead	21.21 .835	3.48 .137	226993-2	227222-2
	Gold	21.21 .835	3.48 .137	226993-6	227222-6
Metal	Tin-Lead	20.83 .820	3.48 .137	227670-1	227671-1
	Gold	20.83 .820	3.48 .137	227672-1	227673-1

**Note:** If an Insulating Bushing is required see part number 330620 and Panel Cutout on page 54.

**Without Mounting Posts**



**With Mounting Posts**



**Recommended PC Board Layouts**

\* Screw for board thickness of 2.38 [0.093] or greater **Part No. 221108-2**.  
Screw for thickness of less than 2.38 [0.093] **Part No. 221108-4**.