

Interface Connectors for Cellular Telephone IAM-E28

FEATURES

1. Interface connector for cell phone (cdmaOne).
2. Standard plug and cable assembly of which parts can be sold separately.
3. Supports master key specifications or user key grooves.
4. Includes shield case.



HOW TO ORDER

E28-018-

1 2 3

1. Series No. (E28)
2. No. of contacts (018 : 18pins)
3. Running No. assigned by us

SPECIFICATIONS

ELECTRICAL CHARACTERISTICS

Rated Voltage	DC 100V
Rated Current	DC 0.5A
Withstanding Voltage	250V AC (rms) 1minute
Insulation Resistance	100MΩ min. (at 250V DC)
Contact Resistance	50mΩ max.

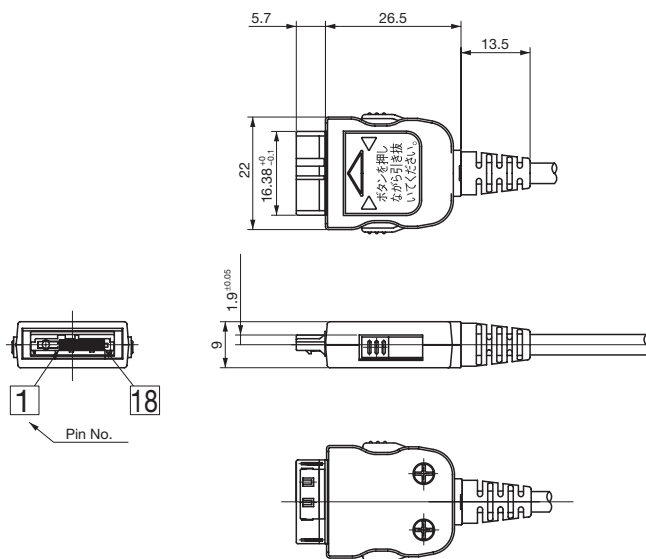
MECHANICAL CHARACTERISTICS

Life (Matching Cycle)	10,000
Lock Strength	68.6N (7kgf) max.
Using Temperature Range	-25~+80°C

MATERIAL & FINISH

Component Parts	Material	Finish
Plug Housing	Nylon 46	(Black)
Contact	Copper Alloy	Gold plating · Solder plating
Lock Lever	SUS	-
Top · Bottom Case	Polycarbonate	(Black)
Coil Spring	SUS	-
Tapping screw	Steal	(Black)

DIMENSIONS



Unit : mm
 ☆Tolerance : ±0.5