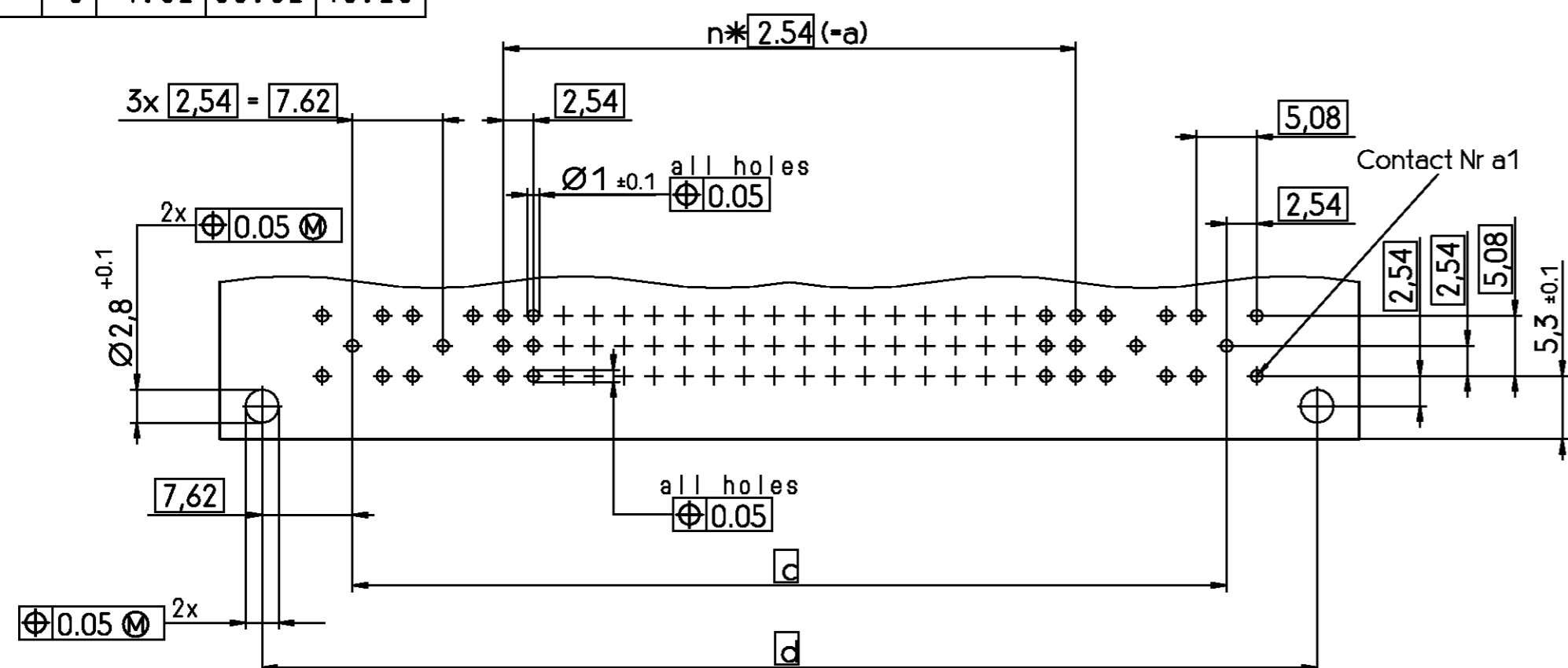


| Type | n | a | c | d |
|------|----|-------|-------|-------|
| M | 19 | 48.26 | 73.66 | 88.9 |
| M/2 | 3 | 7.62 | 33.02 | 48.26 |

Mounting holes in PCB

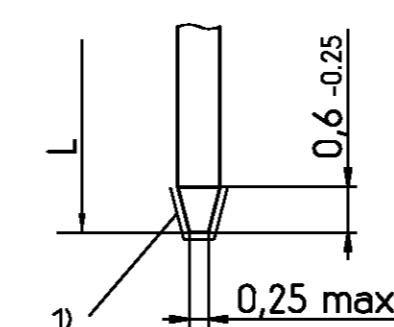


V 4 2 2 5 4 - B 1 * * * - M * * *

Code for performance level
Code for termination style
Style, nr of contacts and contact assignment : see page 2

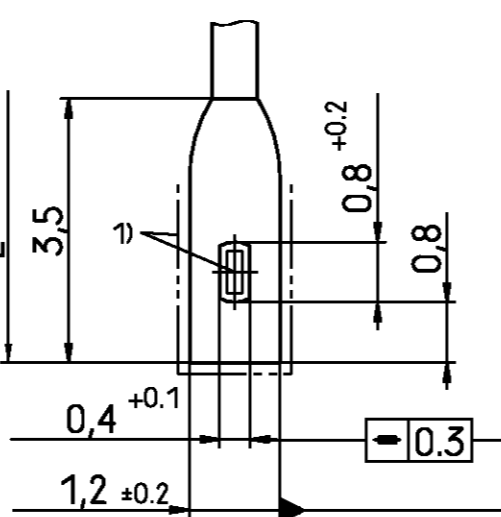
Termination Style

Soldering/Wire-Wrap pins



1) Cutting edges not plated
Terminations Sn Pb plated

Soldering lug

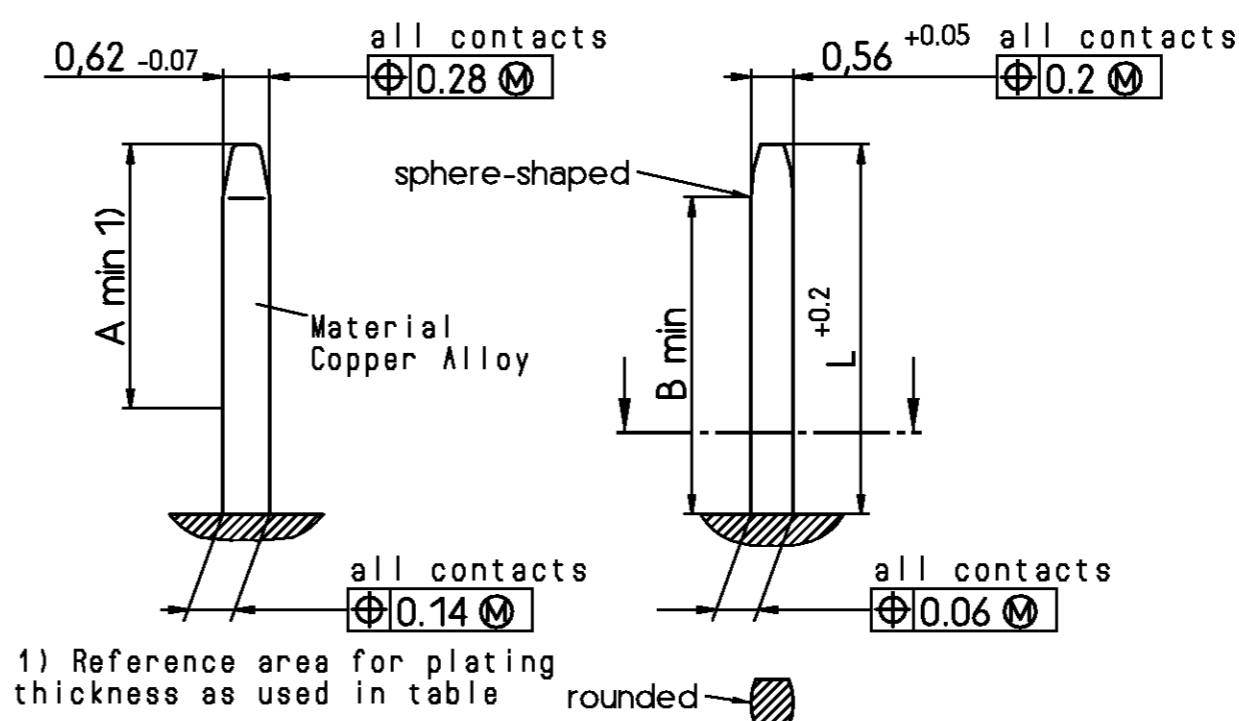


L Code

| | |
|----------------|---------|
| 3 -0.4 | 00 |
| 2.9 ±0.3 | 01 |
| 4.5 ±0.3 | 02 |
| 1.3 ±0.5 | 40 |
| 1.1 ±0.5 | 41 |
| 1.7 ±0.5 | 42 |
| Soldering lugs | 35 |
| 5.5 ±0.3 | 10 -0.5 |

V42254-B1***-M***

Contact: Dimensions, plating, material, pre-mating



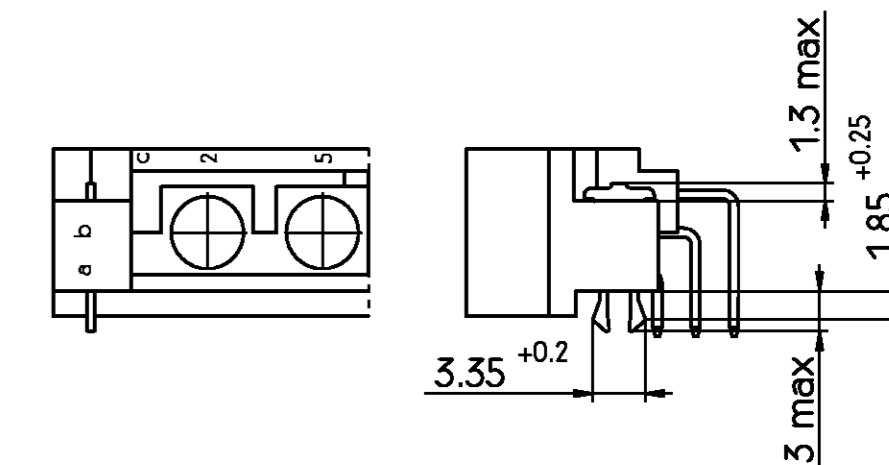
| | L | A | B |
|---------------------|-----|-----|-----|
| normal contacts | 4.8 | 3.5 | 4.2 |
| pre-mating contacts | 5.8 | 4.5 | 5.2 |

V42254-B1***-M***

| Performance level | Noble metals | Code |
|-------------------|---------------|------|
| Class I | Pd + Au or Au | 1 |
| | Au | 4 |
| Class II | Pd + Au or Au | 2 |
| | Au | 5 |
| Class III | Pd + Au or Au | 3 |

Nickel underlayer :
Protection film : HF-grease

Male connector with board locks



Mounted in PC-boards of 1.5 to 1.8 mm
Fm < 60 N
Fr >= 20 N
Fr >= 200 N, wenn soldered-in

Fm = Mounting force (for 1 connector = 2 Clips)
Fr = Retention force (for 1 connector = 2 Clips)

Mounted in PC-boards over 1.8 mm
Fm < 60 N
Fr >= 16 N

| tyco | | TYCO ELECTRONICS CORPORATION | | SCALE | | WEIGHT | |
|-------------|--------------|------------------------------|--------|---------------------------------------|-------------------------|----------|--|
| Electronics | | COOSTKAMP - BELGIUM | | DIMENSIONS IN MM | | MATERIAL | |
| DATE | 21.05.89 | LOC | LOC | PART NAME | | | |
| NAME | Verbeslen | DESIGN | DESIGN | Pin Assembly Eurocard, Type M | | | |
| DEP. | PD COM | REV. | REV. | 4 Special Contacts and short versions | | | |
| B | SR10-0198-01 | 21.05.01 | BC | TOLERANCE UNLESS SPECIFIED OTHERWISE | PART NO. | SHT. | |
| A | WO 00/7012 | 20.07.00 | VS | | V42254-B1***-M6***-7626 | 1+ | |
| 03 | WO 91/225 | 09.04.91 | CLV | | | CF 2 | |
| REV. | CHANGE ORDER | DATE | APP. | Customer Drawing Nr. C 2-1393644-Z | | | |

PROPRIETARY: THIS INFORMATION IS CONFIDENTIAL AND PROPRIETARY TO TYCO ELECTRONICS CORPORATION AND ITS WORLDWIDE SUBSIDIARIES AND AFFILIATES. IT MAY NOT BE DISCLOSED TO ANYONE OTHER THAN TYCO ELECTRONICS PERSONNEL. WITHOUT WRITTEN AUTHORIZATION FROM TYCO ELECTRONICS CORPORATION, HARRISBURG, PENNSYLVANIA, USA.

| Old Part Number | Tyco Part Number | Style & Number of Positions | Termination posts | Loaded rows | Standard Pre-Mating (mm ?) | Performance Level | Board Locks |
|--------------------|------------------|-----------------------------|------------------------------|-------------------------|----------------------------|-------------------|-------------|
| V42254-B1100-M120 | 2-1393644-2 | M12 + 4 | right-angle solder leads | every row , every pitch | No | 1 | No |
| V42254-B1100-M600 | 2-1393644-7 | M60 + 4 | right-angle solder leads | every row , every pitch | No | 1 | No |
| V42254-B1102-M600 | 3-1393644-9 | M60 + 4 | 4,5mm straight solder leads | every row , every pitch | No | 1 | No |
| V42254-B1135-M120 | 4-1393644-1 | M12 + 4 | solder lugs | every row , every pitch | No | 1 | No |
| V42254-B1135-M600 | 4-1393644-3 | M60 + 4 | solder lugs | every row , every pitch | No | 1 | No |
| V42254-B1200-M120 | 1-1393645-2 | M12 + 4 | right-angle solder leads | every row , every pitch | No | 2 | No |
| V42254-B1200-M600 | 1-1393645-0 | M60 + 4 | right-angle solder leads | every row , every pitch | No | 2 | No |
| V42254-B1200-M603 | 1-1393645-1 | M60 + 4 | right-angle solder leads | row atc , every pitch | No | 2 | No |
| V42254-B1200-M603B | 1-1393645-2 | M60 + 4 | right-angle solder leads | row atc , every pitch | No | 2 | No |
| V42254-B1200-M613 | 1-1393645-3 | M60 + 4 | right-angle solder leads | row atc , every pitch | No | 2 | Yes |
| V42254-B1202-M120 | 4-1393645-0 | M12 + 4 | 4,5mm straight solder leads | every row , every pitch | No | 2 | No |
| V42254-B1235-M120 | 4-1393645-9 | M12 + 4 | solder lugs | every row , every pitch | No | 2 | No |
| V42254-B1235-M600 | 5-1393645-0 | M60 + 4 | solder lugs | every row , every pitch | No | 2 | No |
| V42254-B1240-M600 | 6-1393645-1 | M60 + 4 | 13mm straight wire-wrap pins | every row , every pitch | No | 2 | No |

1) First and last contact of each loaded row is a pre-mating (make first / break last) contact.

Active part numbers.
Contact Tyco Electronics for other configuration availability

| | | | | | |
|--|--------------|---|------|------------------------------------|--|
| tyco TYCO ELECTRONICS CORPORATION | | SCALE | | WEIGHT | |
| OOSTKAMP - BELGIUM | | MATERIAL | | | |
| DIMENSIONS IN MM | | PART NAME | | | |
| DATE | Z1.04.89 | PIN Assembly Eurocard, Type M | | | |
| NAME | Vanbesien | + 4 Special Contacts and short versions | | | |
| DEP. | PD COM | | | | |
| TOLERANCE UNLESS SPECIFIED OTHERWISE | | PART NO. | | SHT. | |
| | | V42254-B1***-M6***-*-7626 | | 2- | |
| REV. | CHANGE ORDER | DATE | APP. | Customer Drawing Nr. C 2-1393644-2 | |
| | | | | OF 2 | |

- [Home](#)
- [Part Number Search](#)
- [Text Search](#)
- [Alternate Part Search](#)
- [Multiple Part Comparison](#)
- [Alphabetical Search](#)
- [Brand Search](#)
- [Industry Product Search](#)
- [Product Type Search](#)
- [Product Family Search](#)
- [Competitor Cross Reference](#)
- [Document Number Search](#)
- [Lead Free Solutions](#)
- [Help/Glossary](#)

Current Brand View

AMP

[View All Tyco Electronics Brands](#)

Click to activate links to all other products

.100 & .200 Centerline DIN 41612 Connectors (Eurocard)

Eurocard Type M Connectors and RS-System .100 Centerline - 3 Row Signal, Power, Coax

AMP

2-1393644-2 -- 3 of 8 products

Active [Active](#)

(Tyco Electronics P/N: 2-1393644-2)

| | | | | |
|--------------------------|----------------------|-----------------------------------|-----------------------------------|--------------------------------------|
| Previous | Next | Sales Information | AMP ACES | Step Search Screen |
| | | | Related Documents | General Information |
| | | | Pricing | Product Availability |

Please use the customer drawing for all design activity.

- **Customer Drawing: 2-1393644-2, Rev. B**
Document Title: Pin Assembly Eurocard, Type M + 4 Special Contacts and short versions

[218553.pdf](#) [218553.pdf](#) (142K)

Searchable Features:

| | |
|--|-------------|
| Brand: | AMP |
| Product Series: | Type M |
| Product Type: | Connector |
| Mating Type: | Plug |
| No. of Signal Contacts: | 12 |
| No. of Power or Coaxial Contacts: | 4 |
| Mount Angle: | Right Angle |
| Post Type: | Solder Post |

Other Properties:

| | |
|--|----------------------------|
| Contact Type: | Coaxial, Power, Signal |
| Loaded with Single Contacts Only: | Yes |
| Rows Loaded: | A, B, C |
| Contact Material: | Copper Alloy |
| Housing Material: | 30% Glass-Filled Polyester |
| Color: | Gray |

| | |
|---|-------------|
| Termination Post Length (mm [in]): | 3.00 [.118] |
| DIN Level: | I |
| Application: | Standard |

| | |
|-------------------------------------|----------|
| Housing Flammability Rating: | UL 94V-0 |
|-------------------------------------|----------|

[Copyright](#) and [Privacy Statement](#)

Visit [Tyco International, Ltd.](#)

[Products](#) | [Brands](#) | [Industries](#) | [Customer Service](#) | [About](#) | [Home](#)