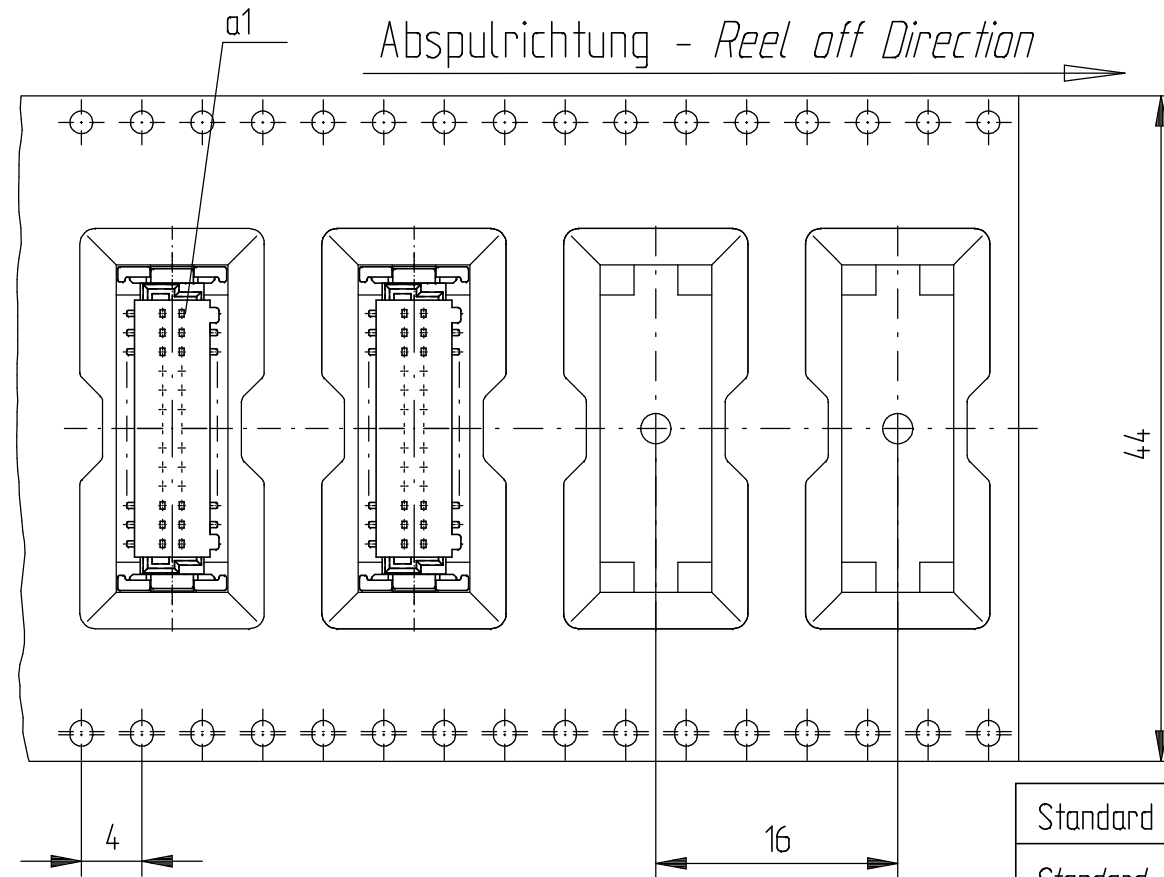
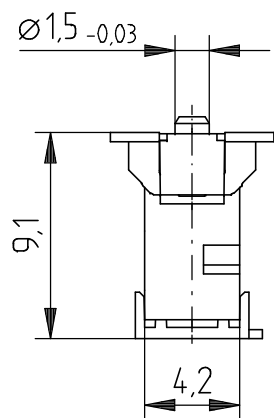
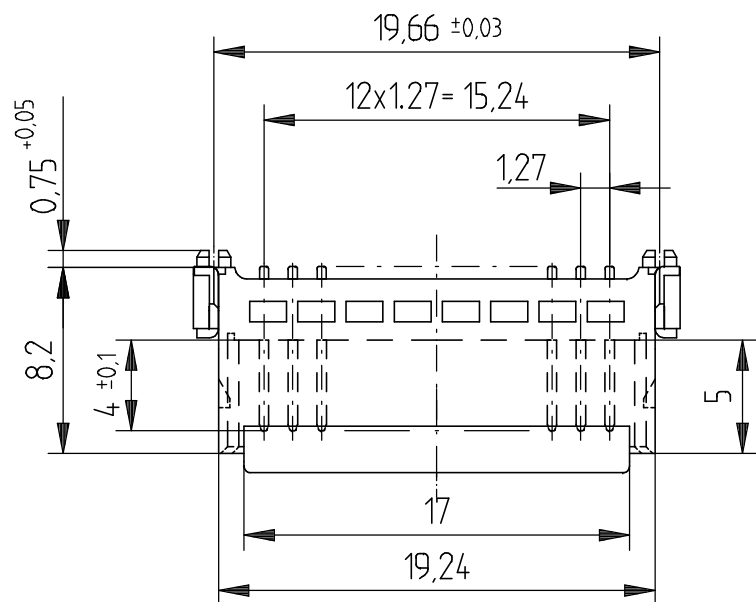
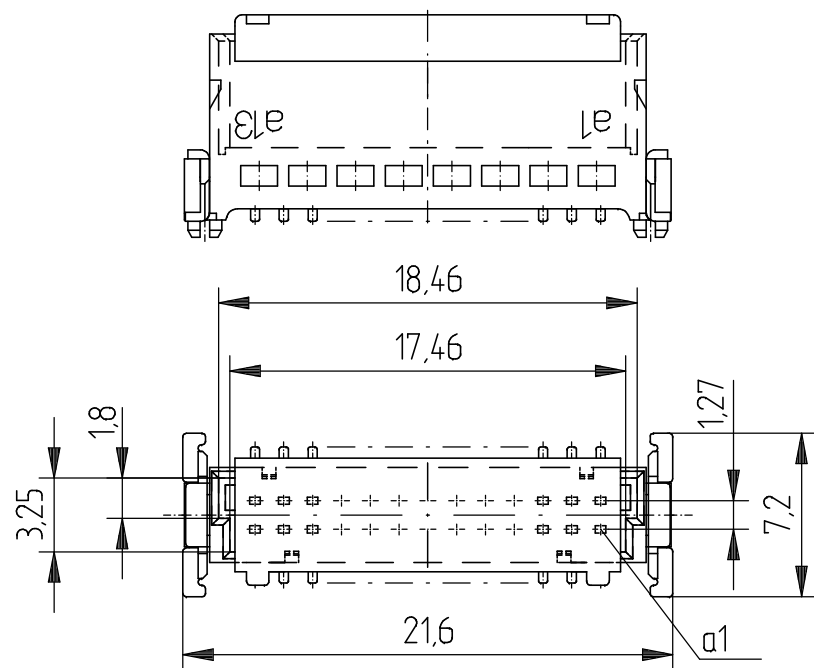
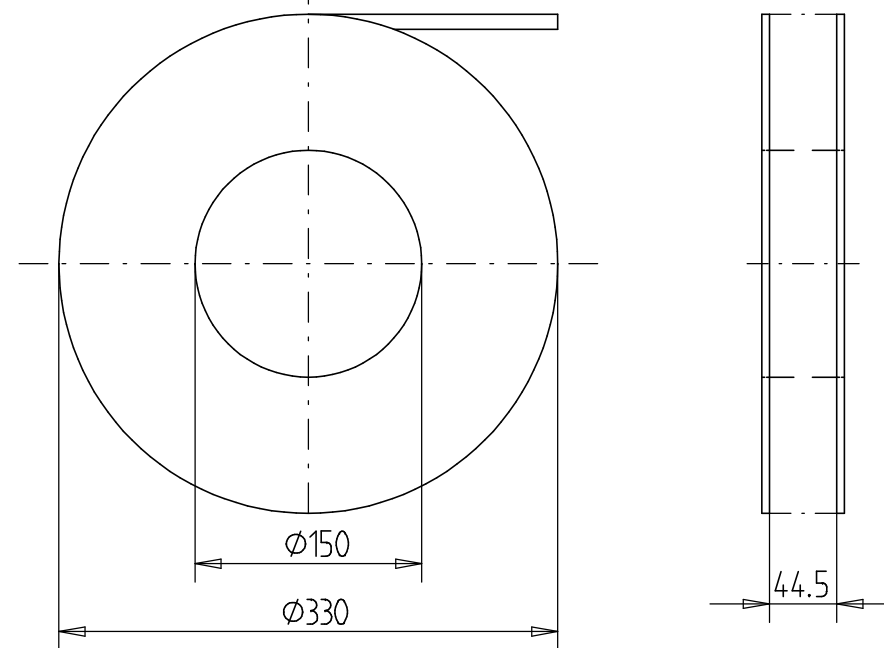


Verpackt in Gurtverpackung - Tape on Reel Packaging
 Verpackungseinheit: 280 Stück - Packaging unit: 280 pcs



Standard Bauhöhe
 Standard Assembly Height

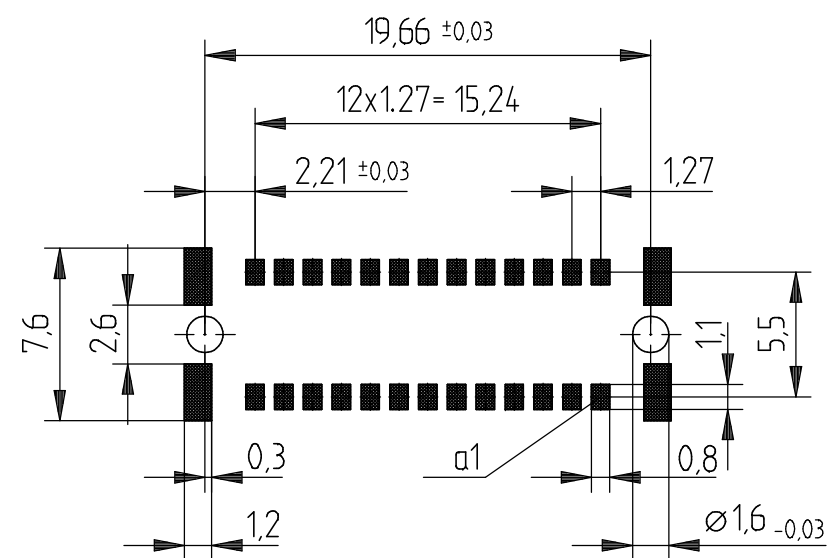
Anforderungsstufe 1
 Performance Level 1

Kontaktbereich vergoldet
 Mating Area gold plating

Anschlussbereich verzinkt 4-6 µm
 Terminal Area 4-6 µm tin plating

Koplanarität der Anschlüsse ≤ 0.1mm
 Coplanarity Area of Termination ≤ 0.1 mm

Leiterplatten-Layout Vorschlag für SMT
 PCB-Layout Proposal for SMT



Consider protection memo from DIN 34

Information:	Tolerances	All Dimensions in mm	Scale 3:1
All rights reserved. Only for information. To insure that this is the latest version of this drawing, please contact one of the ERNI companies before using.	Subject to modification without prior notice. Drawing will not be updated.	Designation Messerleiste SMC-Q, 26 polig Male Conn. SMC-Q, 26 contacts	
www.ERNI.com	100100340001	K2	
e Index	22.01.2008 Date	M:00070049.SZA	SMCQ