

MOLDED TC ASSEMBLIES

MOLDED TC ASSEMBLIES

JEDEC TYPE NUMBER	NOMINAL ZENER VOLTAGE V_z [†] VOLTS	TEST CURRENT I_{ZT} mA	MAXIMUM ZENER IMPEDANCE Z_{ZT} @ I_{ZT} Ohms	VOLTAGE TEMPERATURE STABILITY		EFFECTIVE TEMPERATURE COEFFICIENT %/°C	MAXIMUM POWER DISSIPATION WATTS	CASE NUMBER
				- 55°C TO + 25°C ΔV_{ZT} Max.	+ 25°C TO + 100°C ΔV_{ZT} Max.			
1N429	6.2	7.5	20	50	50	.01	.200	5
1N1735	6.2	7.5	20	50	50	.01	.200	9
1N1530	8.4	10.0	14	14	14	.002	.250	10
1N1530A	8.4	10.0	14	7	7	.001	.250	10
1N2765	6.8	7.5	20	50	50	.01	1.0	14
1N2765A	6.8	7.5	20	25	25	.005	1.0	14
1N2766	13.6	7.5	40	100	100	.01	1.0	14
1N2766A	13.6	7.5	40	50	50	.005	1.0	14
1N1736	12.4	7.5	40	100	100	.01	.40	11
1N1736A	12.4	7.5	40	50	50	.005	.40	11
1N1737	18.6	7.5	60	150	150	.01	.60	12
1N1737A	18.6	7.5	60	75	75	.005	.60	12
1N2767	20.4	7.5	60	150	150	.01	1.0	15
1N2767A	20.4	7.5	60	75	75	.005	1.0	15
1N1738	24.8	7.5	80	200	200	.01	.80	18
1N1738A	24.8	7.5	80	100	100	.005	.80	18
1N2768	27.2	7.5	80	200	200	.01	1.0	15
1N2768A	27.2	7.5	80	100	100	.005	1.0	15
1N1739	31.0	7.5	100	250	250	.01	1.0	18
1N1739A	31.0	7.5	100	125	125	.005	1.0	18
1N2769	34.0	7.5	100	250	250	.01	1.0	16
1N2769A	34.0	7.5	100	125	125	.005	1.0	16
1N1740	37.2	7.5	120	300	300	.01	1.2	18
1N1740A	37.2	7.5	120	150	150	.005	1.2	18
1N2770	40.8	7.5	120	300	300	.01	1.0	16
1N2770A	40.8	7.5	120	150	150	.005	1.0	16
1N1741	43.4	7.5	140	350	350	.01	1.4	18
1N1741A	43.4	7.5	140	175	175	.005	1.4	18
1N1742	49.6	7.5	160	400	400	.01	1.6	18
1N1742A	49.6	7.5	160	200	200	.005	1.6	18
1N3199	8.4	10.0	15	34.0	32.0	.005	.27	17
1N3200	8.4	10.0	15	20.0	19.0	.003	.27	17
1N3201	8.4	10.0	15	13.4	12.9	.002	.27	17
1N3202	8.4	10.0	15	6.7	6.3	.001	.27	17

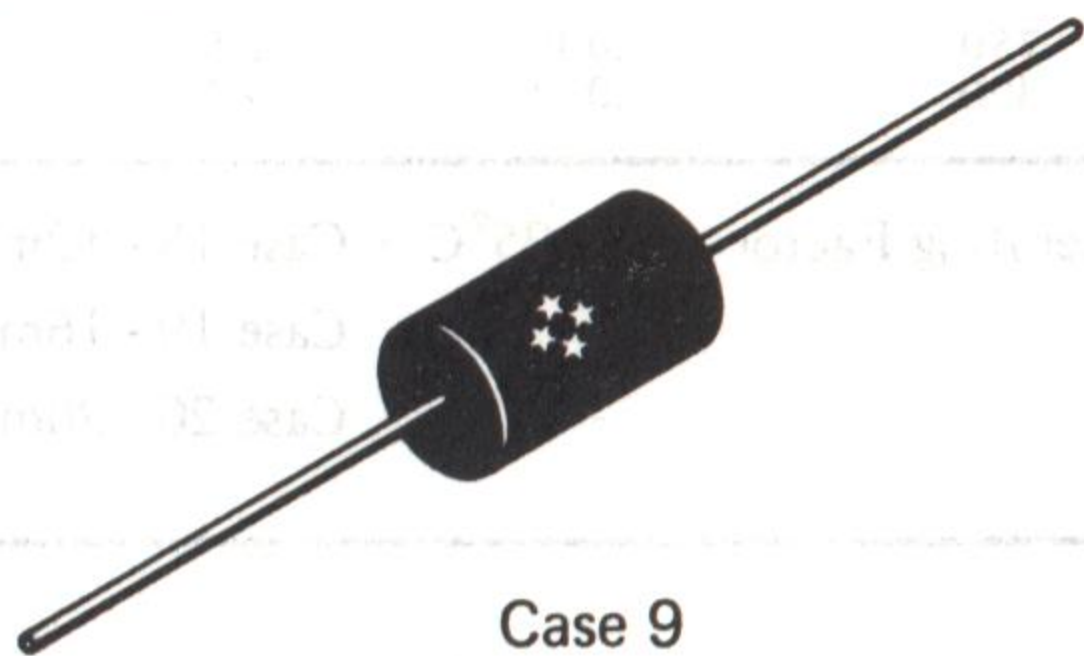
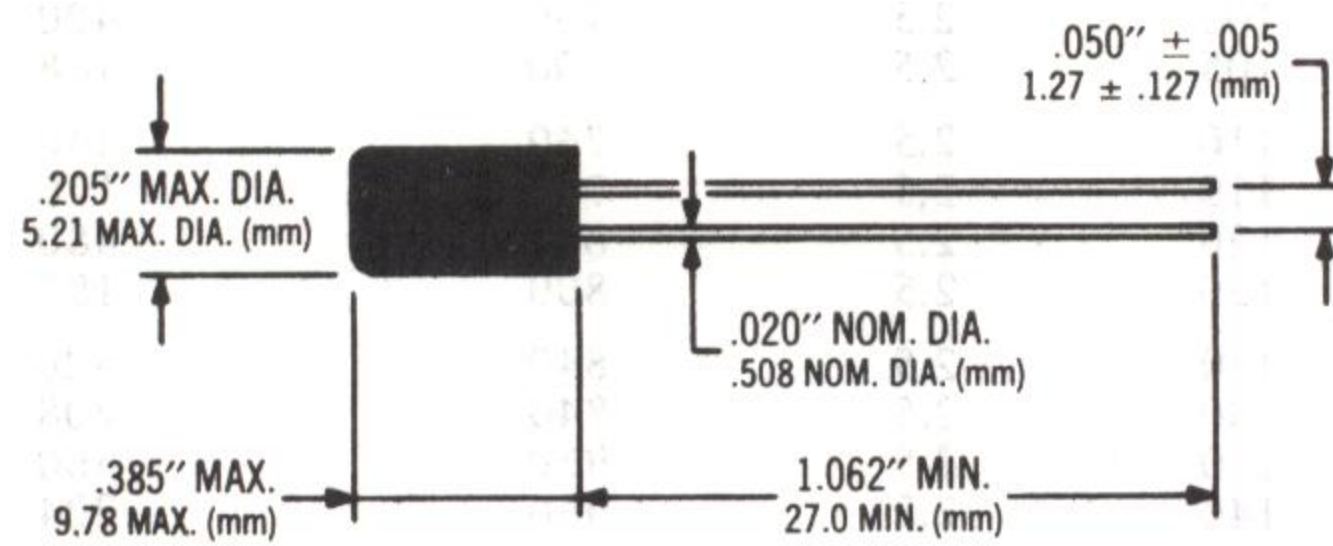
[†] $V_z = \pm 5\%$

Polarity - Positive Terminal Indicated

3
TEMPERATURE
COMPENSATED DIODES



Case 5



Case 9

