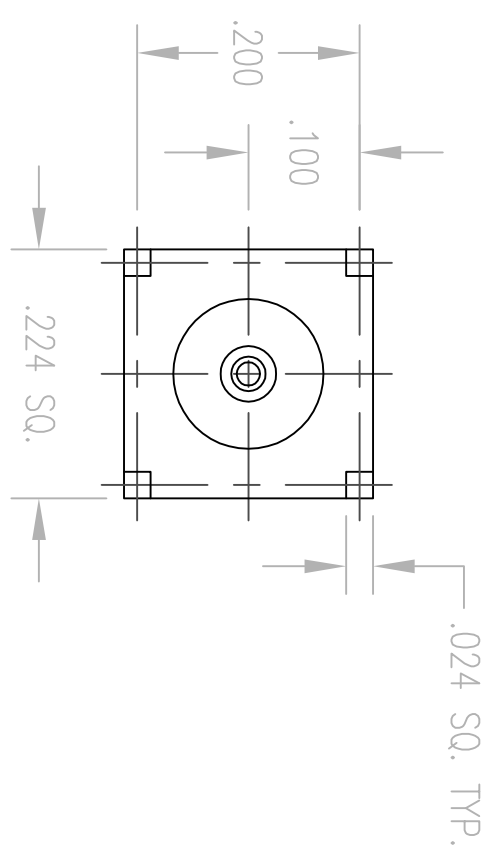
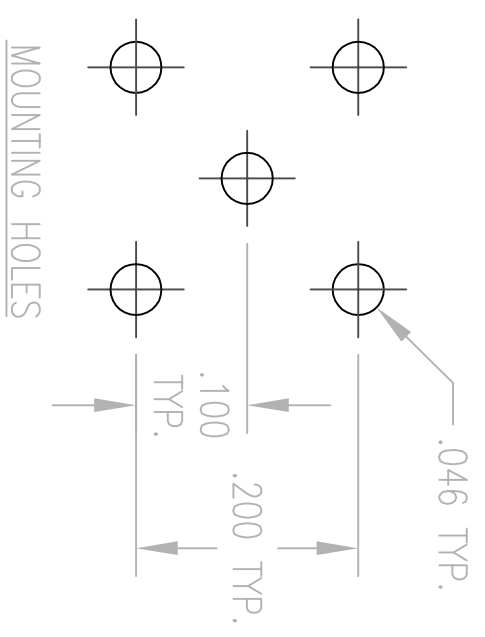
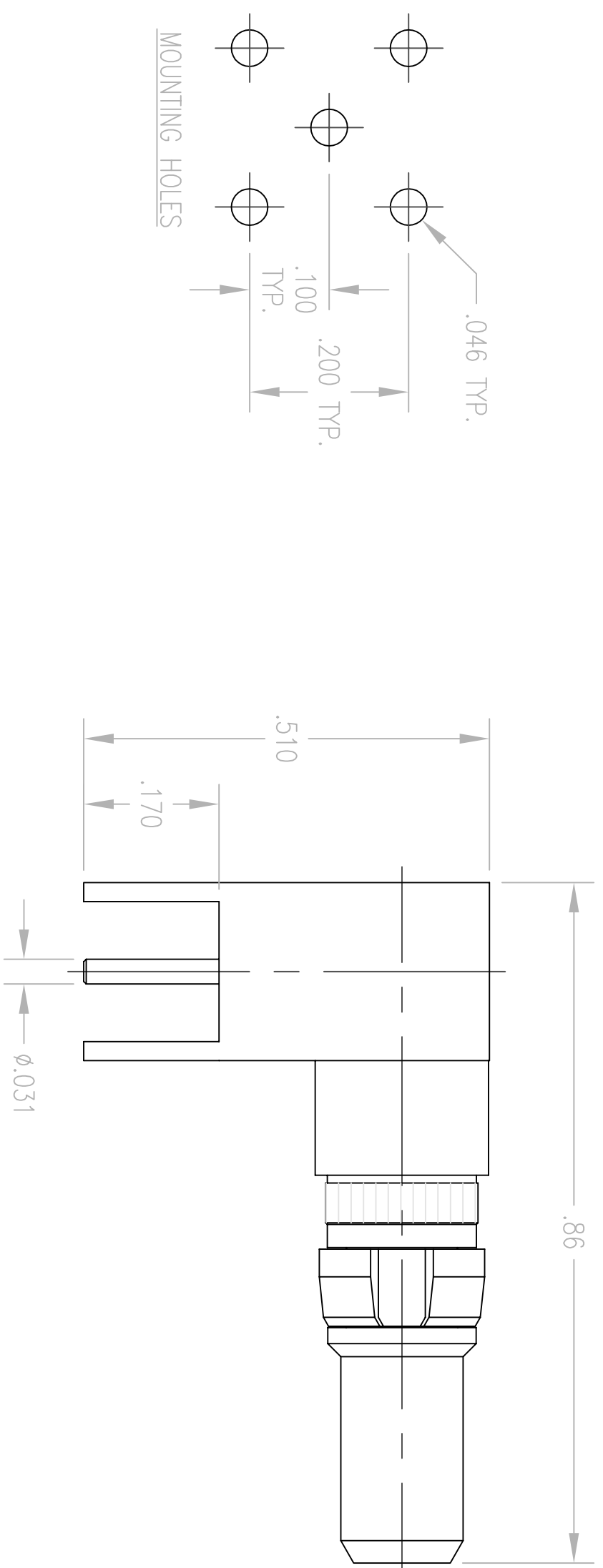


REV	DESCRIPTION	DATE	BY / APPD
A	RELEASE PER NPR 2610	10/15/01	JWH



NOTES:

1. MATERIALS:  
 BODY: BRASS PER ASTM B16  
 CONTACT: COPPER ALLOY  
 INSULATOR: TEFLON PER ASTM D1710  
 CLIP RING: BERYLLIUM COPPER PER ASTM B194
2. FINISH:  
 BODY AND CONTACT: .000030 MIN. GOLD PER MIL-G-45204  
 OVER .000050 MIN. NICKEL PER QQ-N-290  
 CLIP RING: .000100 MIN. NICKEL PER QQ-N-290 OVER  
 COPPER FLASH

PER ASME Y14.5M-1994 UNLESS OTHERWISE SPECIFIED: DIMENSIONS ARE IN INCHES OR INCHES/MM TOLERANCES:				<b>Littion</b> Winchester Electronics/RETCONN <small>400 Park Road                  Waterbury, Connecticut 06795</small>			
DECIMALS .xx ± .01 / 0.254 .xxx ± .005 / 0.127 ANGLES ± 2° SCALE: 6:1				TITLE 31 SERIES RIGHT ANGLE PLUG			
CUSTOMER DRAWING				DATE 1/24/01		DATE 1/24/01	
DRAWN KJT	DATE 01/24/01	CHECKED JED	DATE 1/24/01	APPROVED JEM	DATE 1/24/01	A	312-010-6040G
REV.		OF		SH.		1 1 A	