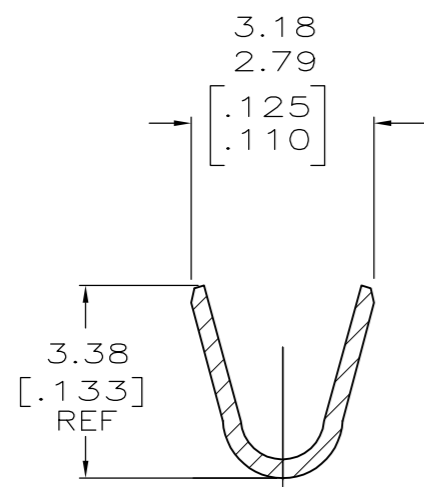
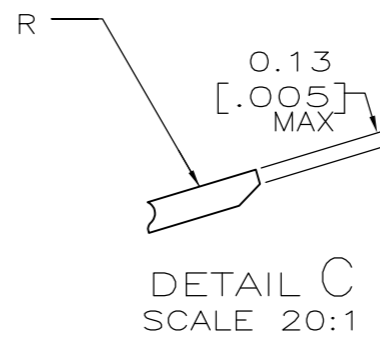
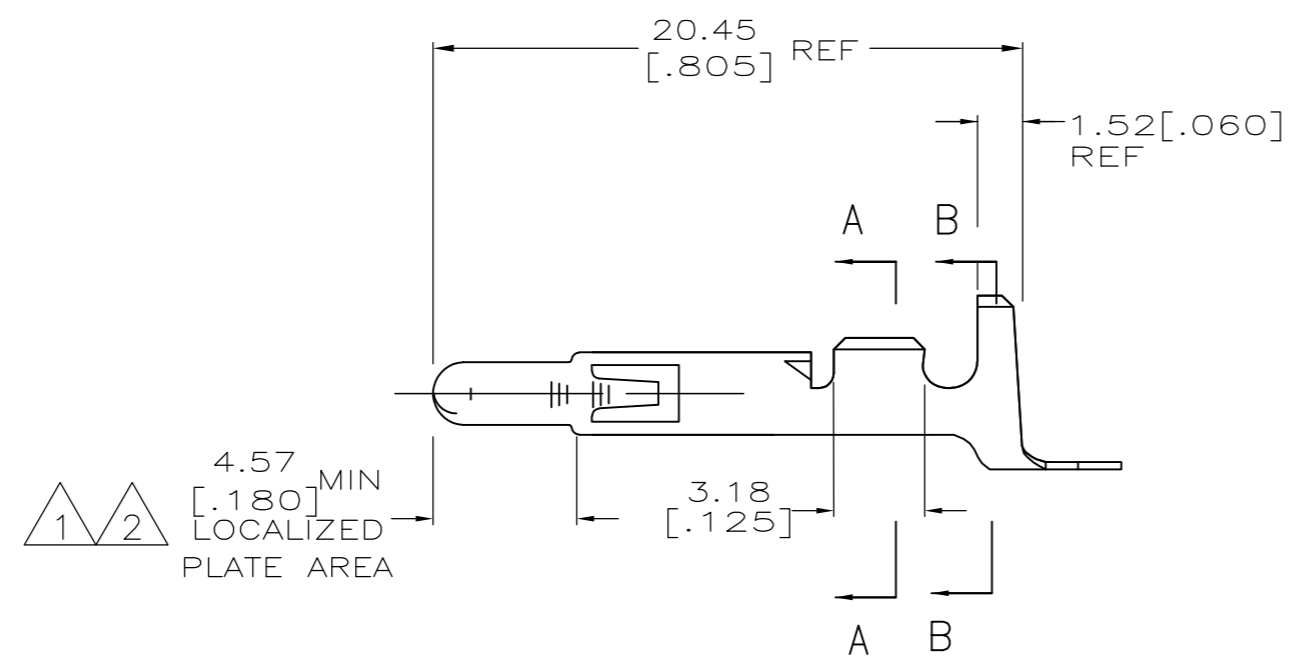
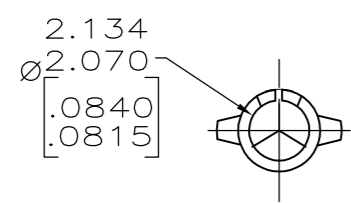
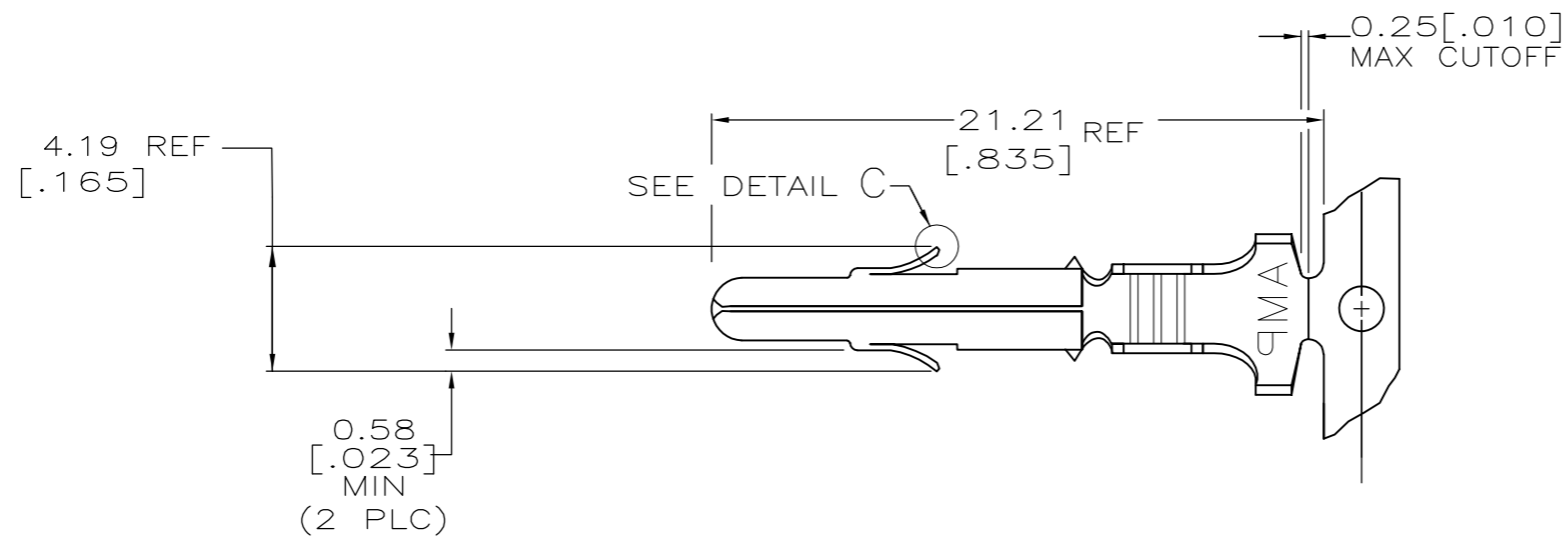
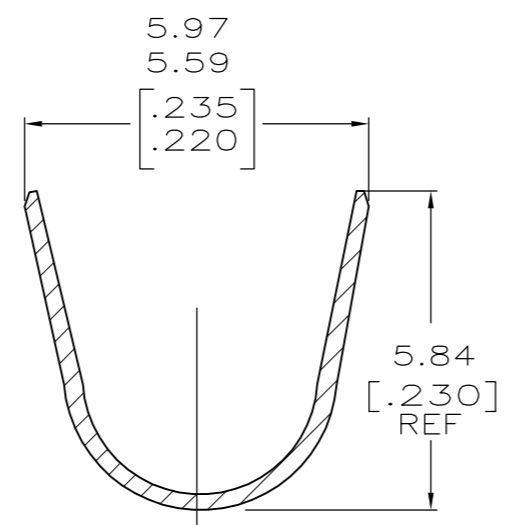


THIS DRAWING IS UNPUBLISHED. RELEASED FOR PUBLICATION
 © COPYRIGHT - By - ALL RIGHTS RESERVED.

LOC		DIST		REVISIONS			
P	LTR	DESCRIPTION		DATE	DWN	APVD	
CM	00	AB	REVISED PER ECR-12-013323		09AUG12	KH	TM



SECTION A-A
SCALE 10:1



SECTION B-B
SCALE 10:1

- 1 0.00076[.000030] MIN THK GOLD IN LOCALIZED PLATE AREA AND 0.000127[.000005] MIN THK GOLD FLASH ON REMAINDER OF CONTACT OVER 0.00127[.000050] MIN THK NICKEL UNDERPLATE.
- 2 0.00076[.000030] MIN THK GOLD IN LOCALIZED PLATE AREA OVER 0.00127[.000050] MIN THK NICKEL UNDERPLATE.
- 3 DIMENSIONS IN BRACKETS ARE IN INCHES.
- 4 WIRE RANGE: 20-14 AWG
INSULATION RANGE: 3.30-5.08 [.130-.200] DIA.

350552-7	GOLD	2	0.30 [.012]	BRASS	350538-7
350552-6	GOLD	2	0.30 [.012]	PH BZ	350538-6
350552-3	TIN		0.30 [.012]	PH BZ	350538-3
350552-2	GOLD	1	0.30 [.012]	BRASS	350538-2
350552-1	TIN		0.30 [.012]	BRASS	350538-1
LOOSE PIECE (REF)	FINISH		MATERIAL	PART NO	

THIS DRAWING IS A CONTROLLED DOCUMENT.		DWN	16-FEB-04	TE Connectivity PIN, UNIVERSAL MATE-N-LOK™			
DIMENSIONS: mm [INCHES]		CHK	16-FEB-04				
TOLERANCES UNLESS OTHERWISE SPECIFIED:		APVD	16-FEB-04				
0 PLC ± - 1 PLC ± - 2 PLC ± - 3 PLC ± 0.20.008 4 PLC ± - ANGLES ± -		NAME					
MATERIAL	FINISH	WEIGHT		SIZE	CAGE CODE	DRAWING NO	RESTRICTED TO
SEE TABLE	SEE TABLE			A2	00779	C=350538	
CUSTOMER DRAWING			SCALE	4:1	SHEET	1 OF 1	REV
							AB