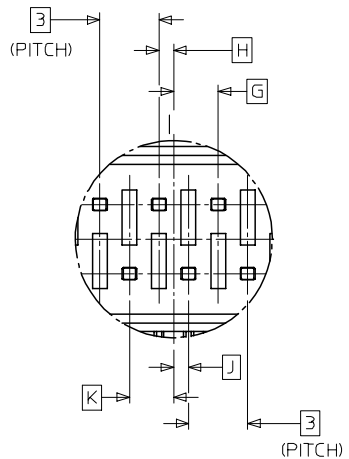
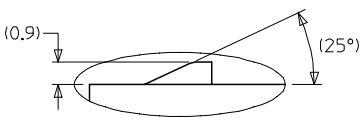
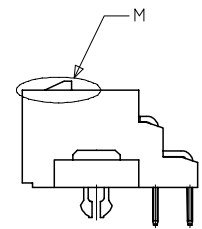
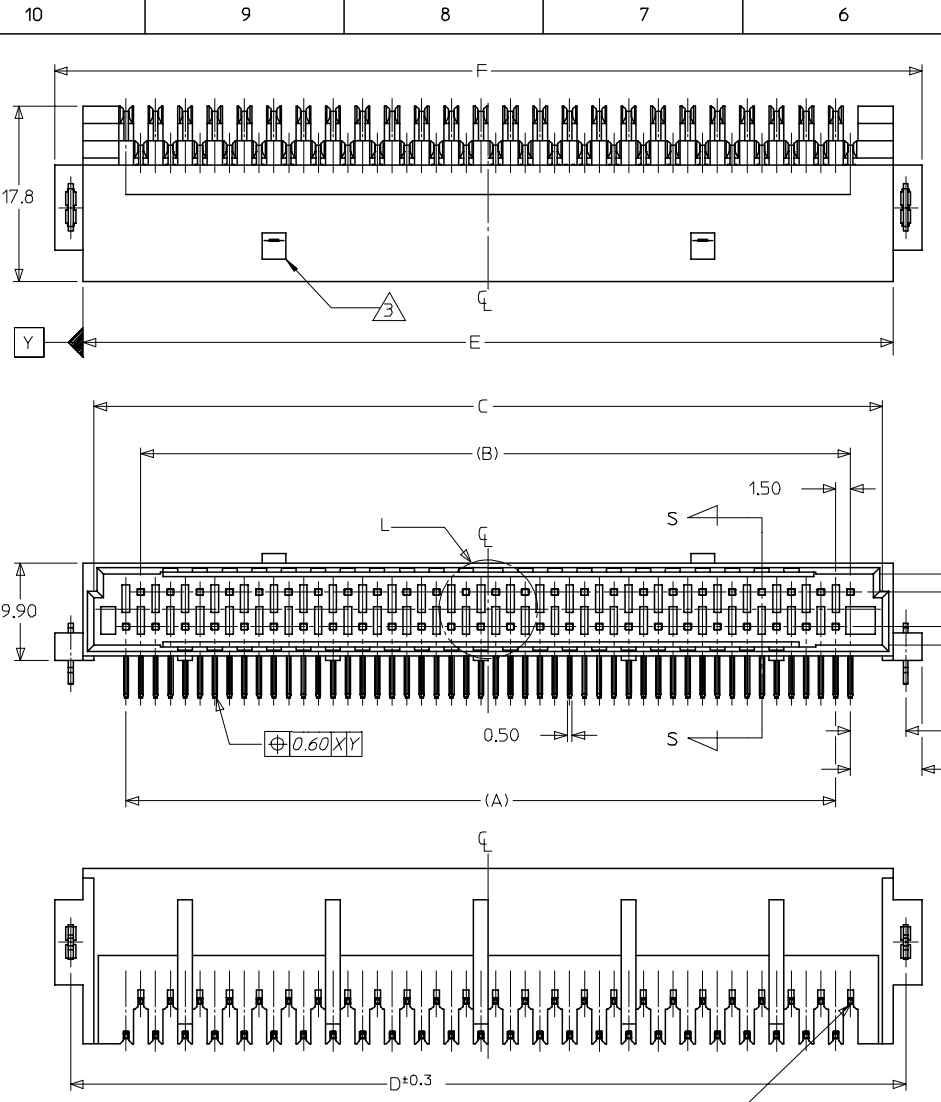


	5	4	3	2	1	ENG. NO.	CKT.					
K	2.25	0.75	0.75	2.25	43.0	37.2	39.7	35.0	27	27	53615-2014	20
J	1.50	1.50	0	0	50.5	44.7	47.2	42.5	36	33	-2514	25
H	0.75	2.25	2.25	0.75	58.0	52.2	54.7	50	42	42	-3014	30
G	0	0	1.50	1.50	65.5	59.7	62.2	57.5	51	48	-3514	35
F	2.25	0.75	0.75	2.25	73.0	67.2	69.7	65.0	57	57	-4014	40
E	1.50	1.50	0	0	80.5	74.7	77.2	72.5	66	63	-4514	45
D	0.75	2.25	2.25	0.75	88.0	82.2	84.7	80.0	72	72	-5014	50
C	0	0	1.50	1.50	95.5	89.7	92.2	87.5	81	78	-5514	55
(B)	2.25	0.75	0.75	2.25	103.0	97.2	99.7	95.0	87	87	-6014	60
(A)	1.50	1.50	0	0	110.5	104.7	107.2	102.5	96	93	-6514	65
	0.75	2.25	2.25	0.75	118.0	112.2	114.7	110.0	102	102	53615-7014	70



CKT. NO.1 SIDE

EC NO: S2005-0150	2004/08/23	2004/08/24
DRAWN:ATSEE	CHKD:KCLING	APPR:SKTOH
REV	DESCRIPTION	
A2		

QUALITY SYMBOLS	▽=0
	▽=0

GENERAL TOLERANCES (UNLESS SPECIFIED)	
	mm
4 PLACES	± ---
3 PLACES	± ---
2 PLACES	± 0.2
1 PLACE	± 0.25
ANGULAR ± 3 °	
DRAFT WHERE APPLICABLE MUST REMAIN WITHIN DIMENSIONS	

DIMENSION STYLE		SCALE	
MM ONLY		NTS	
DRAWN BY	DATE	TITLE	
GRX IE	2001/05/10	SALES DRAWING	
CHECKED BY	DATE	3.0 BOARD TO BOARD CONN.	
DSOH	2001/06/25	(POSITIVE LOCK TYPE)	
APPROVED BY	DATE	MOLEX INCORPORATED	
SKTOH	2001/06/29		
MATERIAL NO.	DOCUMENT NO.	SHEET NO.	
SEE TABLE	SD-53615-007	1 OF 2	

DESIGN UNITS		THIRD ANGLE PROJECTION	
METRIC			
THIS DRAWING CONTAINS INFORMATION THAT IS PROPRIETARY TO MOLEX INCORPORATED AND SHOULD NOT BE USED WITHOUT WRITTEN PERMISSION			

10 9 8 7 6 5 4 3 2 1

F

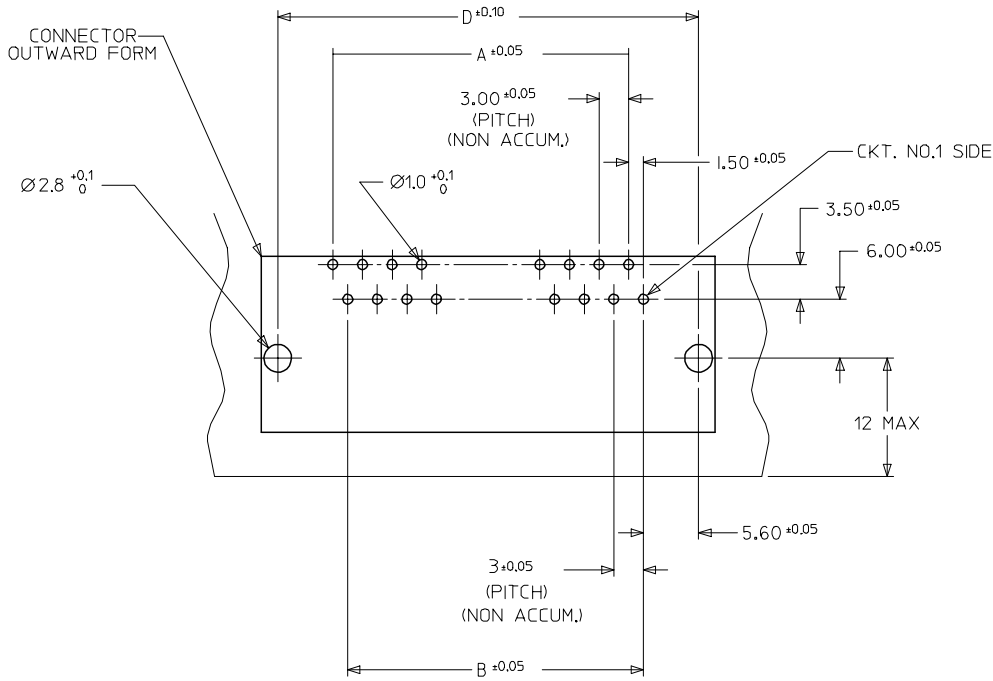
E

D

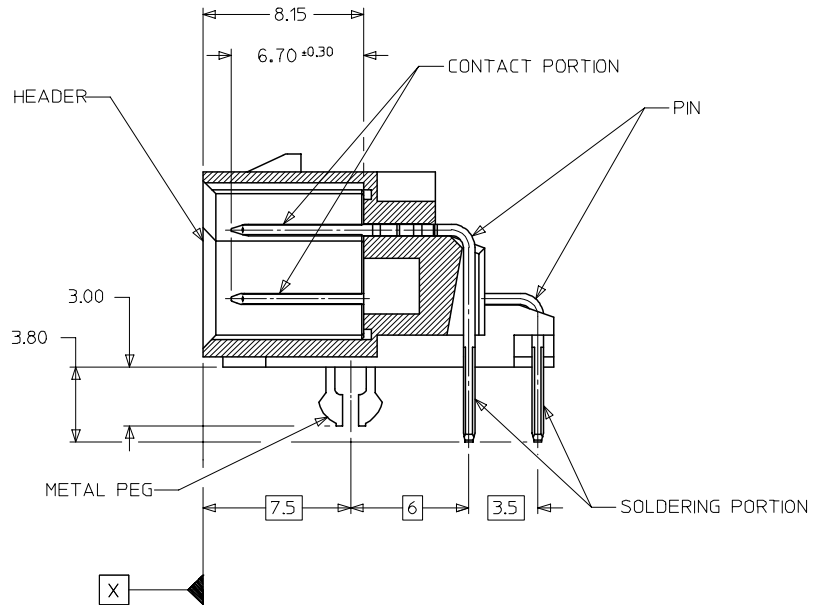
C

B

A



RECOMMENDED P.C.B. LAYOUT (THK.=1.6)  
(VIEW ON COMPONENT SIDE)



SECT. S-S

NOTES

- MATERIAL AND PLATING  
 HEADER : GLASS FILLED P.B.T. (BLACK), UL94V-0  
 PIN : BRASS (t=0.58)  
 PLATING : CONTACT PORTION ; GOLD PLATING (NICKEL UNDER PLATING)  
 SOLDERING PORTION ; TIN PLATING (NICKEL UNDER PLATING)  
 METAL PEG : PHOSPHOR BRONZE (t=0.48),  
 TIN PLATING

- MATE WITH : 52872 SERIES  
 △X CIRCUITS 20, 25 AND 30 HAS ONLY 1 LOCKING FEATURE  
 CENTRALIZE AT THE CENTRE OF THE CONNECTOR  
 (  $\varnothing$  OF F )

EC NO: S2005-0150 DRAWN:ATSEE 2004/08/23 CHKD:KCLING 2004/08/23 APPR:SKTOH 2004/08/24	QUALITY SYMBOLS $\nabla=0$ $\nabla=0$	GENERAL TOLERANCES (UNLESS SPECIFIED)		DIMENSION STYLE MM ONLY		SCALE NTS	DESIGN UNITS METRIC	THIRD ANGLE PROJECTION		
			mm	INCH	DRAWN BY GRX IE	DATE 2001/05/10	TITLE SALES DRAWING 3.0 BOARD TO BOARD CONN. (POSITIVE LOCK TYPE)			
		4 PLACES	± ---	± ---	CHECKED BY DSOH	DATE 2001/06/01	MOLEX INCORPORATED			
		3 PLACES	± ---	± ---	APPROVED BY SKTOH	DATE 2001/06/29	DOCUMENT NO. SD-53615-007	SHEET NO. 2 OF 2		
	2 PLACES	± 0.2	± ---	MATERIAL NO. SEE TABLE		THIS DRAWING CONTAINS INFORMATION THAT IS PROPRIETARY TO MOLEX INCORPORATED AND SHOULD NOT BE USED WITHOUT WRITTEN PERMISSION				
	1 PLACE	± 0.25	± ---	DRAFT WHERE APPLICABLE MUST REMAIN WITHIN DIMENSIONS						
	ANGULAR ± 3 °		SIZE A3							

9 8 7 6 5 4 3 2 1