

1 2 3 4 5 6 7

A

B

C

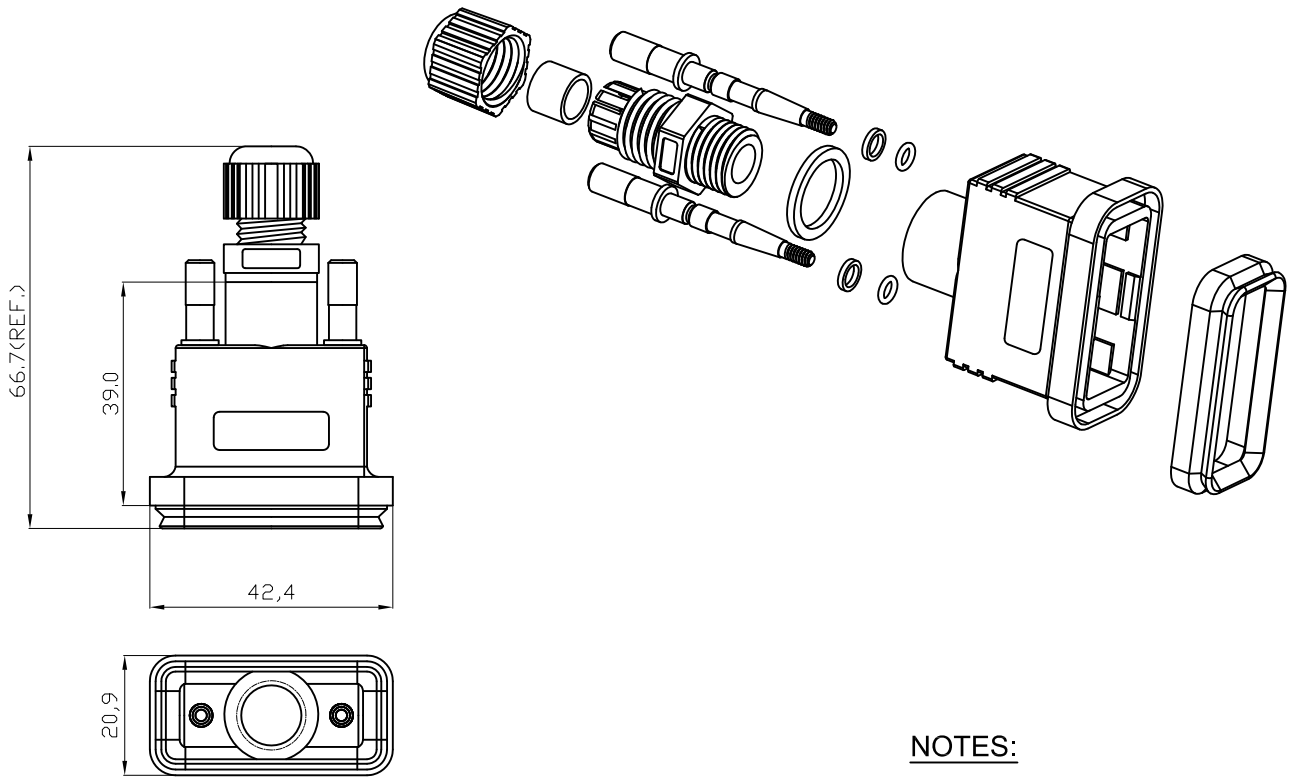
D

E

F

G

H



NOTES:
 1. Waterproof Rate: IP67
 2. Seals for Cable OD: $\phi 3.5\text{mm}-\phi 7.0\text{mm}$
 3. One Set Unassembled in One PE Bag

RoHS compliant

Scale	1:1						Date	Name	Customer-No.
TOLERANCE						Drawn	31.12.2008	JACK	ASSMANN WSW-No. A-HOOD-09/15
X.X	± 0.5					Approved	25.12.2009	Hellwig	
X.XX	$\pm X$								
X.XXX	$\pm X$								
DIM	TOL	②	Modify drawing	25.12.2009	Dean	ASSMANN WSW components		Drawing-No.	ASS 3292 CO rev02
X°	$\pm X^\circ$							Replace	
X.X°	$\pm X^\circ$	①	Drawn	31.12.2008	JACK			Sheet	
Angle	TOL	Id.	Modification	Date	Name				

1 2 3 4 5 6 7