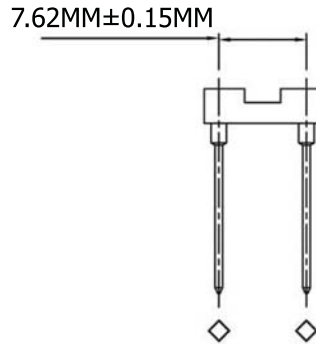
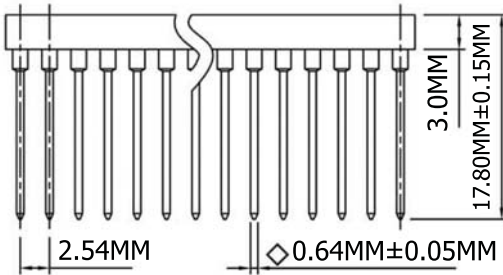
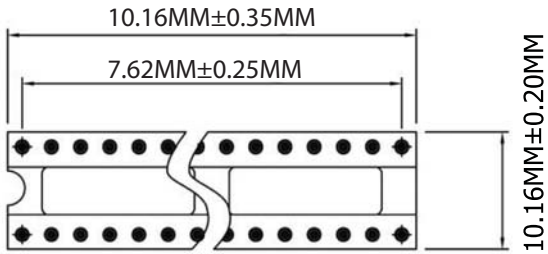
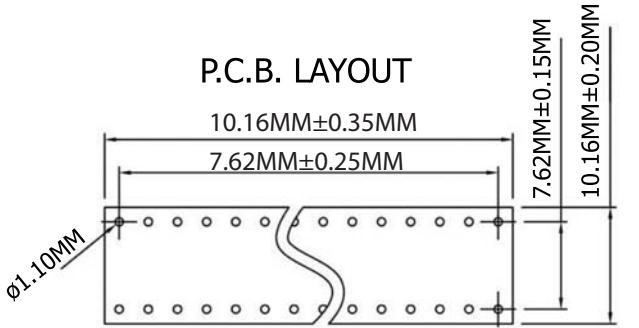


P.C.B. LAYOUT



Materials

Pin (outer sleeve) : Brass,machined, CuZn38Pb2
 Clip (contact 4 finger) : Beryllium copper, heat treated or PHBZ
 Plating (outer sleeve) : Tin plated : 2µm/80µ"nickel,5µm/200µ" Tin
 Plating clip (contact): 2µm/80µ"nickel, Gold
 Insulator body (black) : Glass filled thermoplastic polyester UL94V-0

Electrical

Current rating : 3 Amps/contact max.
 Contact resistance : Max 4mΩ
 Insulation resistance : Min 10,000mΩ @ 500 V AC
 Operating Voltage : 100 VRMS / 150 V AC

Mechanical

Operating temperature : Tin plated: -40°C to +105°C
 Average insertion force
 with steel pin of: 0.43mm/0.017" < 250g
 Average withdrawal force
 with steel pin of: 0.43mm/0.017" > 50g
 Mechanical life : min.200
 Packaging: Tube

A
B
C
D
E
F
G
H

A
B
C
D
E
F
G
H



Scale	1:1						Name
TOLERANCE					Drawn	11.02.11	Chappell
X.X	±0.40				Approved		
X.XX	±0.25						
X.XXX	±0.15						
Angle	±3°						
		Modification		Date	Name		

Item No.		AR08-HZW/T-R
Title		
Drawing No.		rev00
Replace	Sheet	

