

## 40W Power Packaged Transistor

### GaN HEMT on SiC

#### Description

The CHK040A-SOA is an unmatched packaged Gallium Nitride High Electron Mobility Transistor. It offers general purpose and broadband solutions for a variety of RF power applications. It is well suited for multi-purpose applications such as radar and telecommunication

The CHK040A-SOA is developed on a 0.5µm gate length GaN HEMT process. It requires an external matching circuitry.

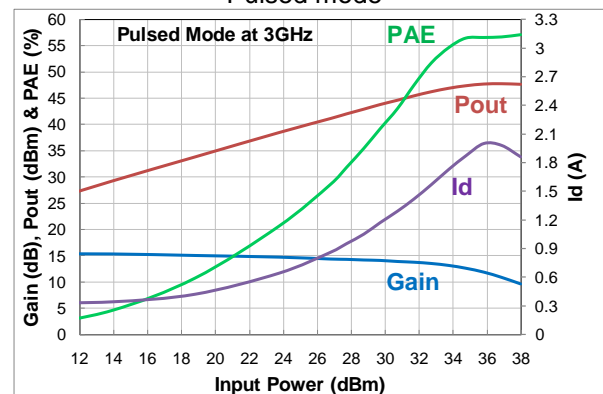
The CHK040A-SOA is available in a ceramic-metal flange power package providing low parasitic and low thermal resistance.



#### Main Features

- Wide band capability: up to 3.5GHz
- Pulsed and CW operating modes
- High power: > 45W
- High Efficiency: up to 70%
- DC bias:  $V_{DS} = 50V @ I_{D,Q} = 300mA$
- MTTF >  $10^6$  hours @  $T_j = 200^\circ C$
- RoHS Flange Ceramic package

$V_{DS} = 50V, I_{D,Q} = 300mA, Freq = 3GHz$   
Pulsed mode



Intrinsic performances of the packaged device

#### Main Electrical Characteristics

$T_{case} = +25^\circ C$ , Pulsed mode,  $F = 3GHz$ ,  $V_{DS} = 50V$ ,  $I_{D,Q} = 300mA$

Symbol	Parameter	Min	Typ	Max	Unit
$G_{SS}$	Small Signal Gain	16	18	-	dB
$P_{SAT}$	Saturated Output Power	45	55	-	W
PAE	Max Power Added Efficiency	55	60	-	%
$G_{PAE\_MAX}$	Associated Gain at Max PAE		13	-	dB

## Recommended DC Operating Ratings

T<sub>case</sub>= +25°C

Symbol	Parameter	Min	Typ	Max	Unit	Conditions
V <sub>DS</sub>	Drain to Source Voltage	20		50	V	
V <sub>GS_Q</sub>	Gate to Source Voltage		-1.8		V	V <sub>D</sub> =50V, I <sub>D_Q</sub> =300mA
I <sub>D_Q</sub>	Quiescent Drain Current		0.3	1	A	V <sub>D</sub> =50V
I <sub>D_MAX</sub>	Drain Current		2	<sup>(1)</sup>	A	V <sub>D</sub> =50V, Compressed mode
I <sub>G_MAX</sub>	Gate Current (forward mode)		0	24	mA	Compressed mode
T <sub>J_MAX</sub>	Junction temperature			200	°C	

<sup>(1)</sup> Limited by dissipated power

## DC Characteristics

T<sub>case</sub>= +25°C

Symbol	Parameter	Min	Typ	Max	Unit	Conditions
V <sub>P</sub>	Pinch-Off Voltage	-3	-2	-1	V	V <sub>D</sub> =50V, I <sub>D</sub> = I <sub>DSS</sub> /100
I <sub>D_SAT</sub>	Saturated Drain Current		8 <sup>(1)</sup>		A	V <sub>D</sub> =7V, V <sub>G</sub> =2V
I <sub>G_leak</sub>	Gate Leakage Current (reverse mode)	-3			mA	V <sub>D</sub> =50V, V <sub>G</sub> =-7V
V <sub>BDS</sub>	Drain-Source Break-down Voltage		200		V	V <sub>G</sub> =-7V, I <sub>D</sub> =20mA
R <sub>TH</sub>	Thermal Resistance		2.85		°C/W	

<sup>(1)</sup> For information, limited by I<sub>D\_MAX</sub>, see on Absolute Maximum Ratings

## RF Characteristics (CW)

T<sub>case</sub>= +25°C, CW mode, F = 3GHz, V<sub>DS</sub>=50V, I<sub>D\_Q</sub>=300mA

Symbol	Parameter	Min	Typ	Max	Unit
G <sub>SS</sub>	Small Signal Gain	15	17	-	dB
P <sub>SAT</sub>	Saturated Output Power	40	50	-	W
PAE	Max Power Added Efficiency	50	55	-	%
G <sub>PAE_MAX</sub>	Associated Gain at Max PAE		12	-	dB

**RF Characteristics (Pulsed)**T<sub>case</sub>= +25°C, **Pulse mode** <sup>(1)</sup>, F = 3GHz, V<sub>DS</sub>=50V, I<sub>D\_Q</sub>=300mA

Symbol	Parameter	Min	Typ	Max	Unit
G <sub>SS</sub>	Small Signal Gain	16	18		dB
P <sub>SAT</sub>	Saturated Output Power	45	55		W
PAE	Max Power Added Efficiency	55	60		%
G <sub>PAE_MAX</sub>	Associated Gain at Max PAE		13		dB

<sup>(1)</sup> Input RF and gate voltage are pulsed. Conditions are 25µs width, 10% duty cycle and 1µs offset between DC and RF pulse.

These values are the intrinsic performance of the packaged device. They are deduced from measurements and simulations. They are considered in the reference plane defined by the leads of the package, at the connection interface with the PCB.

The typical performance achievable in more than 25% frequency band around 3GHz was demonstrated using the reference board 61499547 presented hereafter.

**Absolute Maximum Ratings**T<sub>case</sub>= +25°C<sup>(1), (2), (3)</sup>

Symbol	Parameter	Rating	Unit	Note
V <sub>DS</sub>	Drain-Source Voltage	60	V	
V <sub>GS_Q</sub>	Gate-Source Voltage	-10, +2	V	<sup>(6)</sup>
I <sub>G_MAX</sub>	Maximum Gate Current in forward mode	72	mA	
I <sub>G_MIN</sub>	Maximum Gate Current in reverse mode	-12	mA	
I <sub>D_MAX</sub>	Maximum Drain Current	6	A	<sup>(4)</sup>
P <sub>IN</sub>	Maximum Input Power (typical)	39	dBm	<sup>(5)</sup>
T <sub>j</sub>	Junction Temperature	220	°C	
T <sub>STG</sub>	Storage Temperature	-55 to +150	°C	
T <sub>Case</sub>	Case Operating Temperature	See note	°C	<sup>(4)</sup>

<sup>(1)</sup> Operation of this device above anyone of these parameters may cause permanent damage.

<sup>(2)</sup> Duration < 1s.

<sup>(3)</sup> The given values must not be exceeded at the same time even momentarily for any parameter, since each parameter is independent from each other, otherwise deterioration or destruction of the device may take place.

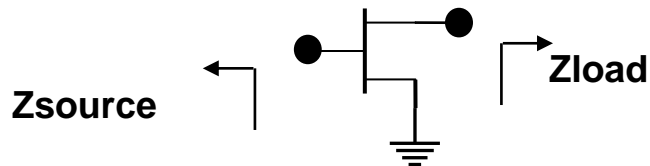
<sup>(4)</sup> Max junction temperature must be considered

<sup>(5)</sup> @3GHz - Linked to and limited by I<sub>G\_MAX</sub> & I<sub>G\_MIN</sub> values

<sup>(6)</sup> V<sub>GS\_Q</sub> max limited by I<sub>D\_MAX</sub> and I<sub>G\_MAX</sub> values

## Simulated Source and Load Impedance

$V_{DS} = 50V$ ,  $I_{D_Q} = 300mA$



Frequency (MHz)	Source	Load
500	$1 + j4.5$	$21.6 + j7$
1000	$1 + j1.9$	$15.3 + j14.3$
2000	$1.3 - j1.9$	$5 + j7.9$
3000	$1.4 - j4.8$	$2.8 + j2.3$
3500	$0.8 - j6.7$	$2.3 + j0.2$

These values are given in the reference plane defined by the connection between the package leads and the PCB. A gap of  $200\mu m$  is considered between the edge of the package and the PCB.

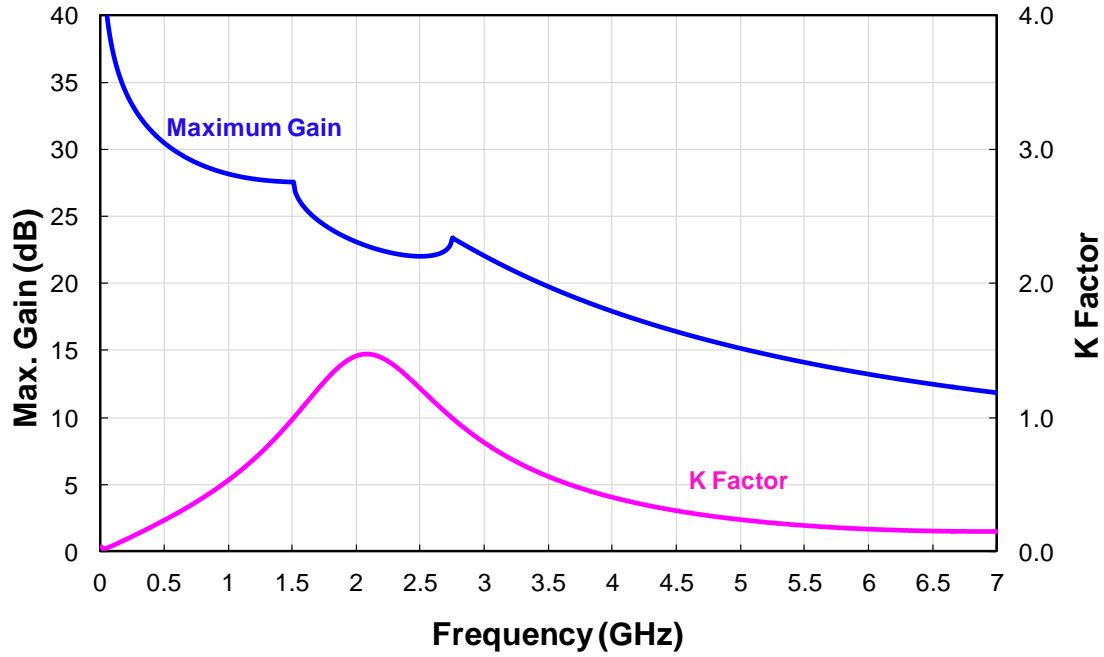
## Typical S-parameters

T<sub>case</sub>= +25°C, CW mode, V<sub>D</sub>=50V, I<sub>D\_Q</sub>=300mA, Phase S(i,j) in °

Freq (GHz)	Mag S(1,1)	Phase S(1,1)	Mag S(2,1)	Phase S(2,1)	Mag S(1,2)	Phase S(1,2)	Mag S(2,2)	Phase S(2,2)
0	0.99	0.00	102.98	-180.00	0.0000	180.00	0.53	0.00
0.25	0.89	-148.78	26.70	94.89	0.0120	8.67	0.37	-127.84
0.5	0.90	-165.08	13.34	77.63	0.0120	-4.55	0.42	-137.95
0.75	0.90	-171.34	8.59	65.80	0.0110	-11.66	0.50	-141.46
1	0.91	-175.14	6.13	55.96	0.0090	-15.55	0.57	-144.97
1.25	0.92	-178.05	4.64	47.41	0.0080	-16.10	0.63	-148.80
1.5	0.93	179.44	3.65	39.85	0.0060	-12.17	0.69	-152.71
1.75	0.93	177.13	2.95	33.12	0.0050	-2.19	0.73	-156.53
2	0.94	174.95	2.45	27.06	0.0050	13.92	0.77	-160.17
2.25	0.94	172.84	2.06	21.58	0.0050	31.44	0.80	-163.60
2.5	0.95	170.78	1.77	16.56	0.0060	44.67	0.82	-166.83
2.75	0.95	168.74	1.54	11.94	0.0070	52.66	0.84	-169.87
3	0.95	166.71	1.36	7.63	0.0080	56.95	0.86	-172.76
3.25	0.95	164.67	1.22	3.58	0.0100	58.94	0.87	-175.50
3.5	0.95	162.61	1.10	-0.26	0.0120	59.51	0.88	-178.13
3.75	0.95	160.53	1.00	-3.92	0.0130	59.18	0.89	179.33
4	0.96	158.40	0.93	-7.46	0.0150	58.27	0.90	176.87
4.25	0.95	156.21	0.86	-10.90	0.0170	56.96	0.90	174.46
4.5	0.95	153.96	0.81	-14.26	0.0190	55.36	0.91	172.08
4.75	0.95	151.63	0.76	-17.59	0.0200	53.56	0.91	169.73
5	0.95	149.21	0.73	-20.90	0.0220	51.60	0.92	167.39
5.25	0.95	146.67	0.70	-24.22	0.0240	49.50	0.92	165.04
5.5	0.95	144.01	0.68	-27.57	0.0270	47.28	0.92	162.66
5.75	0.95	141.19	0.66	-30.99	0.0290	44.94	0.92	160.25
6	0.94	138.20	0.65	-34.51	0.0310	42.48	0.92	157.78
6.25	0.94	134.99	0.64	-38.14	0.0340	39.89	0.92	155.24
6.5	0.93	131.54	0.64	-41.93	0.0370	37.14	0.92	152.61
6.75	0.93	127.81	0.64	-45.92	0.0400	34.22	0.92	149.87
7	0.92	123.74	0.65	-50.14	0.0430	31.10	0.92	146.99
7.25	0.92	119.28	0.66	-54.64	0.0470	27.73	0.91	143.95
7.5	0.91	114.35	0.68	-59.48	0.0510	24.07	0.91	140.70
7.75	0.90	108.86	0.70	-64.72	0.0550	20.05	0.91	137.23
8	0.89	102.71	0.73	-70.44	0.0610	15.61	0.90	133.46
8.25	0.88	95.78	0.76	-76.71	0.0660	10.66	0.90	129.35
8.5	0.87	87.92	0.80	-83.64	0.0730	5.10	0.89	124.82
8.75	0.85	78.95	0.84	-91.33	0.0800	-1.18	0.89	119.78
9	0.83	68.71	0.89	-99.89	0.0880	-8.30	0.88	114.10
9.25	0.82	57.03	0.95	-109.45	0.0970	-16.37	0.87	107.63
9.5	0.80	43.79	1.00	-120.09	0.1060	-25.51	0.87	100.14
9.75	0.79	28.98	1.05	-131.91	0.1150	-35.83	0.86	91.38
10	0.78	12.80	1.10	-144.94	0.1230	-47.36	0.85	81.00

**Maximum Gain & Stability Characteristics**

T<sub>case</sub>= +25°C, CW mode, V<sub>D</sub>=50V, I<sub>D\_Q</sub>=300mA

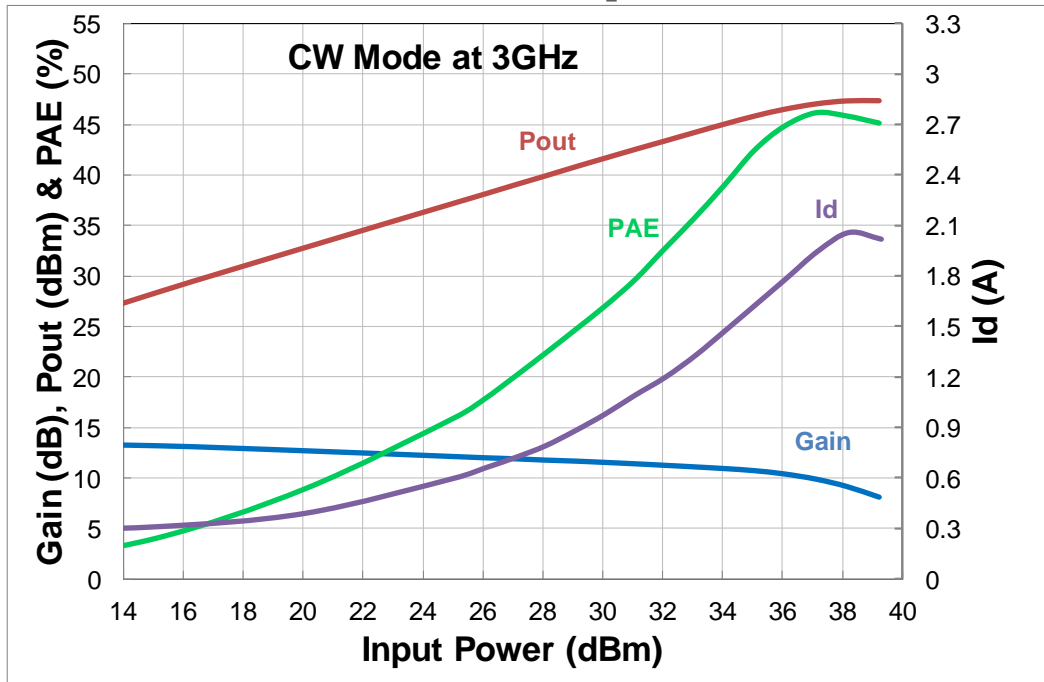


Typical Performance on Demonstration Board (Ref. 61499547)

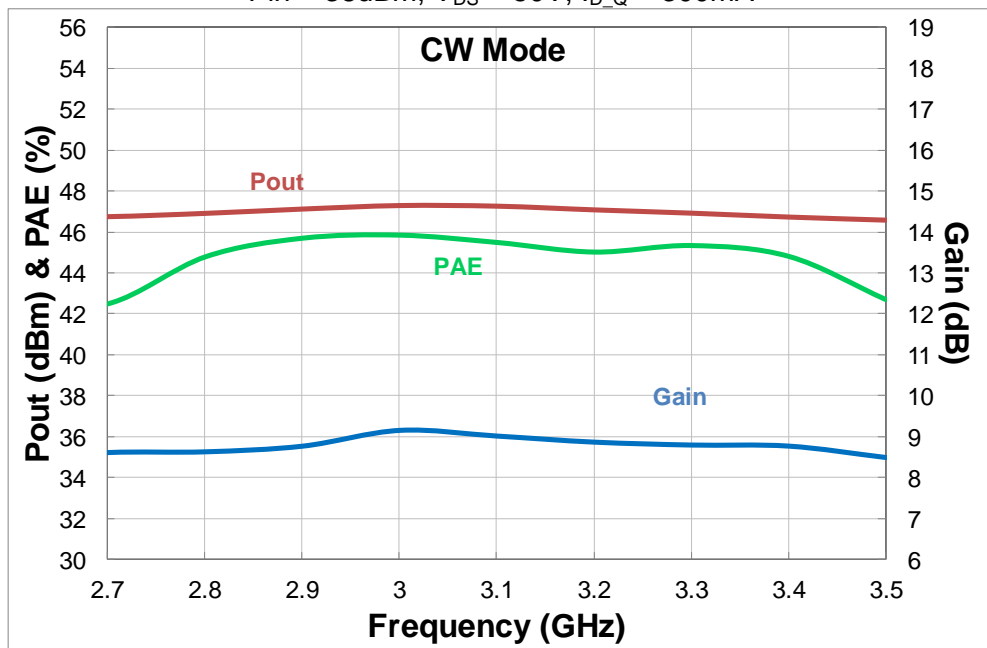
Calibration and measurements are done on the connector reference accesses of the demonstration boards.

T<sub>case</sub> = +25°C, CW mode

Measured Id, Pout, Gain & PAE  
 F = 3GHz, V<sub>DS</sub> = 50V, I<sub>D,Q</sub> = 300mA



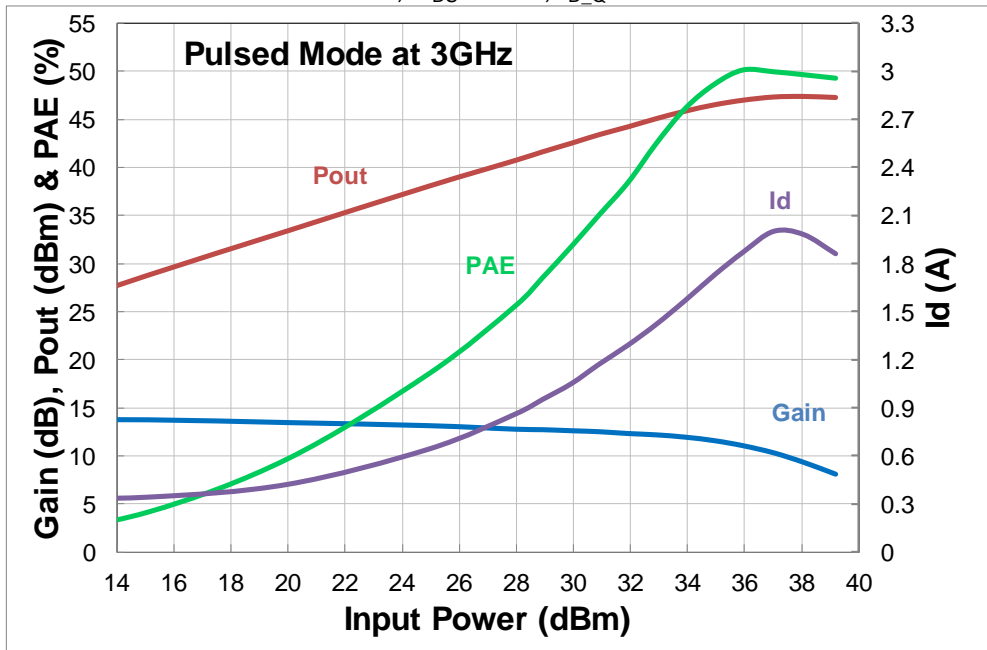
Measured Gain, Pout & PAE  
 Pin = 38dBm, V<sub>DS</sub> = 50V, I<sub>D,Q</sub> = 300mA



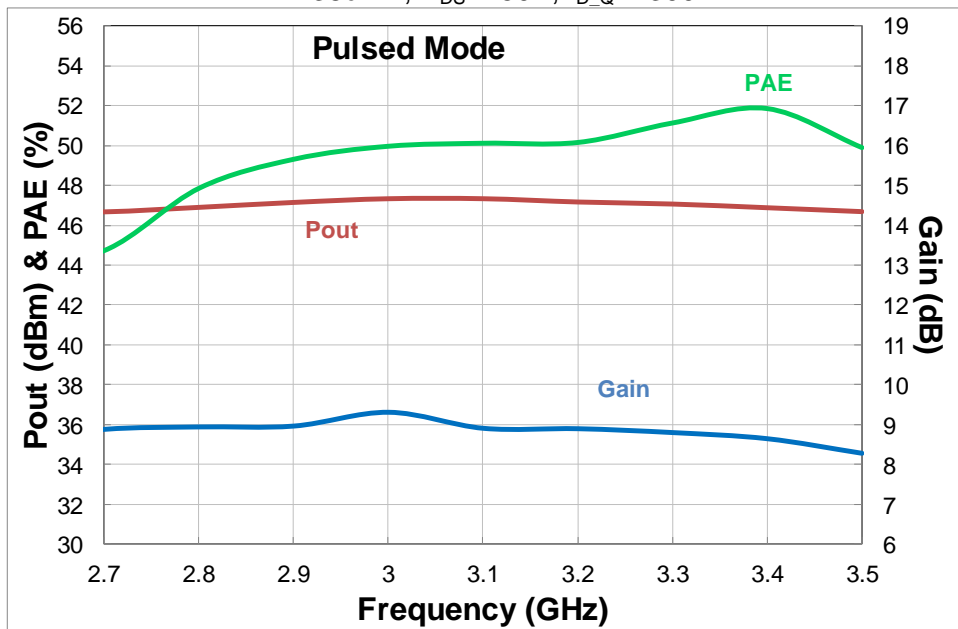
Typical Performance on Demonstration Board (Ref. 61499547)

Calibration and measurements are done on the connector reference accesses of the demonstration boards

T<sub>case</sub> = +25°C, Pulsed mode <sup>(1)</sup>  
 Measured Id, P<sub>out</sub>, Gain & PAE  
 F = 3GHz, V<sub>DS</sub> = 50V, I<sub>D\_Q</sub> = 300mA



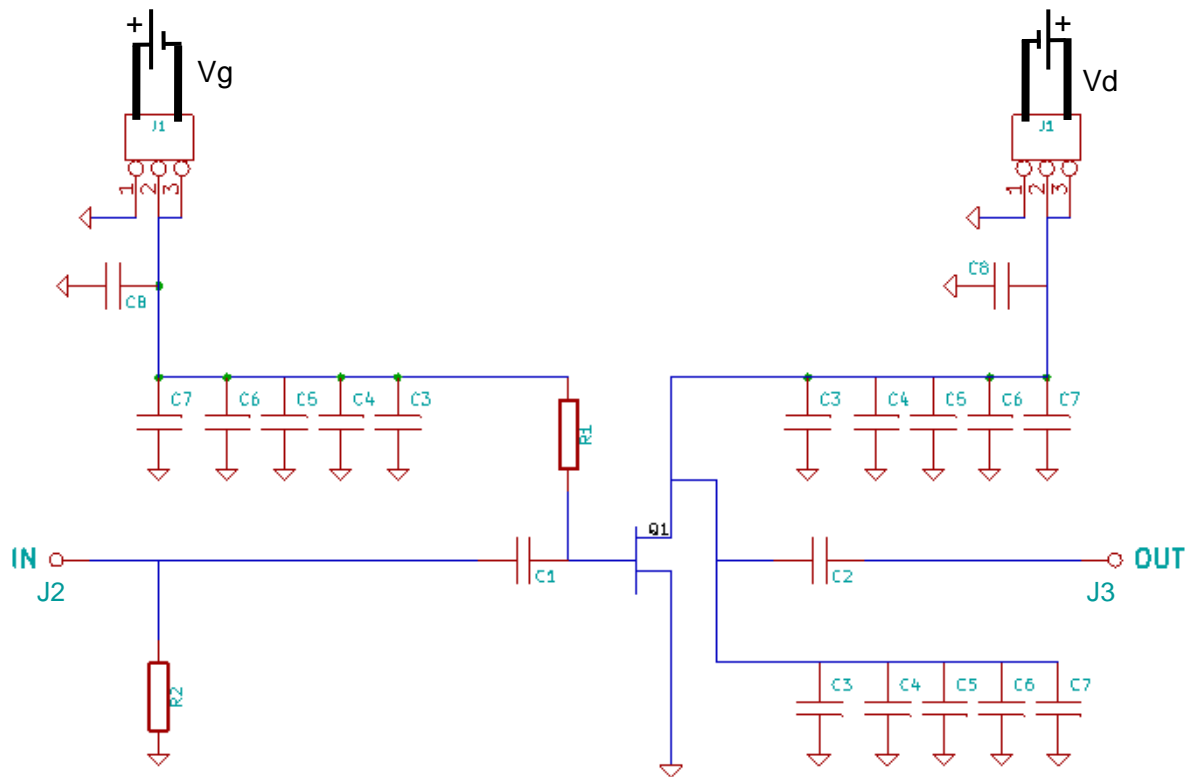
Measured Gain, Pout & PAE  
 Pin = 38dBm, V<sub>DS</sub> = 50V, I<sub>D\_Q</sub> = 300mA



<sup>(1)</sup> Input RF and gate voltage are pulsed. Conditions are 25µs width, 10% duty cycle and 1µs offset between DC and RF pulse.



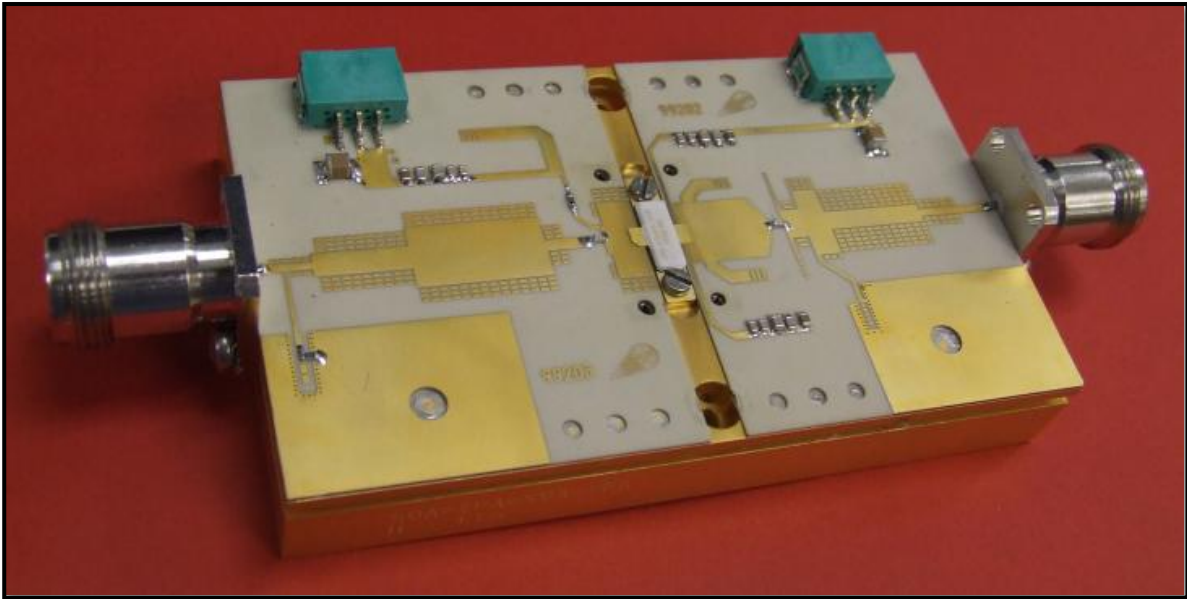
### Demonstration Amplifier Low Frequency Equivalent Schematic (Ref. 61499547)



### Demonstration Amplifier / Bill of Materials (Ref. 61499547)

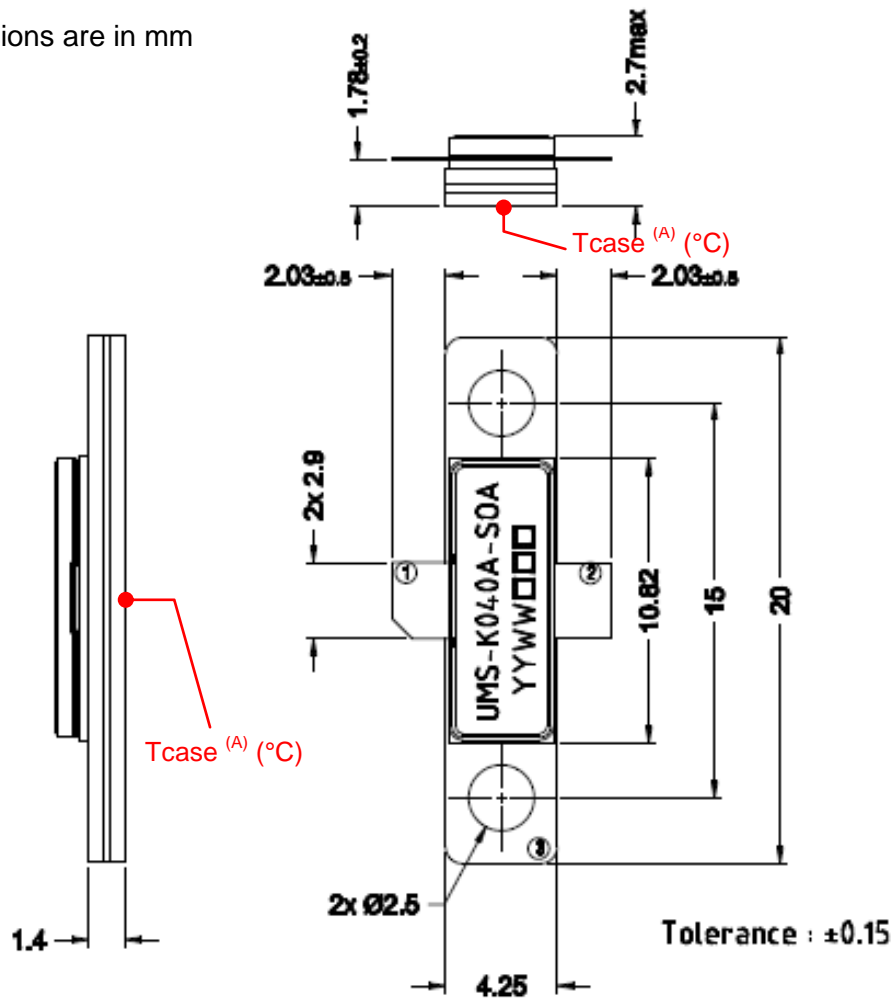
Designator	Type	Value - Description	Qty
C1	Capacitor	1.5pF, +/- 0.1pF, 0603	1
C2	Capacitor	2.7pF, +/- 0.1pF, 0603	1
C3	Capacitor	8.2pF, +/- 0.25%, 0603	3
C4	Capacitor	82pF, +/- 5%, 0603	3
C5	Capacitor	240pF, +/- 5%, 0805	3
C6	Capacitor	1nF, +/- 5%, 0805	3
C7	Capacitor	10nF, +/- 5%, 0805	3
C8	Capacitor	1μF, +/- 10%, 1204	2
R1	Resistor	90.9Ω, +/- 1%, 0603	1
R2	Resistor	5,1Ω +/- 1%, 0603	1
J1	Connector	CMS 3cts	2
J2, J3	Connector	N	2
Q1	Packaged Transistor	CHK040A-SOA	1
-	PCB	RO4003, Er=3.55, h=0.508mm	-

**Demonstration Amplifier Circuit (Ref. 61499547)**



## Package outline

All dimensions are in mm



**PIN-OUT:** 1- GATE  
2- DRAIN  
3- SOURCE (Gnd)

<sup>(A)</sup>  $T_{case}$  locates the reference point used to monitor the device temperature. This point has been taken at the device / system interface to ease system thermal design. Chamfered lead indicates the gate access of the packaged transistor.

## Recommended Assembly Procedure

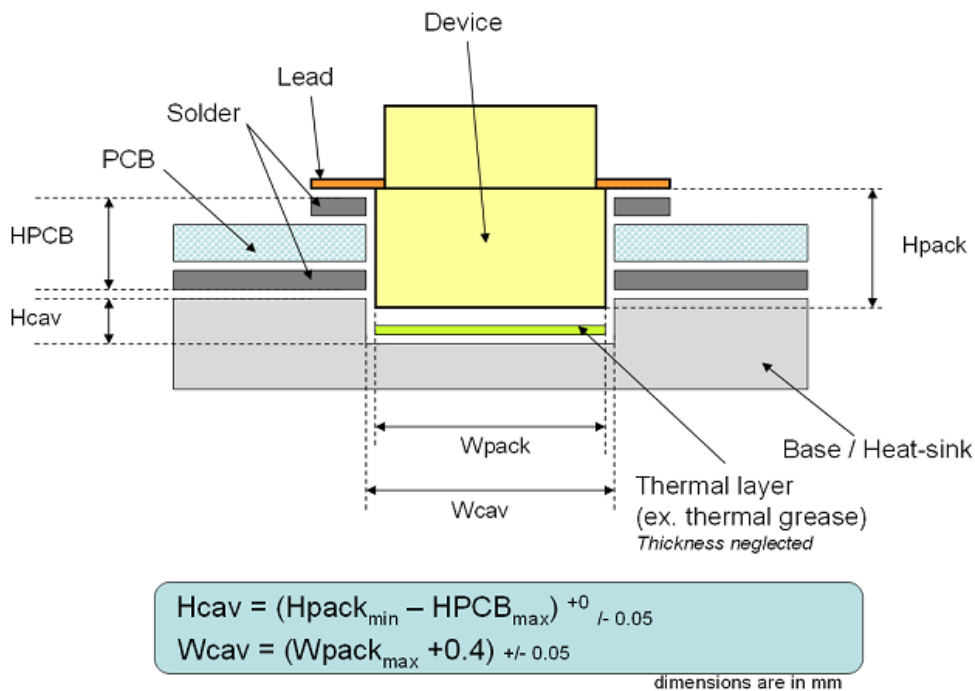
CHK040A-SOA is available has a flange package to be bolt down onto a thermal heat sink also used as main electrical ground. Use preferably screw M2 and flat washers.

Thermal and electrical resistance at the package to heat sink interface has to be as low as possible. Thermal electrically conductive grease or conductive thin layer like indium sheets are recommended between the package and the heat sink.

In case a thermal grease is selected, we recommend to use material offering thermal conductivity  $>5\text{W/m.K}$  and electrical resistivity  $<0.01\text{ ohm.cm}$ . The grease layer thickness should be about  $25\mu\text{m}$  (1 mil).

Contact interface quality can be improved by cleaning process prior device mounting on the heat-sink. Such operation will enhance the thermal and electrical contact by oxide removal at each interface.

Package leads can be soldered on printed circuit board's traces by using RoHS solder past. Cavity depth and width to be performed into the heat-sink where the device will be mounted are important to achieve the best performances. These dimensions have to be optimized in order to minimize the distance between device and signal traces made on the printed circuit board (PCB). But they also have to be calculated in order to accommodate device variations in height. The following drawing gives the relationship between device dimensions ( $H_{\text{pack}}$  &  $W_{\text{pack}}$ ) and optimal cavity depth ( $H_{\text{cav}}$ ) and width ( $W_{\text{cav}}$ ) depending on the printed circuit-board configuration ( $H_{\text{PCB}}$ )



**Notes**

## Recommended environmental management

UMS products are compliant with the regulation in particular with the directives RoHS N°2011/65 and REACH N°1907/2006. More environmental data are available in the application note AN0019 also available at <http://www.ums-gaas.com>.

## Recommended ESD management

Refer to the application note AN0020 available at <http://www.ums-gaas.com> for ESD sensitivity and handling recommendations for the UMS package products.

## Ordering Information

Package: CHK040A-SOA/XY  
Tray: XY = 26

Information furnished is believed to be accurate and reliable. However **United Monolithic Semiconductors S.A.S.** assumes no responsibility for the consequences of use of such information nor for any infringement of patents or other rights of third parties which may result from its use. No license is granted by implication or otherwise under any patent or patent rights of **United Monolithic Semiconductors S.A.S.**. Specifications mentioned in this publication are subject to change without notice. This publication supersedes and replaces all information previously supplied. **United Monolithic Semiconductors S.A.S.** products are not authorised for use as critical components in life support devices or systems without express written approval from **United Monolithic Semiconductors S.A.S.**