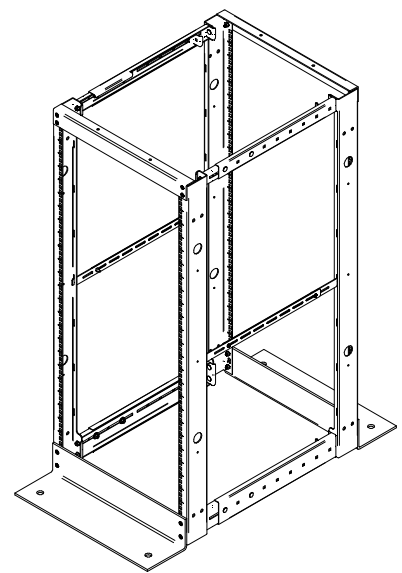
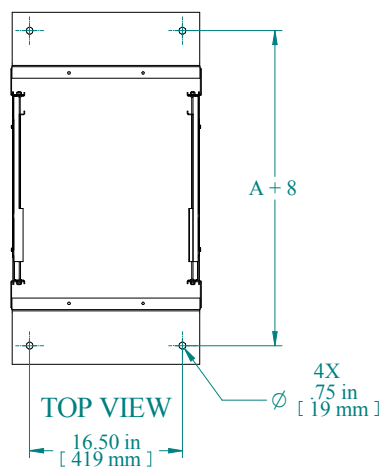
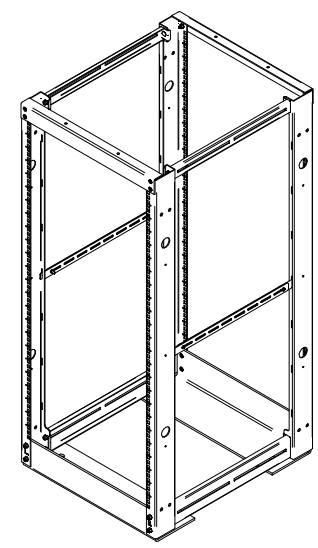


PART No.	A (Depth)
DC4R24	24" - 36"

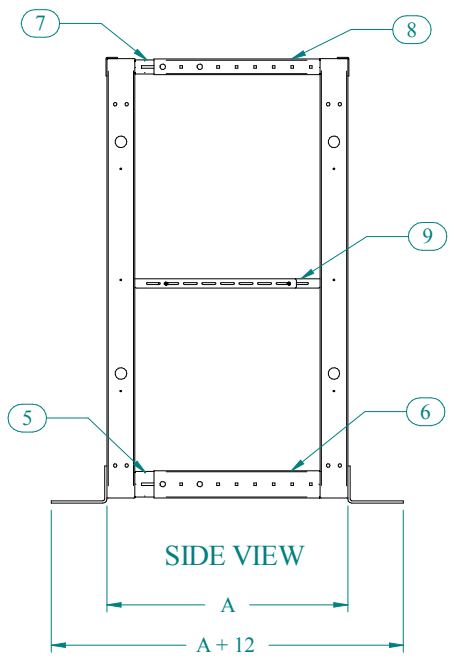
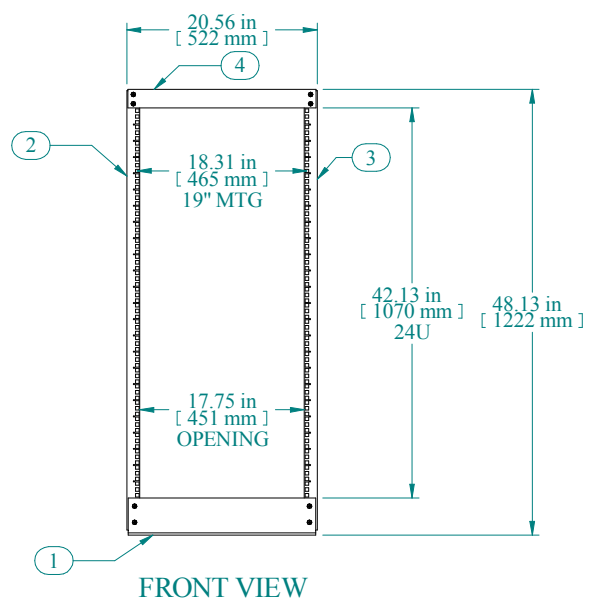
NOTE: DIM "A" (DEPTH) IS FULLY ADJUSTABLE.



FEET OUT



FEET IN



Item Number	Title	Quantity
1	DC4R - BASE ANGLE	2
2	DN4R - LH RAIL	2
3	DN4R - RH RAIL	2
4	DC4R TOP ANGLE	2
5	4 POST RELAY RACK DEPTH BRKT	2
6	4 POST RELAY RACK DEPTH BRKT	2
7	4 POST RELAY RACK DEPTH BRKT	2
8	4 POST RELAY RACK DEPTH BRKT	2
9	DN4R - CABLE TIE BAR	4

PART NUMBERS	
DC4R24	PAINTED BLACK THIN FILM

NOTES
Shipped knockdown for handling ease & protection
Ease of assembly with self centering hardware
Includes assembly hardware
See Hammond Website for Additional Accessories

Data subject to change without notice. Isometric drawing not to scale.



**HAMMOND  
MANUFACTURING™**

www.hammondmfg.com

PART NO. DC4R24