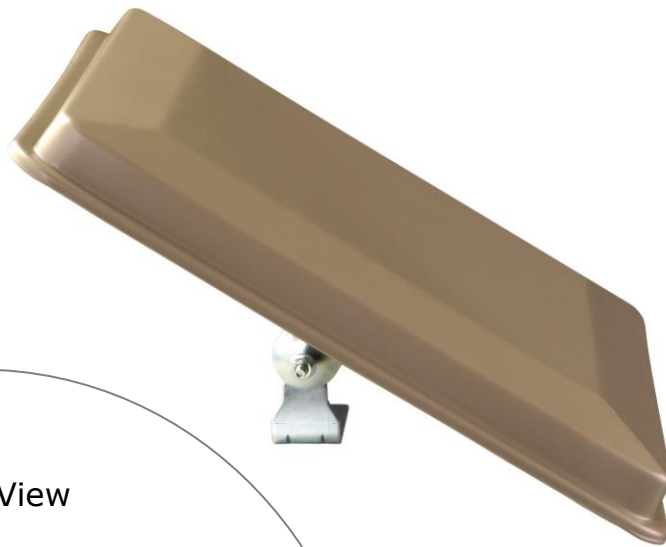


## SPECIFICATION

Part No. : **FG.PANEL.03**

Product Name : **2400-2500MHz Panel antenna**

Dimensions : 390\*390mm



Back View



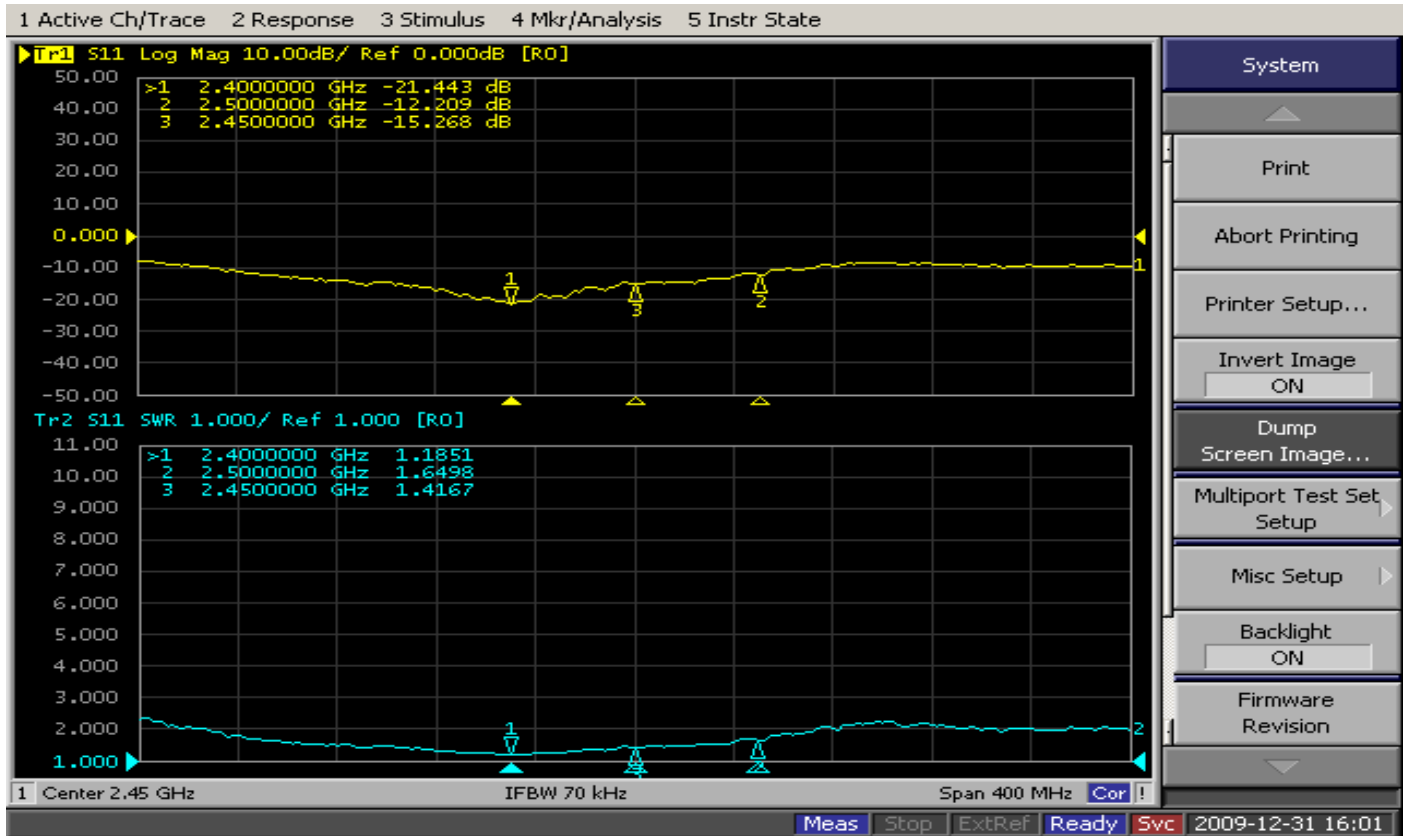
# 1. Antenna Performance

No	Parameter	Specification
1	Communication System	Wireless LAN
2	Frequency Band	2.4 – 2.5 GHz
3	VSWR	< 1.5:1
4	Return Loss	<-15dB
5	Gain	18 dBi
6	Impedance	50 Ohm
7	Antenna Type	PCB patch Array
8	Polarization	Vertical or Horizontal
9	Input Power	MAX 150w
10	Horizontal Beamwidth	18°
11	Vertical Beamwidth	18°

## 1.1 Mechanical Properties

No	Parameter	Specification
1	Length	390*390mm
2	Diameter	25mm
3	Weight	2000g
4	Wind Survival	>120mph
5	Radome Material	ABS & UV resistance
6	Operating Temp.	-40 deg C ~ +80 deg C
7	Light Port	DC Grounded

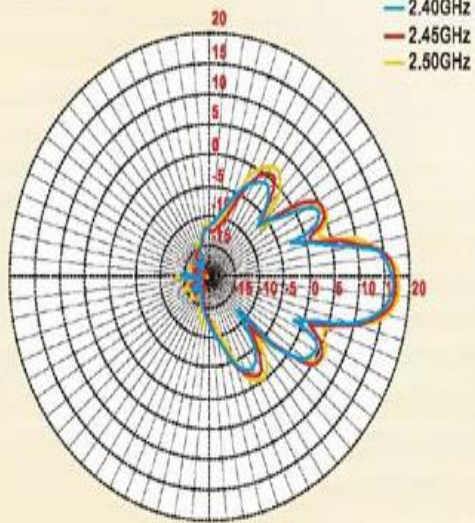
## 2. Return Loss and VSWR



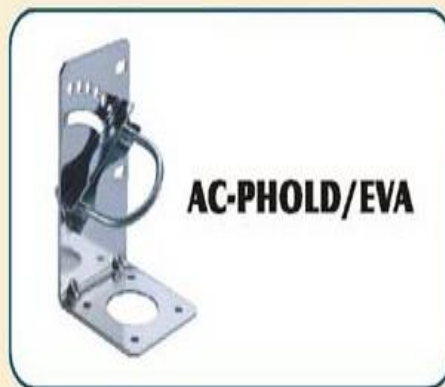
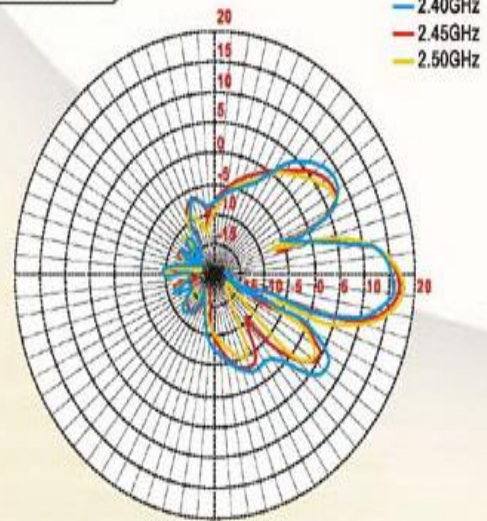
### 3. Antenna Gain Patterns and Holder

#### Antenna Gain Patterns

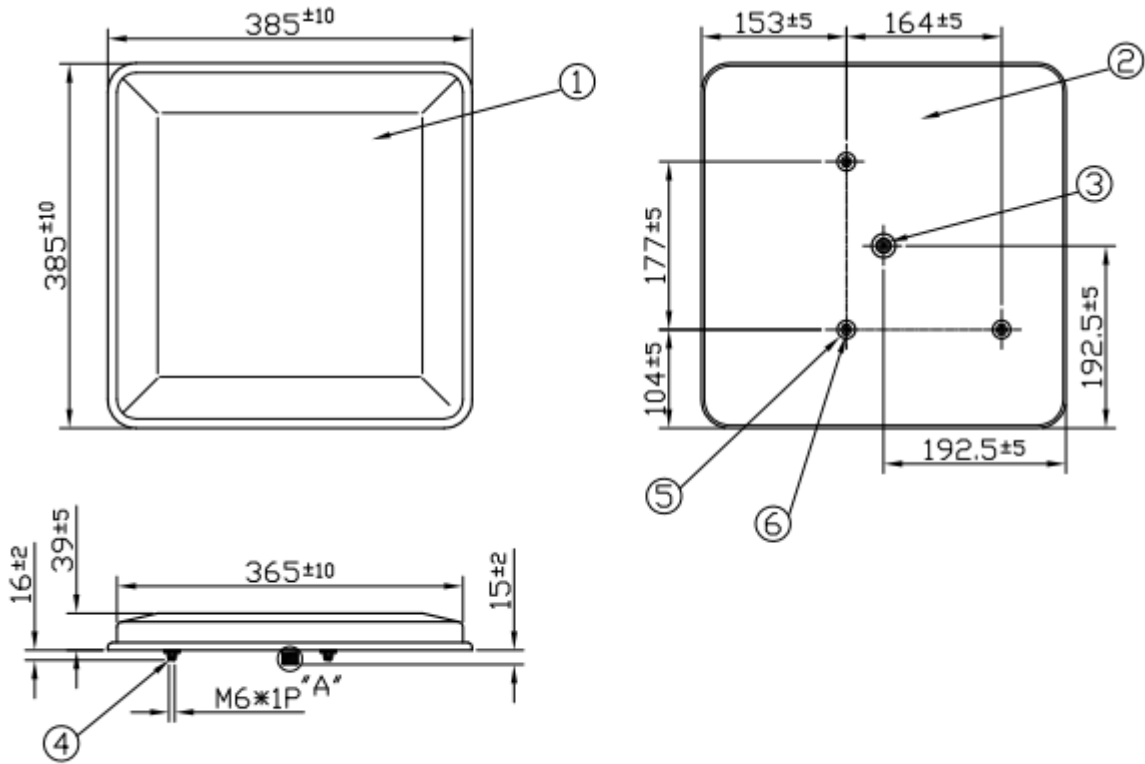
Horizontal



Vertical



## 4. Mechanical Drawing



	Name	Material	Finish	QTY
①	Housing Up	ABS	Brown	1
②	Housing Bottom	ABS	Brown	1
③	N TYPE (F) ST	Brass	Ni Plated	1
④	Screw	Steel	Ni Plated	3
⑤	Washer	Steel	Ni Plated	3
⑥	Nut	Steel	Ni Plated	3

## 4.1 Connector Drawing

