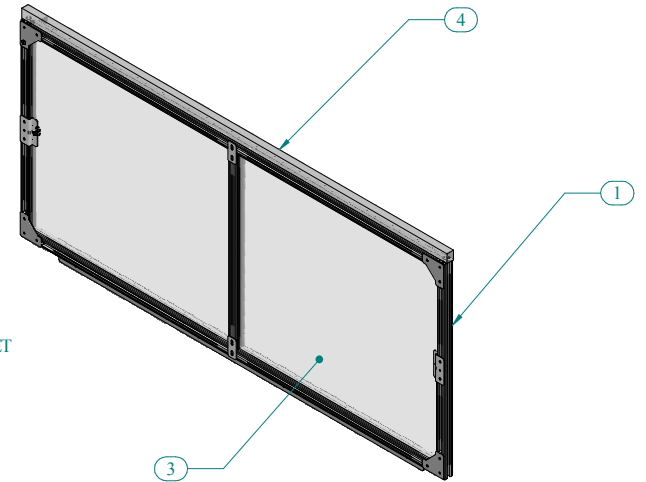
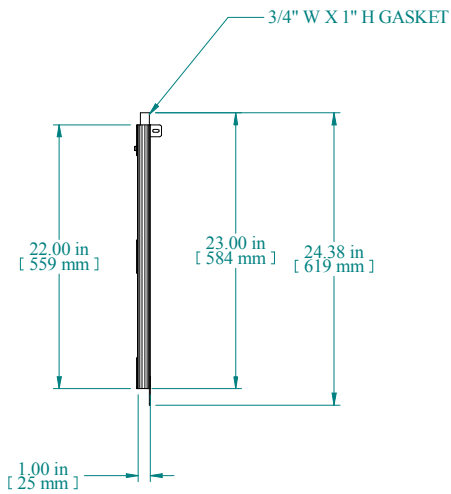


2

FLUTE DIRECTION



ITEM NUMBER	TITLE
1	1X1 EXTRUDED ALUMINUM FRAME
2	MOUNTING BRACKET
3	MULTI-WALL POLYCARBONATE PANEL
4	GASKET

NOTES	
Designed For 48" Wide Aisle	
Extruded Aluminum Frame	
Multi-Wall Polycarbonate Panel Fire Rated to CAN/ULC-S102.2	
Gasket Material Fire Rated to UL94HF1	
Includes Mounting Hardware	

Data subject to change without notice. Isometric drawing not to scale.



**HAMMOND
MANUFACTURING™**

www.hammondmfg.com

PART NO. HCS-TEP-2248