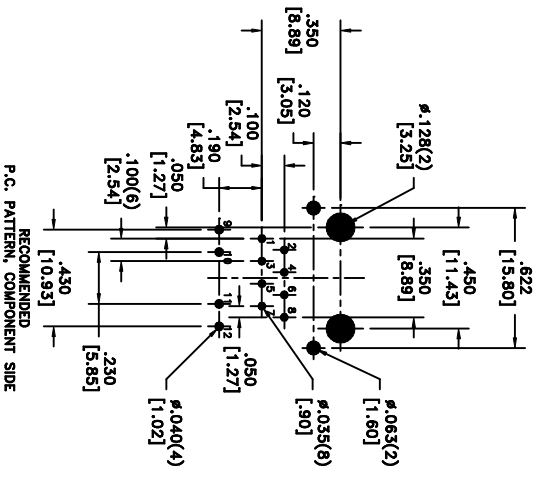
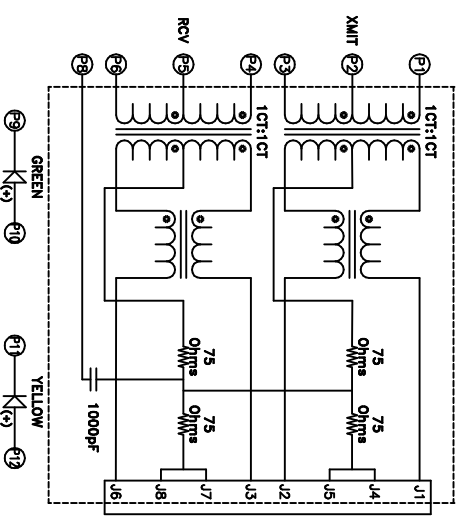


LOT CODE & DATE CODE

**ELECTRICAL SPECIFICATIONS @ 25°C unless otherwise noted:**

- INDUCTANCE: 350uH min., 100KHz, 100mV, 8mADC, J1-J2, J3-J6, Ip.
- DIELECTRIC RATING: 1500Vrms for 1 minute between P1-J1(the P1+P4).
- TURNS RATIO/POLARITY: (P1-P3):(J1-J2) = 1:1, ±2%.  
(P4-P6):(J3-J6) = 1:1, ±2%.
- INSERTION LOSS: -1.0dB max, 1MHz - 100MHz.
- RETURN LOSS: -18dB min., 1M - 30MHz.  
-16dB min., 30M - 45MHz.  
-14dB min., 45M - 60MHz.  
-12dB min., 60M - 80MHz.
- CROSSTALK: -35dB min., 1MHz - 100MHz.
- COMMON MODE REJECTION: -35dB min., 1MHz - 100MHz.
- OPERATING TEMPERATURE RANGE: 0°C to +70°C.



P.C. PATTERN, COMPONENT SIDE

**Midcom, Inc.**  
Watertown, SD USA  
Toll Free: 800-643-2661  
Fax: 605-886-4486

Unless otherwise specified:  
Tolerances: Fractions: ±1/64  
Angles: ±1° Decimals: ±.010 [.25]  
This drawing is dual dimensioned. Dimensions in brackets are in millimeters.

DRAWING TITLE  
**TRANSFORMER**  
RJ45-T8

**Midcom**

DRAWING NO. **MIC24311-0101T**  
AGENCY NUMBER **UL60950-1 E205930**  
REVISIONS: SEE SHEET 1  
SCALE ---  
SHEET 2 OF 6

AGENCY NUMBER	UL60950-1	E205930
REV.	6D	11/06