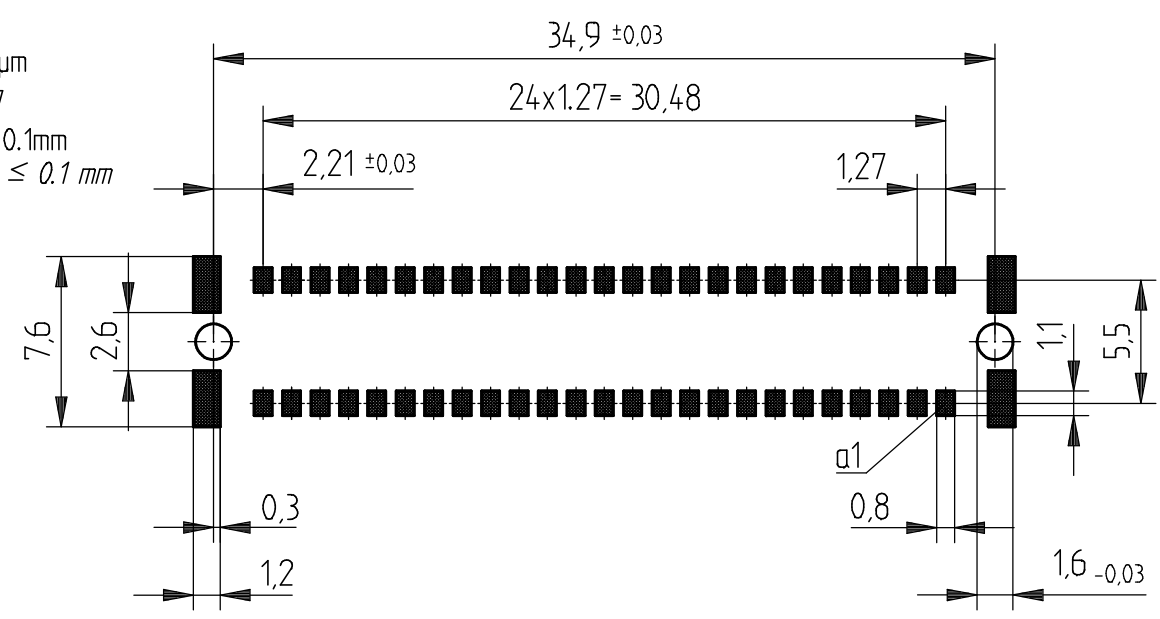
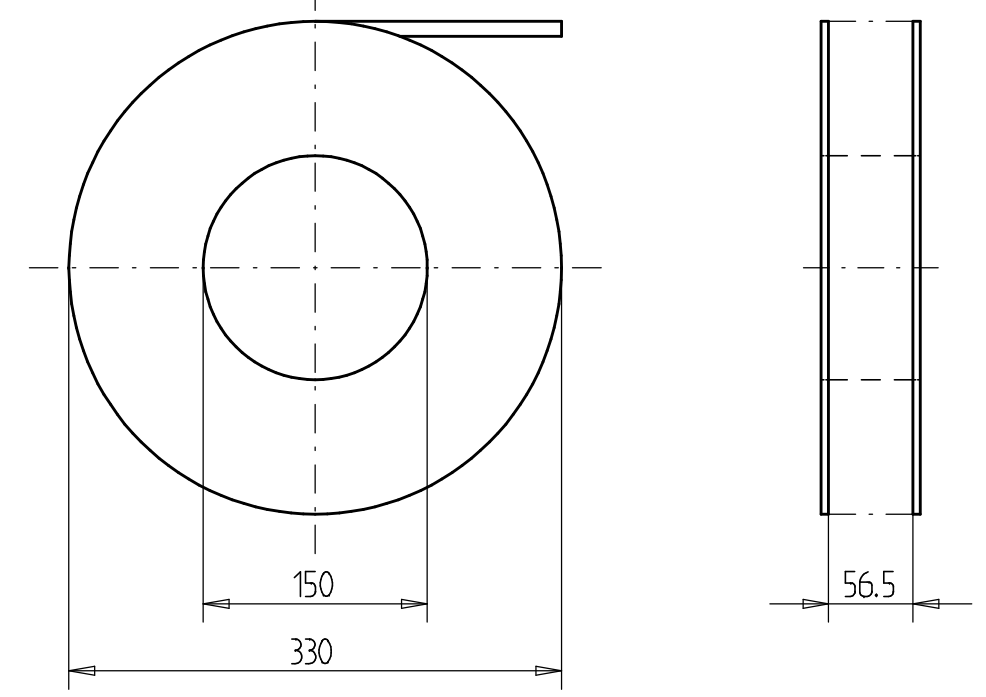


Anforderungsstufe 1
Performance Level 1
Kontaktbereich vergoldet
Mating Area gold plating
Anschlussbereich verzinkt 4-6 µm
Terminal Area 4-6 µm tin plating
Koplanarität der Anschlüsse ≤ 0.1mm
Coplanarity Area of Termination ≤ 0.1 mm

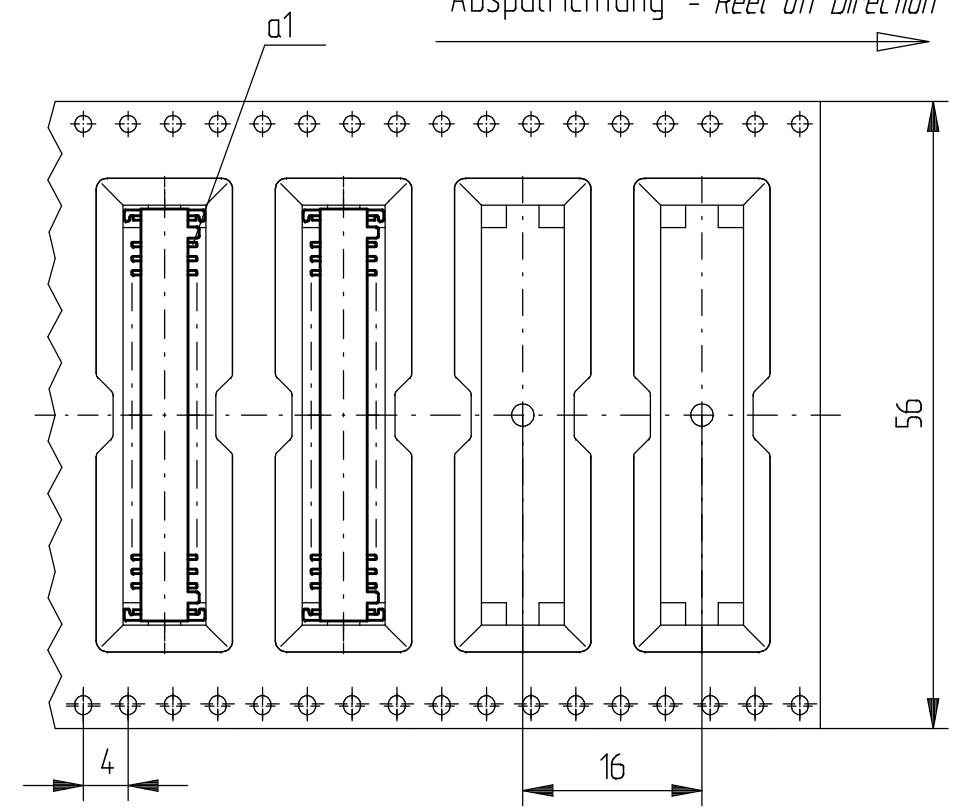
Leiterplatten-Layout Vorschlag für SMT
PCB-Layout Proposal for SMT



Verpackt in Gurtverpackung - Tape on Reel Packaging
Verpackungseinheit: 280 Stück - Packaging unit: 280 pcs



Abspulrichtung - Reel off Direction



8mm Bauhöhe
low profile

Information: All rights reserved. Only for information. To insure that this is the latest version of this drawing, please contact one of the ERNI companies before using.	Tolerances All Dimensions in mm	Scale 3:1									
	Subject to modification without prior notice. Drawing will not be updated.	Designation Messerleiste SMC-Q, 50 polig Male Conn. SMC-Q, 50 contacts									
<table border="1"> <tr> <td>d</td> <td>13.02.2008</td> <td rowspan="2"> www.ERNI.com </td> <td rowspan="2">101000100001</td> <td rowspan="2">K</td> </tr> <tr> <td>Index</td> <td>Date</td> </tr> </table>	d	13.02.2008	www.ERNI.com	101000100001	K	Index	Date	<table border="1"> <tr> <td>M:00068520.SZA</td> <td>SMCQ</td> </tr> </table>		M:00068520.SZA	SMCQ
d	13.02.2008	www.ERNI.com				101000100001	K				
Index	Date										
M:00068520.SZA	SMCQ										

Consider protection memo from DIN 34