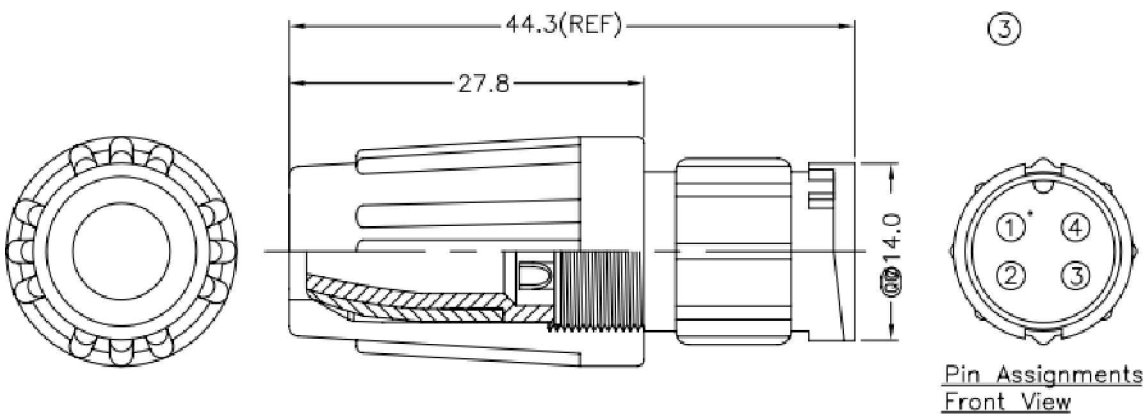


③



Pin Assignments
Front View

Note:

- * \varnothing Important Dimension
- * Waterproof Rate : IP66
- * Connector:Black,Nylon+GF
- * Pin:Copper Alloy,Gold Plated
- * Seals for Cable OD:ø4.5mm~ø6.5mm
- * One Set Unassembled in One PE Bag

RoHS compliant
Unit: mm

Scale	Free					Date	Name	Customer-No.
TOLERANCE						Drawn	09.06.2014	Joanna
Unit	±XX					Approved	09.06.2014	Joanna
.X	±0.25							ASSMANN WSW-No. A-CR-04BMMA-L180-WP
.XX	±0.1							Drawing-No.
.XXX	±0.05							ASS 6367 CO
DIM	Tol							rev00
		①	Drawn	09.06.2014	Joanna			Sheet
Angle	±1°	Id.	Modification	Date	Name			Replace