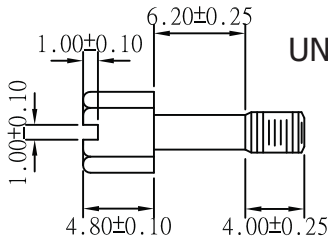
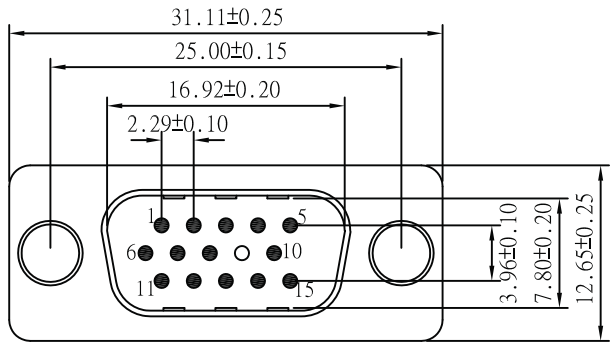
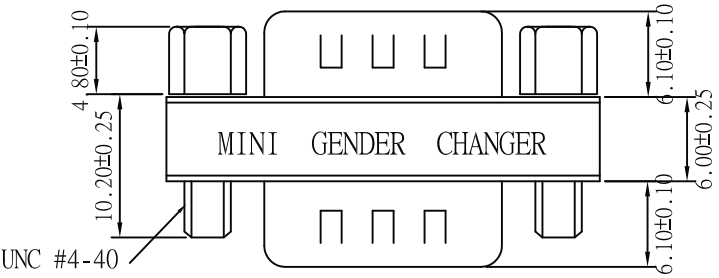


UNC #4-40x3.3mm  
(THREAD)



UNC #4-40 Hexscrew



UNC #4-40

**Material:**

- Insulator: PBT Glass fibre reinforced UL 94 V0
- Contact: Brass
- Contact plating: Gold plated over nickel
- Shell: Tin plated shell
- Yellow label with black characters

Unit: MM



Scale	1:1						Name	Item No. <b>AB418-R</b>
TOLERANCE					Drawn	11.22.11	Chappell	
X.X	±0.40				Approved			Title
X.XX	±0.25							Mini Gender Changer - HD D-Sub 15 Pin Male <=> HD D-Sub 15 Pin Male
X.XXX	±0.15							Drawing No.
Angle	±3°							rev00
								Replace
								Sheet
		Modification	Date	Name				