



C6224NL

- TRIPLEXER FILTER MODULE
- 5-42 / 54-1002 / 1125-1675MHz
- IMPEDANCE = 75 OHMS
- PIN COMPATIBLE WITH BROADCOM BCM7400 SERIES
- DESIGNED FOR MOCA 2.0 APPLICATIONS
- Meets IEC 61000-4-5, Class 5, Location LDB for Surge Protection; 10/700uS, 200A, 6KV

ELECTRICAL SPECIFICATIONS: @ 25°C

INSERTION LOSS: LOW PASS (UPSTREAM)

FREQUENCY	
5-42 MHz	-1.5 dB MAX
54-199 MHz	-50 dB MIN
200-864 MHz	-60 dB TYP
864-1002 MHz	-60 dB TYP
1125-1675 MHz	-60 dB TYP

ISOLATION: DOWNSTREAM TO UPSTREAM

FREQUENCY	
5-42 MHz	-50 dB MIN
54-500 MHz	-60 dB TYP
500-900 MHz	-60 dB TYP
900-1002 MHz	-60 dB TYP

INSERTION LOSS: BANDPASS 1 (DOWNSTREAM)

FREQUENCY	
5-42 MHz	-50 dB MIN
54-87 MHz	-2.0 dB MAX
88-865 MHz	-1.5 dB MAX
865-1002 MHz	-2.5 dB MAX
1125-1675 MHz	-43 dB MIN
1675-2000 MHz	-30 dB MIN

ISOLATION: DOWNSTREAM TO MoCA

FREQUENCY	
5-54 MHz	-49 dB MIN
54-500 MHz	-49 dB MIN
500-900 MHz	-49 dB MIN
900-1002 MHz	-49 dB MIN
1125-1675 MHz	-43 dB MIN

INSERTION LOSS: BANDPASS 2 (MoCA)

FREQUENCY	
5-42 MHz	-49 dB MIN
54-1002 MHz	-49 dB MIN
1125-1675 MHz	-2.5 dB MAX
@ 2300 MHz	-30 dB MIN

RETURN LOSS:

FREQUENCY	
5-42 MHz	-12 dB MIN
54-1002 MHz	-10 dB MIN
1125-1675 MHz	-10 dB MIN

NOTES: UNLESS OTHERWISE SPECIFIED

1. METAL HOUSING, SPTE
2. COMMON PORT, F-TYPE CONNECTOR
3. OPERATING TEMPERATURE: 0°C TO +70°C
4. STORAGE TEMPERATURE: -20°C TO +125°C
5. JEDEC MOISTURE: LEVEL 1.
6. DIMENSIONS ARE IN INCHES WITH THE FOLLOWING TOLERANCE:
 .XX= ±.02
 .XXX= ±.010
7. ROHS COMPLIANT



© Copyright, 2012. Pulse Engineering, Inc. All rights reserved. Drawing specifications subject to change without notice. Date (05/04/12)

PULSE CONFIDENTIAL
&
PROPRIETARY

PRODUCT SPECIFICATION:

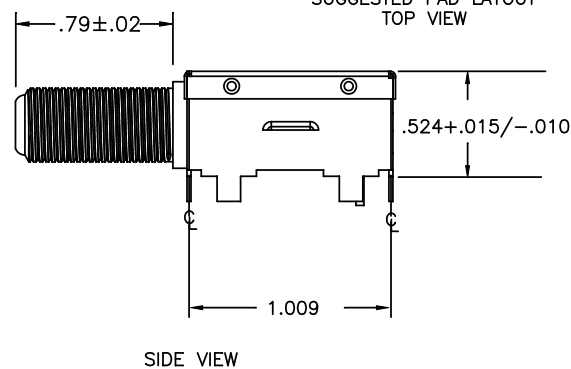
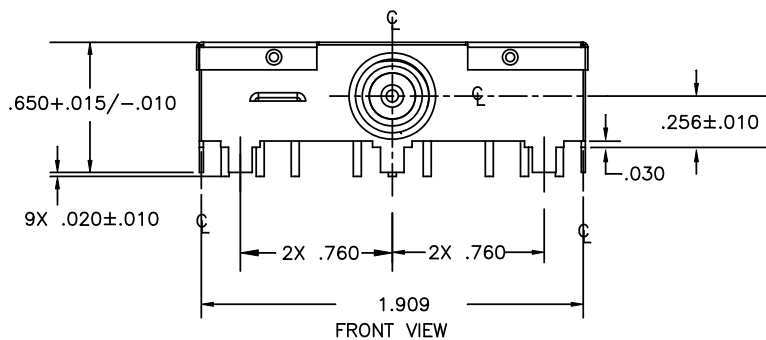
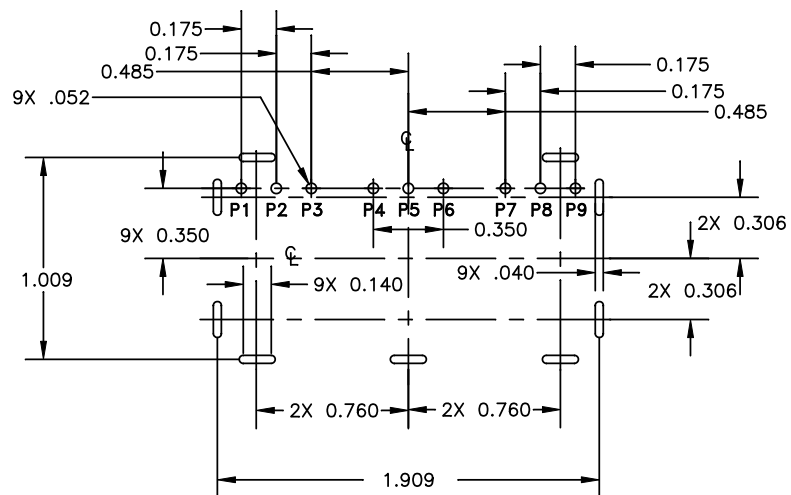
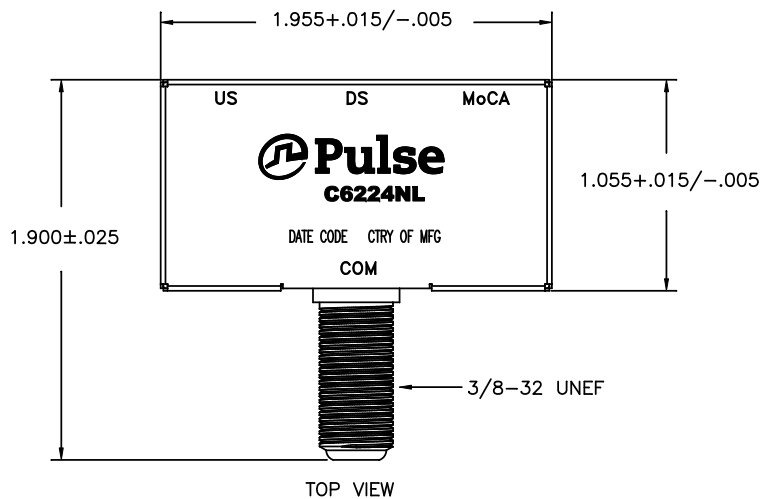
TRIPLEXER, 5-42/54-1002/1125-1675 MHz, MOCA 2.0, TH, 6KV

DWG. NO./ PART NO.
C6224NL

SHEET: 1
REV. M10

Pulse Electronics
12220 World Trade Drive
San Diego, CA, USA, 92128
Tel: 858 674 8100

MECHANICAL SPECIFICATIONS:



DESIGNATION	
COMMON PORT (COM)	F-CONNECTOR
UPSTREAM CABLE (US)	PIN 2
DOWNSTREAM CABLE (DS)	PIN 5
MoCA	PIN 8
GROUND (GND)	PINS 1,3,4,6,7,9

© Copyright, 2012. Pulse Engineering, Inc. All rights reserved. Drawing specifications subject to change without notice. Date (05/04/12)

PULSE CONFIDENTIAL
&
PROPRIETARY

PRODUCT SPECIFICATION:

TRIPLEXER, 5-42/54-1002/1125-1675 MHz, MOCA 2.0, TH, 6KV

DWG. NO./ PART NO.
C6224NL

SHEET:
2

REV.
M10