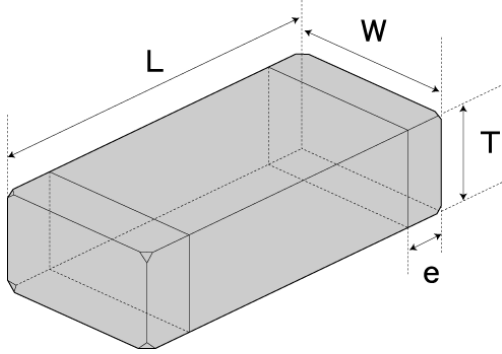


Wire-wound Chip Power Inductors (CB series)

CB2012T101M



■ Features

- Item Summary
100 μ H(\pm 20%), 60mA, 130mA, 0805
- Lifecycle Stage
Mass Production
- Standard packaging quantity (minimum)
Taping 3000pcs

■ Products characteristics table

CaseSize (EIA/JIS)	0805/2012
Inductance	100 μ H(\pm 20%)
Inductance Measuring Frequency	0.796MHz
Rated Current -Saturation Current	60mA
Rated Current -Temperature Rise Current	130mA
DC Resistance (max)	9.1 Ω
Avg. of DC.Resistance	7 Ω
Self-resonant Frequency (min)	8MHz
RoHS Compliance	Yes
Halogen Free	Yes
Soldering Method	Reflow

■ External Dimensions

L	2mm \pm 0.2
W	1.25mm \pm 0.2
H	1.25mm \pm 0.2

2015.03.16

The data is reference only. Electrical characteristics vary depending on environment or measurement condition.
 TAIYO YUDEN reserves the right to make change to the Date at any time without notice.
 Before making final selection, please check product specification.