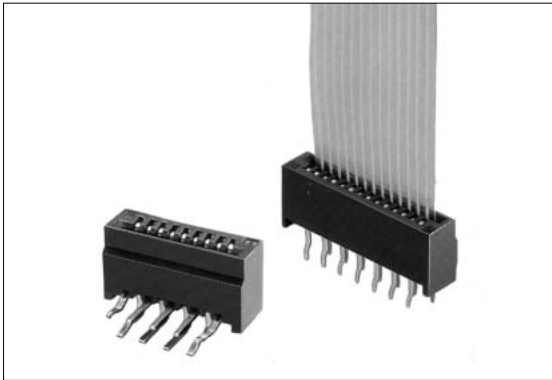


FF Series 1.25mm Spacing (DIP)



Features

1. These connectors are available in two contact types : straight and right angle type.
2. Utilization of an LIF structure allows for simple and easy insertion.
3. By attaching special contacts, these connectors can be used with FPC.
4. A lead-free product.

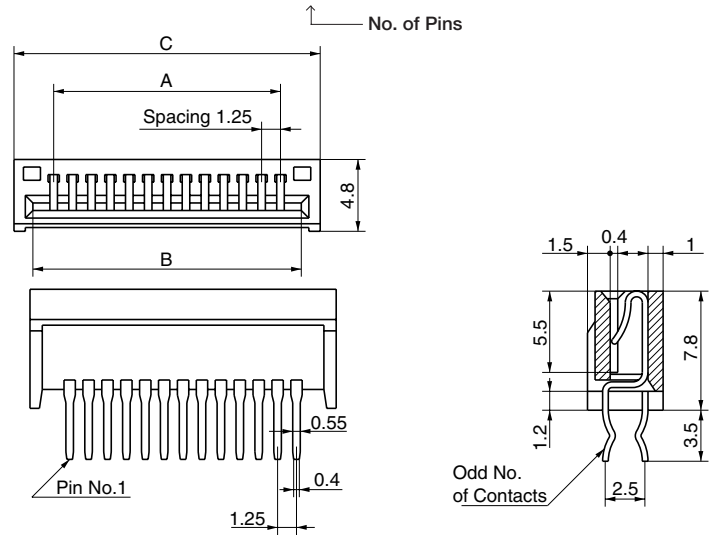
Specifications

1. Rating : 1A, 200V AC
2. Contact Resistance : 30mΩ, max.
(Initial resistance)
3. Insulation Resistance : 500MΩ, min. at 250V DC
4. Withstanding Voltage : 500V AC for one minute
5. Operating Temperature Range : -25°C to +85°C

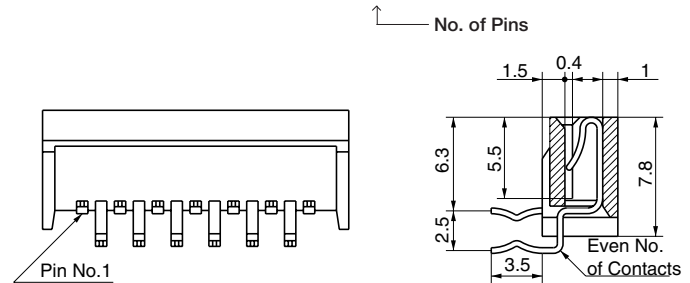
Material and Plating

- Housing : Polybutylene Terephthalate (PBT), Black, 94V-0
- Contact : Phosphor Bronze, Sn Plating

● Straight Type CFF11□□-0101F

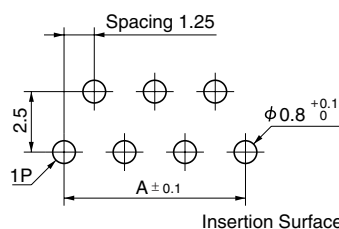


● Right-Angle Type CFF13□□-0101F

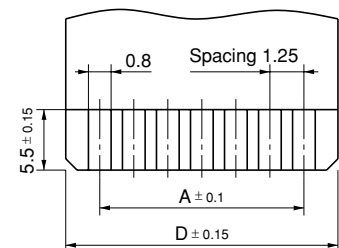


No. of Pins	A	B	C	D	No. of Pins	A	B	C	D
04	3.75	6.40	8.75	6.25	21	25.00	27.65	30.00	27.50
05	5.00	7.65	10.00	7.50	22	26.25	28.90	31.25	28.75
06	6.25	8.90	11.25	8.75	23	27.50	30.15	32.50	30.00
07	7.50	10.15	12.50	10.00	24	28.75	31.40	33.75	31.25
08	8.75	11.40	13.75	11.25	25	30.00	32.65	35.00	32.50
09	10.00	12.65	15.00	12.50	26	31.25	33.90	36.25	33.75
10	11.25	13.90	16.25	13.75	27	32.50	35.15	37.50	35.00
11	12.50	15.15	17.50	15.00	28	33.75	36.40	38.75	36.25
12	13.75	16.40	18.75	16.25	29	35.00	37.65	40.00	37.50
13	15.00	17.65	20.00	17.50	30	36.25	38.90	41.25	38.75
14	16.25	18.90	21.25	18.75	31	37.50	40.15	42.50	40.00
15	17.50	20.15	22.50	20.00	32	38.75	41.40	43.75	41.25
16	18.75	21.40	23.75	21.25	33	40.00	42.65	45.00	43.50
17	20.00	22.65	25.00	22.50	34	41.25	43.90	46.25	43.75
18	21.25	23.90	26.25	23.75	35	42.50	45.15	47.50	45.00
19	22.50	25.15	27.50	25.00	37	45.00	47.65	50.00	47.50
20	23.75	26.40	28.75	26.25	39	47.50	50.15	52.50	50.00
					41	50.00	52.65	55.00	52.50

■ P.C. Board Dimension



■ Applicable FFC/FPC Dimension (t=0.3±0.05)



• FPC plating to recommend : Sn plating