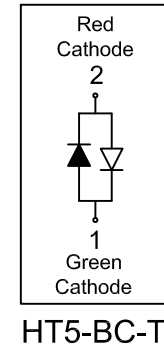
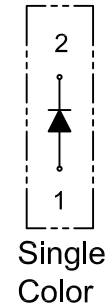
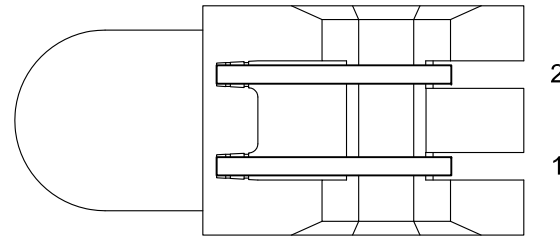
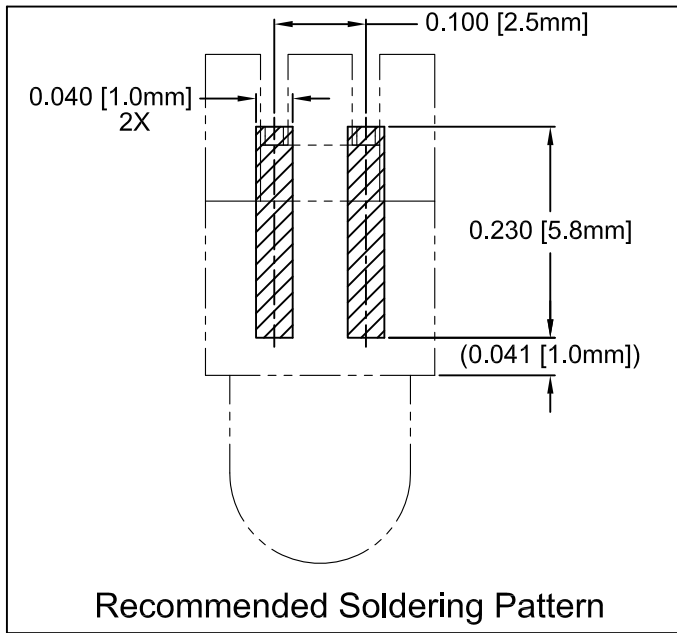
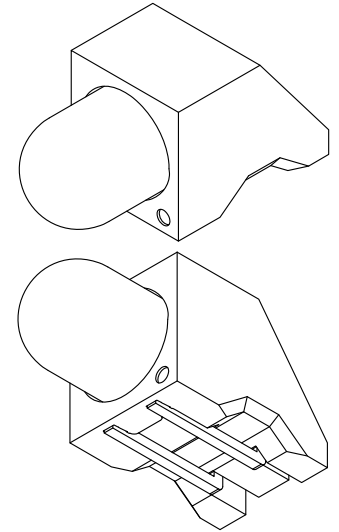
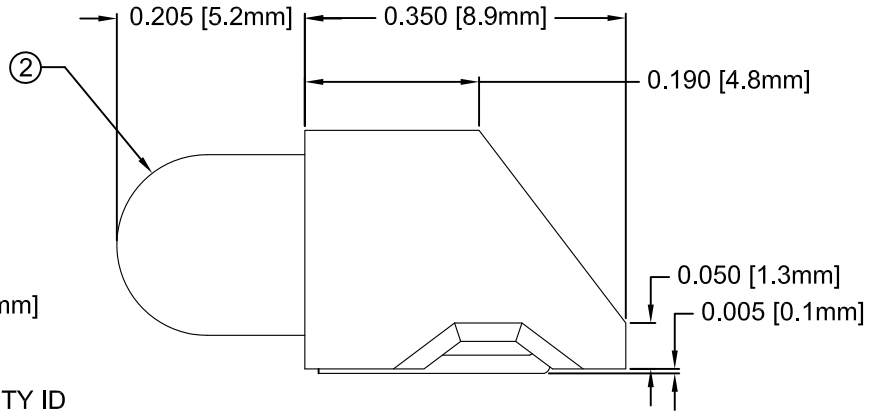
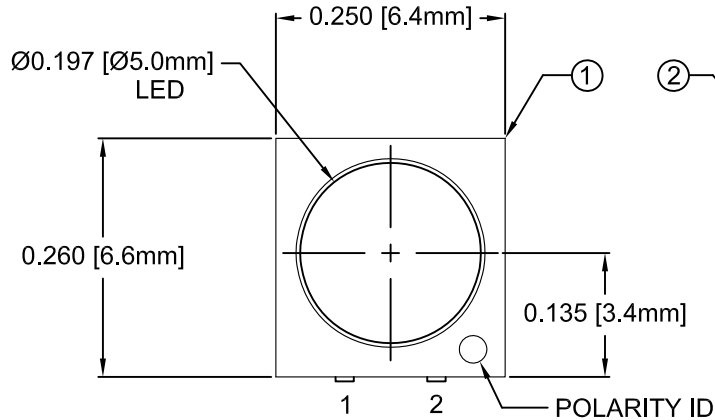


ITEM	Q'TY	PART NUMBER	PART DESCRIPTION
1	1	HT5	T1 3/4 (5mm) High Temperature Single Level Holder, 90° Mount
2	1	BDL-XXXX	T1 3/4 (5mm) N-Flange LED, See Page 2

REV.	DESCRIPTION	DATE	APPROVED
B	Engineering Release	04/19/11	T. Y.



## ABSOLUTE MAXIMUM RATINGS (Ta=25° C)

REVERSE VOLTAGE	5V
REVERSE CURRENT	100uA
OPERATING TEMPERATURE RANGE	-25° C - 85° C
STORAGE TEMPERATURE	-30° C - 100° C
LEAD SOLDERING TEMPERATURE(1/16" FROM BODY)	260° C FOR 5 SECONDS

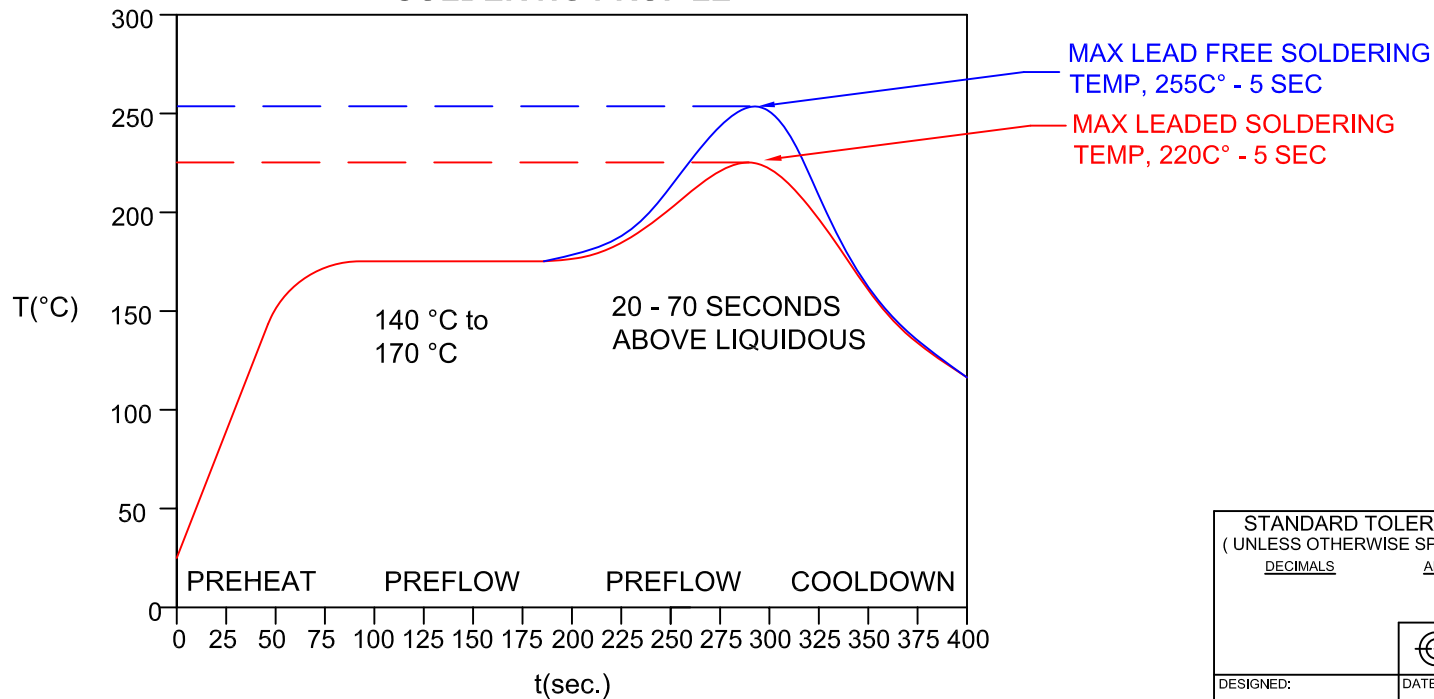
STANDARD TOLERANCE (UNLESS OTHERWISE SPECIFIED)		 <b>BIVAR</b> <sup>®</sup> 4 THOMAS, IRVINE, CA. 92618 TEL: (949) 951-8808 FAX: (949) 951-3974	<b>TITLE:</b> T1 3/4 (5mm) SMT 90° SURFACE MOUNT LED, TAPE AND REEL <b>PART NO:</b> HT5-XXX-T <b>REVISION:</b> B
DECIMALS	ANGULAR		
.X ± .1	X° ± 1°		
.XX ± .02			
.XXX ± .010			
DESIGNED: Raffy Paje	DATE: 04/26/10		<b>CAGE CODE :</b> 32559 <b>SHEET #</b> 1 <b>OF</b> 3 CAD GENERATED DOCUMENT, DO NOT MEASURE DRAWING.
CHECKED: T. Yin	DATE: 04/26/10		

REV.	DESCRIPTION	DATE	APPROVED
	SEE SHEET#1		

### AVAILABLE CONFIGURATIONS

Assy P/N	Emitted Color	Peak Wave Length $\lambda_p$ (nm)	Lens Appearance	Absolute Max. Ratings			Vf (V)		Iv (mcd)	Viewing Angle $2\theta_{1/2}$ (Deg)	LED P/N
				Pd (mW)	If (mA)	Peak If (mA)	TYP	MAX	TYP		
<b>STANDARD SINGLE COLOR LED ASSEMBLIES (20mA)</b>											
HT5-BLU-T	BLUE	430	DIFFUSED	150	25	70	4.0	4.5	15	45	BDL-1363
HT5-GRN-T	GREEN	568		80	30	150	2.1	2.8	25	45	BDL-1360
HT5-RED-T	HE RED	625		80	30	150	2.0	2.8	25	45	BDL-1361
HT5-YEL-T	YELLOW	590		85	30	150	2.0	2.8	25	45	BDL-1362
<b>STANDARD BI-COLOR LED ASSEMBLIES (20mA)</b>											
HT5-BC-T	RED	625	WHITE DIFFUSED	80	30	150	2.0	2.8	6	45	BDL-1359
	GREEN	568		80	30	150	2.1	2.8	8		

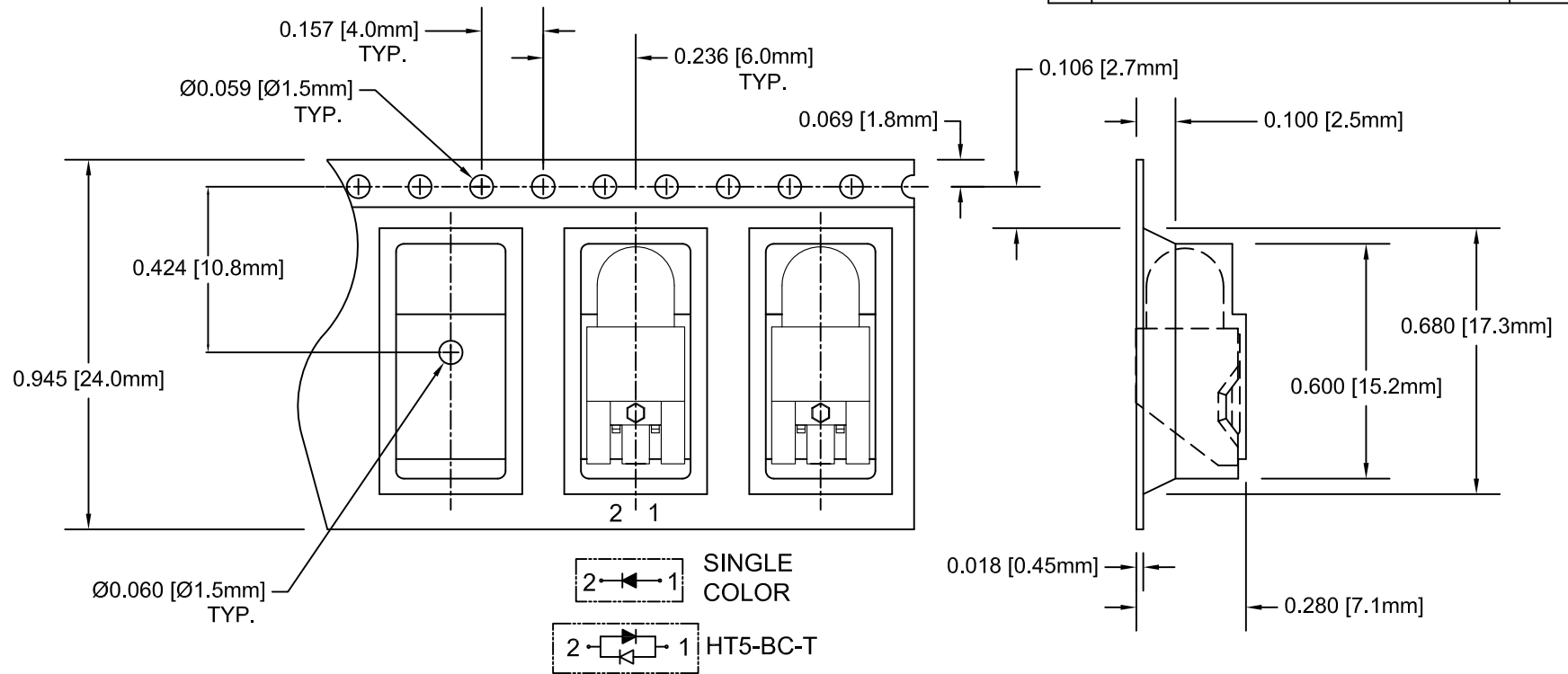
### CONVECTIVE REFLOW SOLDERING PROFILE



NOTES:  
1. ADDITIONAL LED OPTICAL / ELECTRICAL DATA AVAILABLE @ WWW.BIVAR.COM

STANDARD TOLERANCE ( UNLESS OTHERWISE SPECIFIED ) <u>DECIMALS</u> <u>ANGULAR</u>		<b>BIVAR</b> <sup>®</sup> 4 THOMAS, IRVINE, CA. 92618 TEL: (949) 951-8808    FAX: (949) 951-3974	
DESIGNED: <b>Raffy Paje</b>	DATE: <b>04/26/10</b>	TITLE: T1 3/4 (5mm) SMT 90° SURFACE MOUNT LED, TAPE AND REEL	
CHECKED: <b>T. Yin</b>	DATE: <b>04/26/10</b>	PART NO: <b>HT5-XXX-T</b>	REVISION: <b>B</b>
CAGE CODE : 32559		SHEET # 2 OF 3	
CAD GENERATED DOCUMENT, DO NOT MEASURE DRAWING.			

REV.	DESCRIPTION	DATE	APPROVED
	SEE SHEET#1		



NOTES:  
 3. UNLESS OTHERWISE SPECIFIED,  
 PACKAGING TO COMPLY WITH EIA-481-B  
 2. 750 pcs PER REEL

STANDARD TOLERANCE (UNLESS OTHERWISE SPECIFIED)		REVISION:	
DECIMALS	ANGULAR	 4 THOMAS, IRVINE, CA. 92618 TEL: (949) 951-8808 FAX: (949) 951-3974	
.X ± .1	X° ± 1°		
.XX ± .02			
.XXX ± .010			<b>TITLE:</b> T1 3/4 (5mm) SMT 90° SURFACE MOUNT LED, TAPE AND REEL
DESIGNED: <b>Raffy Paje</b>	DATE: <b>04/26/10</b>	<b>PART NO:</b> HT5-XXX-T	<b>REVISION:</b> B
CHECKED: <b>T. Yin</b>	DATE: <b>04/26/10</b>	<b>CAGE CODE :</b> 32559	<b>SHEET #</b> 3 OF 3
CAD GENERATED DOCUMENT, DO NOT MEASURE DRAWING.			