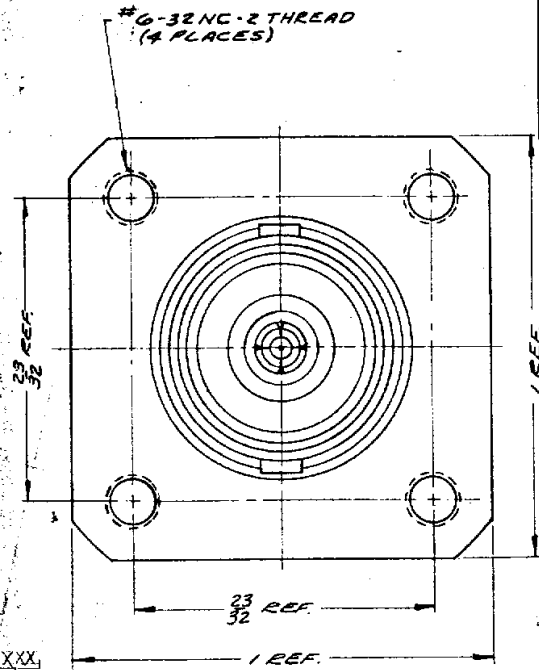


STAMP:  
91836 M39012/08-0001 KD-19-72 XXXX

NOTES:  
1. FOR USE WITH RG-8, 9, 213 & 214/U CABLE GROUPS.

DATE CODE



1000-8010000

REVISIONS	
ISSUE	CHANGES
0	EE 5939 1 MAY 68 H.F.E.
1	CN P300A WLA 8 FEB 71
2	CN 13699A W.D. 6 AUG 74
3	CN 15413 A JL 23 FEB 76
4	CN 23168 E G.J.G. 24 MAR 82
5	CN 32263 A LNM 7 JUN 90

KD-19-72

REF:	SUPERSEDES UG-571A/U
FINISH	
SPEC.	
MATL.	
APPC.	

PANEL JACK

DRAWN H.F.E.	DATE 1 MAY 68
APPR. LI	DATE 1 MAY 68

KINGS ELECTRONICS  
40 MARBLEDALE ROAD  
TUCKAHOE, N. Y. 10707

M39012/08-0001

9	1	CABLING INSTRUCTIONS	573C-1-M88
8	1	BODY	
7	1	C CONTACT F	1-732-7M9D
6	1	INSULATOR	E-2452-M99
5	1	WASHER	571-5-MCT
4	1	BRAID CLAMP	571-4-MCT
3	1	GASKET	571-3-M99
2	1	WASHER	140C-1-MCT
1	1	CLAMP NUT	571-1-MCT
ITEM	REQ'D	DESCRIPTION	DRAWING NO.

UNLESS OTHERWISE SPECIFIED:

- |   |  |
|---|--|
| 1. TOLERANCES:<br>FRACTIONS ± .010 DECIMALS ± .004 ANGLES ± 0° 30'                    | 2. REMOVE ALL BURRS, BREAK SHARP EDGES .005 MAX. |
| T. I. R. CONCENTRICITY OF ANY 2 DIAMETERS MAY NOT EXCEED THE SUM OF THEIR TOLERANCES. | 3. NO FILLETS PERMITTED.                         |
|   | 4. SURFACE ROUGHNESS 63 MICROINCHES RMS MAX.     |
|   | 5. ALL DIMENSIONS PRIOR TO PLATING.              |

S-D