



PE91041

Precision SMA Male to 7/16 DIN Female Adapter Low PIM,
Low VSWR

SMA Male to 7/16 DIN Female Low PIM, Low VSWR Precision Adapters

- PIM levels <-165 dBc
- Low VSWR levels up to 8 GHz.
- Tri-metal Albaloy coating
 - durable surface with good corrosion protection
 - abrasion resistance
 - superior electrical contact properties.
- Available in various connector combinations
 - 7/16 DIN in-series
 - Type N in-series
 - 7/16 DIN to Type N and SMA in-between series
- 4-hole flange and bulkhead-mounted styles available
- Ideal choice for use in portable PIM testing

Configuration

Connector 1	SMA Male
Connector 2	7/16 DIN Female
Adapter Design	Precision
Body Style	Straight

Electrical Specifications

Frequency Range (GHz)	DC to 8
Impedance (Ohms)	50
VSWR, Max	1.29:1
Dielectric Withstanding Voltage (Vrms)	1000
Passive Intermodulation ((<-) dBc @ 2 x 20 Watts)	-165

Frequency 1

Frequency (GHz)	DC to 2
VSWR	1.05:1
Return Loss (dB)	27

Frequency 2

Frequency (GHz)	2 to 5
VSWR	1.22:1

Frequency 3

Frequency (GHz)	5 to 8
VSWR	1.29:1

Click the following link for the additional product information:
[Precision SMA Male to 7/16 DIN Female Adapter Low PIM, Low VSWR PE91041](#)

Version C - Revision - © 2011 Pasternack Enterprises All Rights Reserved.





PE91041

Precision SMA Male to 7/16 DIN Female Adapter Low PIM,
Low VSWR

Mechanical Specifications

Temperature Operating Range (deg C)	-55 to +155
Weight (lbs)	0.14
Length (inches)	1.3
Width/Dia. (inches)	1.142
Dielectric Type	PTFE

Connector 1

Hex Size (mm)	8
Torque (in-lb)	4.4
Mating Cycles	100
Inner Conductor Material and Plating	Beryllium Copper, Gold, 0.76µm
Outer Conductor Material and Plating	Brass, Tri Metal – Albaloy, 2.54µm
Coupling Nut Material and Plating	Brass, Tri Metal – Albaloy, 2.54µm

SMA Male

Hex Size (mm)	8
Torque (in-lb)	4.4
Mating Cycles	100
Inner Conductor Material and Plating	Beryllium Copper, Gold, 0.76µm
Outer Conductor Material and Plating	Brass, Tri Metal – Albaloy, 2.54µm
Coupling Nut Material and Plating	Brass, Tri Metal – Albaloy, 2.54µm

Connector 2

Mating Cycles	500
Inner Conductor Material and Plating	Beryllium Copper, Silver, 5µm
Outer Conductor Material and Plating	Brass, Tri Metal – Albaloy, 2.54µm

7/16 DIN Female

Mating Cycles	500
Inner Conductor Material and Plating	Beryllium Copper, Silver, 5µm
Outer Conductor Material and Plating	Brass, Tri Metal – Albaloy, 2.54µm

Compliance Certifications (visit www.Pasternack.com for current document)

RoHS Compliant	Yes, by exemption
----------------	-------------------

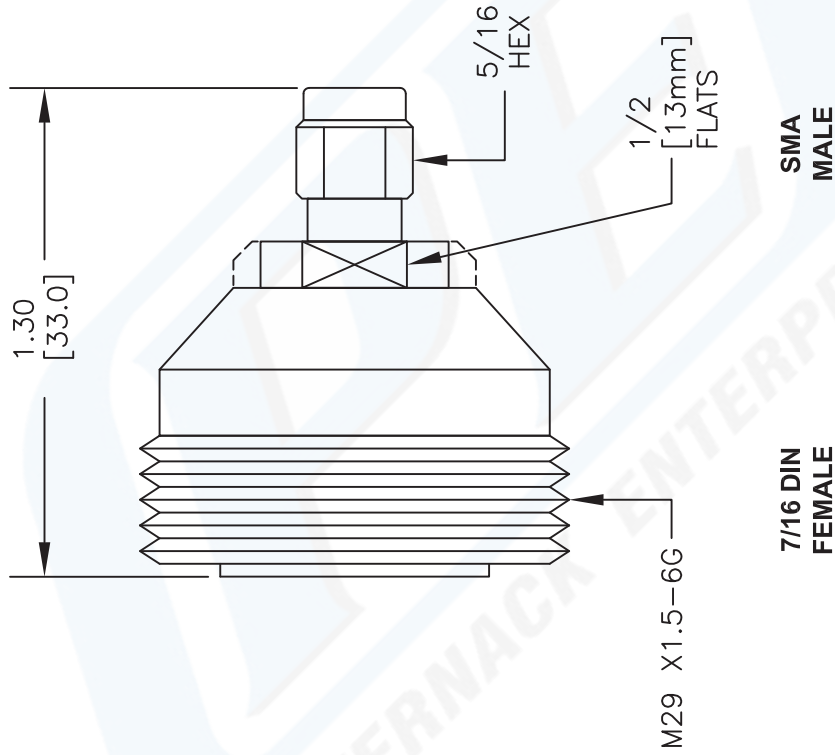
Other Data

URL: <http://www.pasternack.com/sma-male-7-16-female-straight-adapter-pe91041-p.aspx>

Precision SMA Male to 7/16 DIN Female Adapter Low PIM, Low VSWR from Pasternack Enterprises has same day shipment for domestic and International orders. Our RF, microwave and fiber optic products maintain a 99% availability and are part of the broadest selection in the industry.

PE91041 CAD Drawing

Precision SMA Male to 7/16 DIN Female Adapter Low PIM, Low VSWR



NOTES:
 1. UNLESS OTHERWISE SPECIFIED ALL DIMENSIONS ARE NOMINAL.
 2. ALL SPECIFICATIONS ARE SUBJECT TO CHANGE WITHOUT NOTICE AT ANY TIME.
 3. DIMENSIONS ARE IN INCHES [mm].

DWG TITLE
PE91041

PASTERNAK ENTERPRISES, INC.
 P.O. BOX 16759, IRVINE, CA 92623
 PHONE (949) 261-1920 FAX (949) 261-7451
 WEB ADDRESS: www.pasternack.com
 E-MAIL ADDRESS: sales@pasternack.com
COAXIAL & FIBER OPTICS



2233

SIZE A

SCALE N/A

CAD FILE 050312

FSCM NO. 53919

REV. -