



## 75 Ohm SMC Jack to SMC Jack Bulkhead Adapter

### TECHNICAL DATA SHEET

PE9228

#### 75 Ohm SMC Jack to SMC Jack Bulkhead Adapter

##### Configuration

Connector 1	SMC Jack
Impedance 1	75 Ohms
Connector 2	SMC Jack
Impedance 2	75 Ohms
Adapter Design	Standard
Body Style	Straight
Mount Method	Bulkhead

##### Mechanical Specifications

###### Temperature

Operating Range, deg C	-65 to +165
------------------------	-------------

###### Size

Length, in [mm]	0.688 [17.48]
Width/Dia., in [mm]	0.375 [9.53]

###### Connector 1

Type	SMC Jack
Inner Conductor Material and Plating	Gold
Inner Conductor Plating Specification	MIL-G-45204
Body Material and Plating	Brass, Nickel
Dielectric Type	Teflon

###### Connector 2

Type	SMC Jack
Inner Conductor Material and Plating	Gold
Inner Conductor Plating Specification	MIL-G-45204
Body Material and Plating	Brass, Nickel
Dielectric Type	Teflon

##### Compliance Certifications (visit [www.Pasternack.com](http://www.Pasternack.com) for current document)

RoHS Compliant	Yes
----------------	-----

##### Plotted and Other Data

Notes: Values at 25 °C, sea level

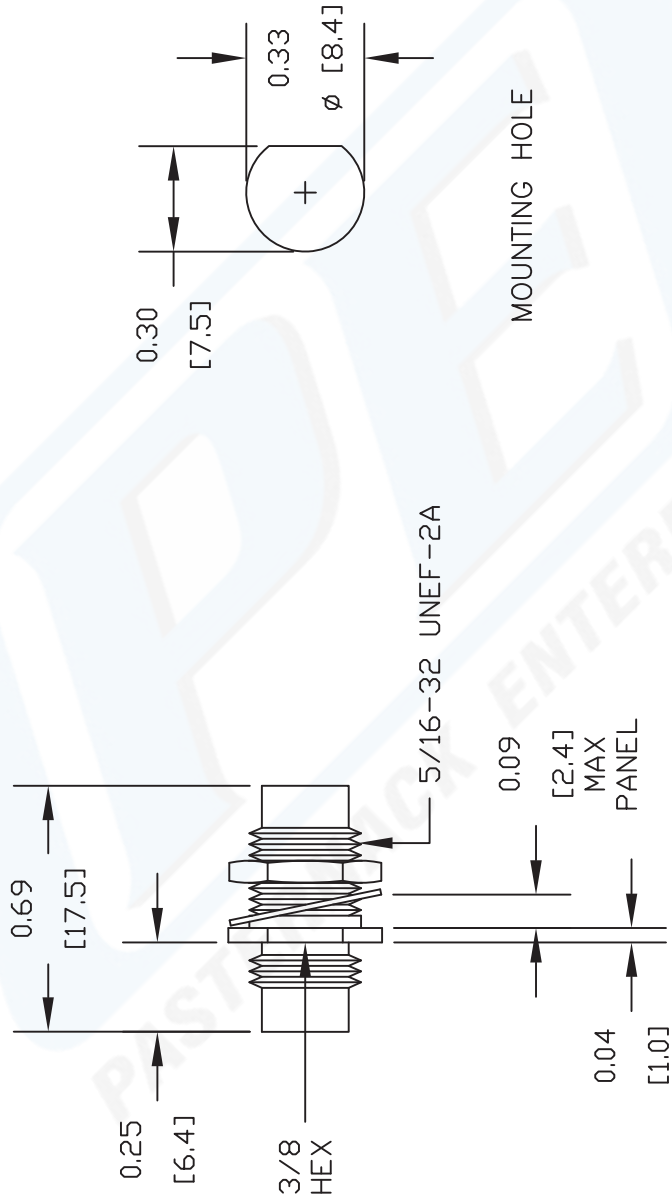
URL: <http://www.pasternack.com/smc-jack-smc-jack-straight-adapter-pe9228-p.aspx>

75 Ohm SMC Jack to SMC Jack Bulkhead Adapter from Pasternack Enterprises has same day shipment for domestic and International orders. Our RF, microwave and fiber optic products maintain a 99% availability and are part of the broadest selection in the industry.

The information contained in this document is accurate to the best of our knowledge and representative of the part described herein. It may be necessary to make modifications to the part and/or the documentation of the part, in order to implement improvements. Pasternack reserves the right to make such changes as required. Unless otherwise stated, all specifications are nominal.

# PE9228 CAD Drawing

75 Ohm SMC Jack to SMC Jack Bulkhead Adapter



DWG TITLE

**PE9228**

NOTES:  
 1. UNLESS OTHERWISE SPECIFIED ALL DIMENSIONS ARE NOMINAL.  
 2. ALL SPECIFICATIONS ARE SUBJECT TO CHANGE WITHOUT NOTICE AT ANY TIME.  
 3. DIMENSIONS ARE IN INCHES [mm].

REV. -

FSCM NO. 53919

CAD FILE 083002

SCALE N/A

SIZE A

127



Pasternack Enterprises, Inc.  
 P.O. Box 16759 | Irvine | CA | 92623  
 Phone: (949) 261-1920 | Fax: (949) 261-7451  
 Website: www.pasternack.com | E-Mail: sales@pasternack.com