



**SOLID STATE DEVICES, INC.**

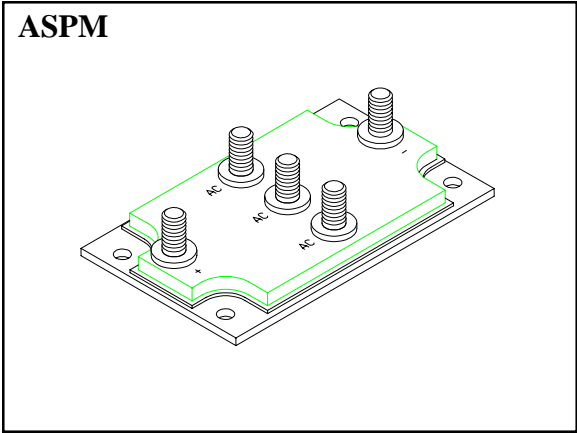
14830 Valley View Blvd \* La Mirada, Ca 90638  
 Phone: (562) 404-7855 \* Fax: (562) 404-1773  
 ssdi@ssdi-power.com \* www.ssdi-power.com

**DESIGNER'S DATA SHEET**

**SPMR527  
Series**

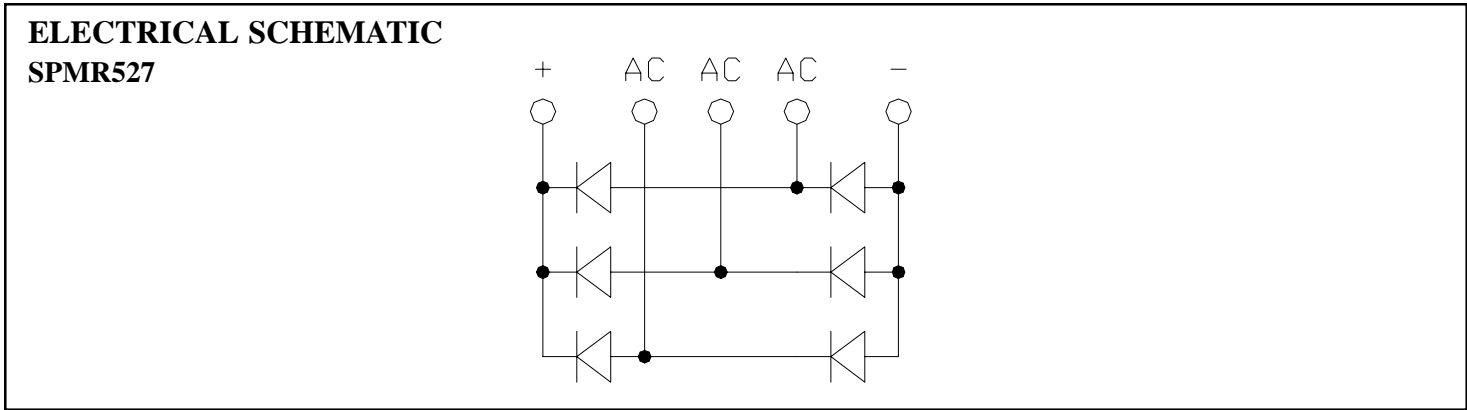
**320/400 Amps  
100/30 Volts  
3 PHASE BRIDGE  
POWER MODULE**

- FEATURES:**
- 3 Phase High Current Schottky Rectifier Bridge
  - No Minority Carrier Switching Loss
  - Electrically Isolated Baseplate
  - Hermetically Sealed Packaging
  - Utilizes DBCu/Al<sub>2</sub>O<sub>3</sub> for Low Loss Operation
  - Low Weight Al-SiC Baseplate
  - Available with Male (M), Female (F) or Blade (B) terminals
  - Screening to TX, TXV & S Level Available
  - Available in the Following Configurations:
- |             |             |             |
|-------------|-------------|-------------|
| SPMR527M03, | SPMR527M04, | SPMR527M10, |
| SPMR527F03, | SPMR527F04, | SPMR527F10, |
| SPMR527B03, | SPMR527B04, | SPMR527B10  |



**MAXIMUM RATINGS**

CHARACTERISTIC	SYMBOL	VALUE			UNIT
		-03	-04	-10	
Peak Reverse Voltage & DC Blocking Voltage	$V_{RRM}$ $V_{RWM}$ $V_R$	30	45	100	Volts
Average Rectified Forward Current. (Resistive load, 60Hz, Sine Wave, $T_A = 25^\circ C$ )	$I_O$	400 150	400 150	320 120	Amps per Bridge per Leg
Peak Surge Current (Non-repetitive, t = 8.3 ms Half Sine Wave Pulse)	$I_{FSM}$	1000	1000	1000	Amps
Operating & Storage Temperature Range	$T_{OP}$ & $T_{STG}$	-55 TO +175			$^\circ C$
Thermal Resistance, Junction to Base per Bridge per Leg	$\theta_{JBc}$	0.14 0.85	0.14 0.85	0.14 0.85	$^\circ C/W$



**NOTE:** All specifications are subject to change without notification. SCD's for these devices should be reviewed by SSDI prior to release.

**DATA SHEET #: PM0014A**

# SPMR527 Series



**SOLID STATE DEVICES, INC.**

14830 Valley View Blvd \* La Mirada, Ca 90638  
Phone: (562) 404-7855 \* Fax: (562) 404-1773  
ssdi@ssdi-power.com \* www.ssdi-power.com

## ELECTRICAL CHARACTERISTICS (per Leg)

RATING	SYMBOL	MAX			UNIT	
		-03	-04	-10		
<b>Forward Voltage Drop</b> ( $T_A = 25^\circ\text{C}$ , 300 $\mu\text{sec}$ Pulse )	$I_F = 1/3$ of Rated $I_O$ per Leg	$V_{F1}$	<b>0.46</b>	<b>0.55</b>	<b>0.71</b>	$V_{DC}$
	$I_F =$ Rated $I_O$ per Leg	$V_{F2}$	<b>0.65</b>	<b>0.78</b>	<b>0.91</b>	
<b>Forward Voltage Drop</b> ( $I_F =$ Rated $I_O$ per Leg, $T_C = 125^\circ\text{C}$ , 300 $\mu\text{sec}$ pulse )		$V_{F3}$	<b>0.60</b>	<b>0.73</b>	<b>0.74</b>	$V_{DC}$
<b>Reverse Leakage Current</b> (Rated $V_R$ , 300 $\mu\text{s}$ pulse min.)	$T_A = 25^\circ\text{C}$	$I_{R1}$	<b>7.5</b>	<b>12</b>	<b>5.0</b>	mA
	$T_A = 125^\circ\text{C}$	$I_{R2}$	<b>500</b>	<b>500</b>	<b>100</b>	
<b>Junction Capacitance</b> ( $V_R = 5V_{DC}$ , $T_A = 25^\circ\text{C}$ , $f = 1\text{MHz}$ )		$C_J$	<b>7500</b>	<b>7500</b>	<b>3200</b>	pF
<b>Isolation Leakage Current</b> (All terminals in Common to Base @500V)		$R_{ISO}$	<b>500</b>	<b>500</b>	<b>500</b>	nA

## PACKAGE OUTLINE: SPMR527

### NOTES:

(Unless otherwise specified)

All dimensions are in inches

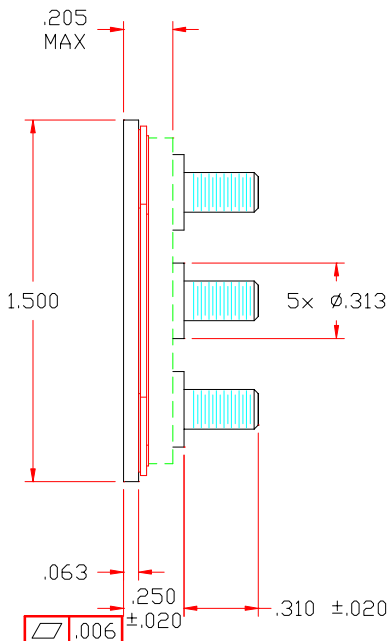
Tolerances (Unless specified):

.XX  $\pm .03$

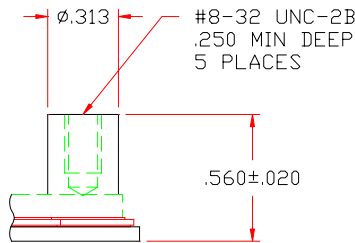
.XXX  $\pm .010$

Contact Factory for Outline with Other  
Terminals

### Terminal Option M



### Terminal Option F



### Terminal Option B

