

Features

- Multiturn / Cermet / Industrial / Sealed
- Standoffs
- Listed on the QPL per MIL-PRF-22097 and High-Rel MIL-PRF-39035
- For trimmer applications/processing guidelines, [click here](#)

RJ24/RJR24 - 3/8" Square Trimpot® Trimming Potentiometer

Electrical Characteristics

| | |
|---------------------------------|---|
| Standard Resistance Range | 10 ohms to 1 megohm |
| (see standard resistance table) | |
| Resistance Tolerance | ±10 % std. |
| Absolute Minimum Resistance | |
| RJ24 | 2 % or 20 ohms max. (whichever is greater) |
| RJR24 | 2 % or 2 ohms max. (whichever is greater) |
| Contact Resistance Variation | 3.0 % or 3 ohms max. (whichever is greater) |
| Adjustability | |
| Voltage | ±0.01 % |
| Resistance | ±0.05 % |
| Resolution | Infinite |
| Insulation Resistance | 500 vdc. 1,000 megohms min. |
| Dielectric Strength | |
| Sea Level | 1,000 vac |
| 80,000 Feet | 400 vac |
| Effective Travel | 25 turns nom. |

Environmental Characteristics

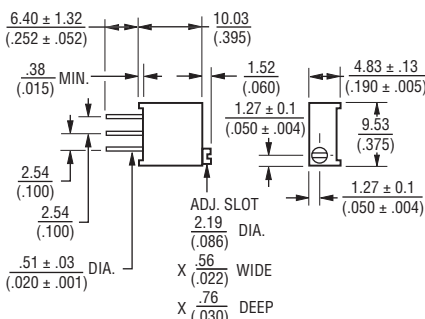
| | |
|-------------------------------|--|
| Power Rating (300 volts max.) | |
| 85 °C | 0.5 watt |
| 150 °C | 0 watt |
| Temperature Range | -55 °C to +150 °C |
| Temperature Coefficient | ±100 ppm/°C |
| Seal Test | 85 °C Fluorinert* |
| Humidity | MIL-STD-202 Method 106 |
| RJ24 | 96 hours (1 % ΔTR, 10 Megohms IR) |
| RJR24 | 96 hours (1 % ΔTR, 100 Megohms IR) |
| Vibration | 20 G (1 % ΔTR; 1 % ΔVR) |
| Shock | 100 G (1 % ΔTR; 1 % ΔVR) |
| Load Life | |
| RJ24 | 1,000 hours 0.5 watt @ 85 °C (2 % ΔTR; 10 % ΔVR) |
| RJR24 | 10,000 hours 0.5 watt @ 85 °C (3 % ΔTR) |
| Rotational Life | 200 cycles (2 % ΔTR) |

Physical Characteristics

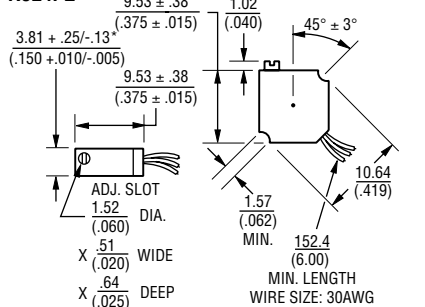
| | |
|--------------------|---------------------------------|
| Torque | 5.0 oz-in. max. |
| Mechanical Stops | Wiper idles |
| Terminals | Mil-Std 202, Method 208 |
| Weight | 0.025 oz. |
| Marking | Mil-spec part number, date code |
| Wiper | 50 % (Actual TR) ±10 % |
| Flammability | U.L. 94V-0 |
| Standard Packaging | 50 pcs. per tube |
| Adjustment Tool | H-90 |

Product Dimensions

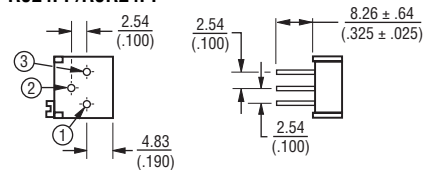
Common Dimensions



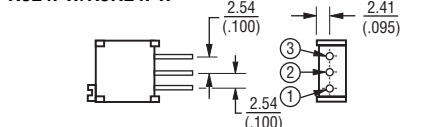
RJ24FL



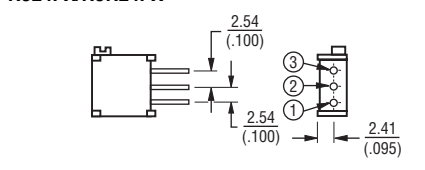
RJ24FP/RJR24FP



RJ24FW/RJR24FW



RJ24FX/RJR24FX



DIMENSIONS: $\frac{MM}{(INCHES)}$
TOLERANCES: $\pm \frac{0.25}{(.010)}$ EXCEPT WHERE NOTED

How To Order

| | |
|-----------------------------------|---------------------|
| MIL-PRF-22097 | RJ24 F L 202 |
| Model | _____ |
| Characteristic | _____ |
| F = ±100 ppm/°C Temp. Coeff. Max. | |
| Terminal Style | _____ |
| Resistance Code | _____ |

How To Order

| | |
|-----------------------------------|------------------------|
| MIL-PRF-39035 | RJR24 F W 502 R |
| Model | _____ |
| Characteristic | _____ |
| F = ±100 ppm/°C Temp. Coeff. Max. | |
| Terminal Style | _____ |
| Resistance Code | _____ |
| Failure Rate | _____ |
| M = 1.0 % | |
| P = 0.1 % | |
| R = 0.01 % | |

Standard Resistance Table

| Resistance (Ohms) | Resistance Code |
|-------------------|-----------------|
| 10 | 100 |
| 20 | 200 |
| 50 | 500 |
| 100 | 101 |
| 200 | 201 |
| 500 | 501 |
| 1,000 | 102 |
| 2,000 | 202 |
| 5,000 | 502 |
| 10,000 | 103 |
| 20,000 | 203 |
| 25,000 | 253 |
| 50,000 | 503 |
| 100,000 | 104 |
| 200,000 | 204 |
| 250,000 | 254 |
| 500,000 | 504 |
| 1,000,000 | 105 |

