



## AUDIO JACKS: STX-3120 Series

### 3.5mm Audio Jack All Plastic PCB Mount

#### Product Features

Audio Applications for Computers and Multimedia  
 Can Be Used To Activate Speakers, an Equalizer or to  
 Configure the Audio Signal  
 Available with One Double-Pole Single-Throw Switch  
 CSA/NRTL Certified File No. LR78160

#### Performance Specifications

##### Materials and Finish

##### Housing

PBT Thermoplastic 15% Glass Filled, Black Color,  
 UL 94V-0 Rated

##### Terminals

Pin 1, 3, 4: Brass, Matte Tin Plated  
 Pin 2, 5: Phosphor Bronze, Matte Tin Plated

#### Mechanical Characteristics

##### Insertion Force

0.4kg - 3.0kg

##### Extraction Force

0.3kg - 3.0kg

##### Durability

5000 Mating Cycles

#### Electrical Characteristics

##### Contact Resistance

##### Before Durability Test

50 milliohms Max.

##### After Durability Test

100 milliohms Max.

##### Insulation Resistance

More than 100 Megohms at 500V DC

##### Dielectric Withstanding Voltage

500V AC RMS for 1 Minute

##### Operating Temperature

-25°C to + 85°C

2D Drawing	IGES	STEP	3D PDF
Solder Profile	CofC RoHS Compliant	CofC REACH Compliant	UL Plastic File
Certificate of Origin	Check Stock	Request a Sample	Send Us An Email

#### Generated Part Number

#### Part Number Builder

<input type="text"/>	-	<input type="text"/>	<input type="text"/>	<input type="text"/>
Series		Number of Pins	Back Plate Option	PC99 Color Option

##### Series

STX-3120 - 3.5mm Audio Jack All Plastic PCB Mount

##### Number of Pins

3 - Pins

5 - Pins

##### Back Plate Option

B - With Back Plate

##### PC99 Color Option

Blank - Black ( Standard )

157C - Orange

284C - Blue

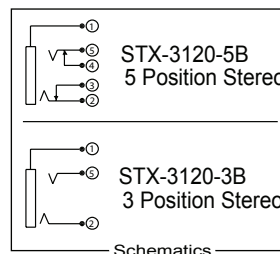
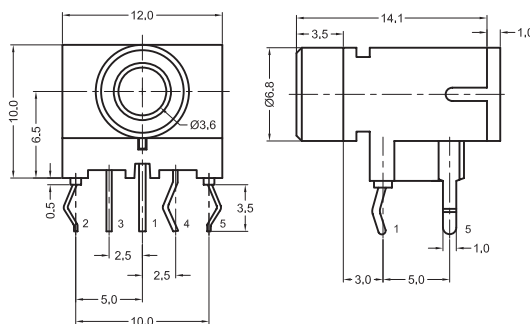
577C - Lime

701C - Pink

Contact Kycon for other options

#### STX-3120 Series

Dimensions in mm



# Mouser Electronics

Authorized Distributor

Click to View Pricing, Inventory, Delivery & Lifecycle Information:

[Kycon:](#)

[STX-3120-5B-577C](#) [STX-3120-3B-284C](#) [STX-3120-3B](#) [STX-3120-5B](#) [STX-3120-3B-701C](#) [STX-3120-3B-577C](#)  
[STX-3120-5B-284C](#) [STX-3120-5B-701C](#) [STX-3120-3BM](#) [STX-3120-5B-157C](#) [STX-3120-3B-157C](#)