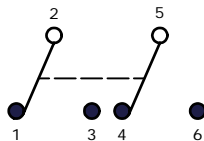


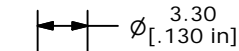
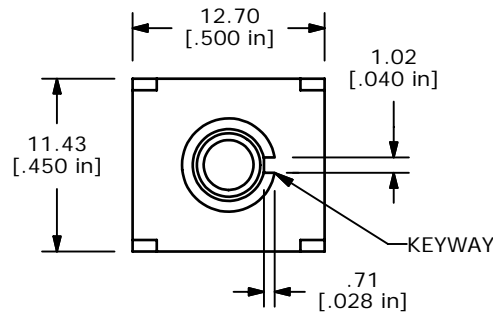
SWITCH FUNCTION		
POS. 1	POS. 2	POS. 3
(ON)	OFF (C)	(ON)
2-3, 5-6	OPEN	2-1, 5-4

(ON) = MOMENTARY



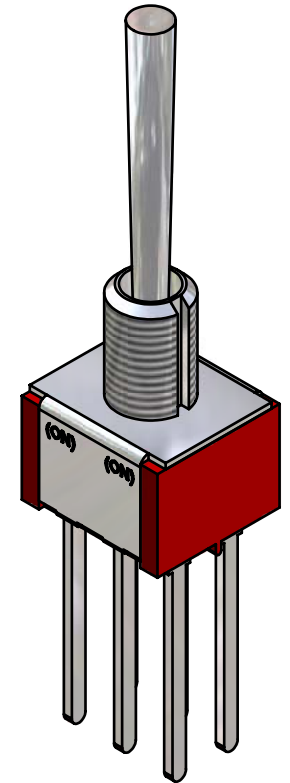
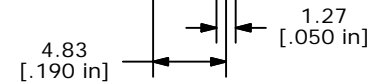
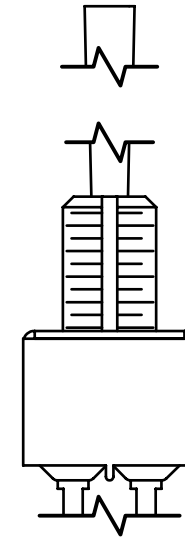
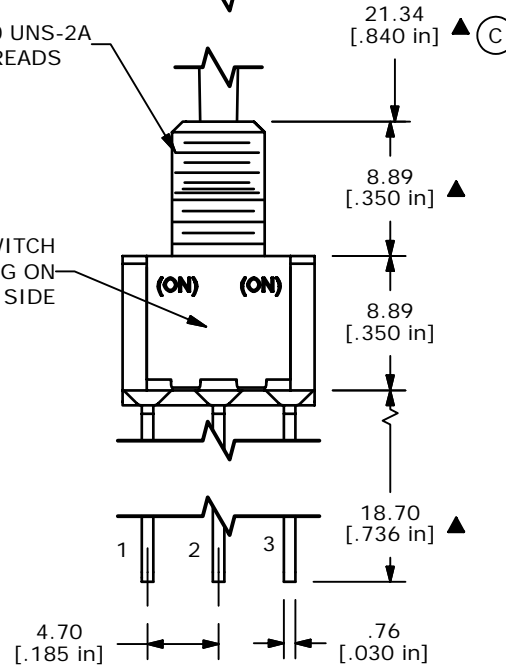
NOTE:

1. ALL DIMENSIONS IN MM [INCH]
2. GENERAL TOLERANCE: X.X=±0.4
X.XX=±0.25
3. TERMINAL NUMBERS FOR REF ONLY
- ▲ 4. PLATING MATERIAL: SILVER
5. RATING: 5 AMPS @ 120VAC OR 28VDC
2 AMPS @ 250VAC
6. ELECTRIC LIFE: 40,000 make-and-break cycles (C)
at full load.
7. INSULATION RESISTANCE: 1,000 Mega-ohm min.
8. DIELECTRIC STRENGTH: 1,000 V RMS @sea level.
9. OPERATING TEMP.: -30°C to 85°C
10. ▲ DENOTES CRITICAL PARAMETER.



1/4-40 UNS-2A
THREADS

E-SWITCH
MARKING ON
OPPOSITE SIDE



D	15233	DIM WAS 8.4 NOW 8.89	9/1/05	PH
C	15200	CHANGES NOTED WITH REV. (C)	8/24/05	PH
B	14977	CHANGED MODEL TEXT	6/3/05	JB
A	14889	RELEASED FOR PRODUCTION	5/6/05	JB
REV	PCR NO	DESCRIPTION	DATE	BY

THE INFORMATION CONTAINED IN THIS DOCUMENT IS PROPRIETARY TO E-SWITCH AND IS NOT TO BE COPIED OR TRANSFERRED

E-SWITCH®

TITLE 100DP4T5B1M51QE

SCALE	DATE	DR	DWG	REV
2:1	5/6/2005	JB	T106001	D