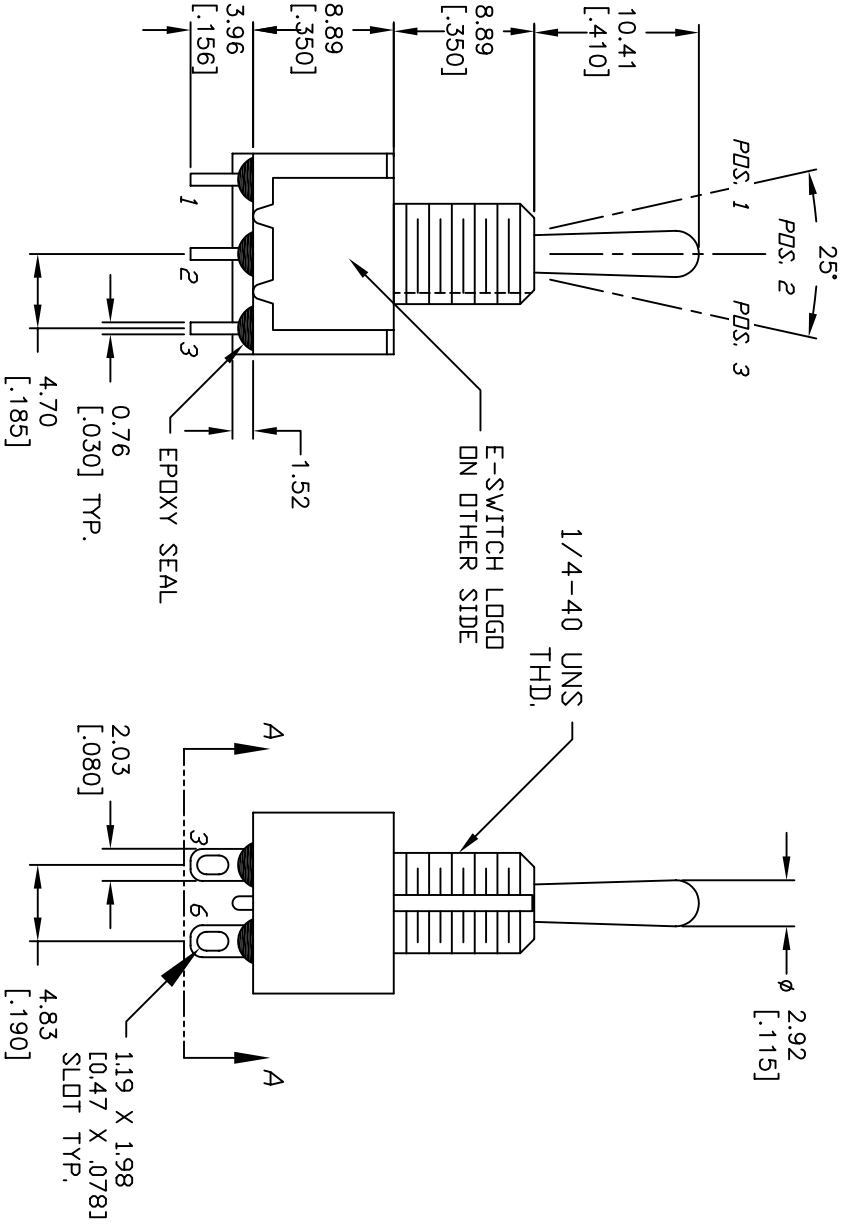
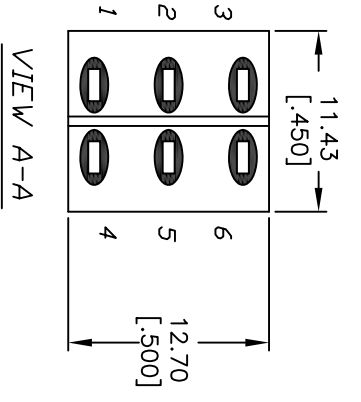
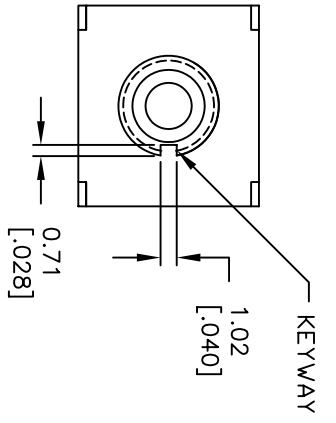


CIRCUIT: DPDT

SWITCH FUNCTION		
PDS. 1	PDS. 2	PDS. 3
DN	NONE	DN
2-3,5-6	OPEN	2-1,5-4

NOTES:

1. ALL DIMENSIONS IN MM [INCH]
2. GENERAL TOLERANCE: X.X=±0.4
X.XX=±0.25
3. TERM. NOS. FOR REF. ONLY
4. RATING: 5A @120V AC, or 28VDC
2A @250V AC
5. MATERIALS: FIXED TERM. &MOVING CONTACT:
Copper Alloy w/Silver plate
6. ELECTRICAL LIFE: 50,000 make-and-break
cycles at full load.
7. INSULATION RESISTANCE: 1,000M ohm min.
8. DIELECTRIC STRENGTH: 1000V RMS @sed level
9. OPERATING TEMP.: -30°C to 85°C
10. 2002/95/EC (ROHS) COMPLIANT



E-SWITCH®

100 DP-1 T1 B1 M1 Q E

C	15753	ADD RDS NOTE	2/10/06	PH
B	11520	REVISED AND REDRAWN	9/24/02	CJB
REV.	ECN NO.	DESCRIPTION	DATE	CHKD

SCALE	DATE	DR	DWG	REV
2:1	9/25/02	CJB	T121005	C

THE INFORMATION CONTAINED IN THIS DOCUMENT IS PROPRIETARY TO E-SWITCH AND IS NOT TO BE COPIED OR TRANSFERRED