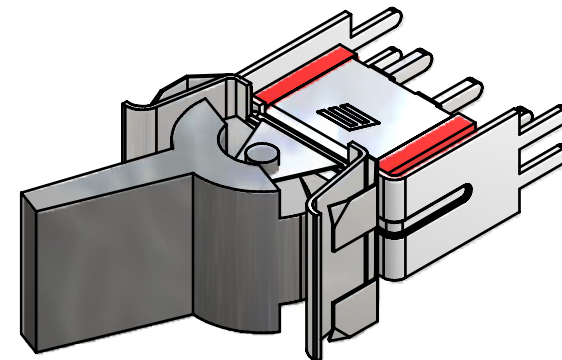
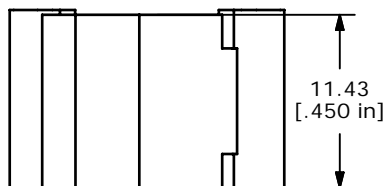
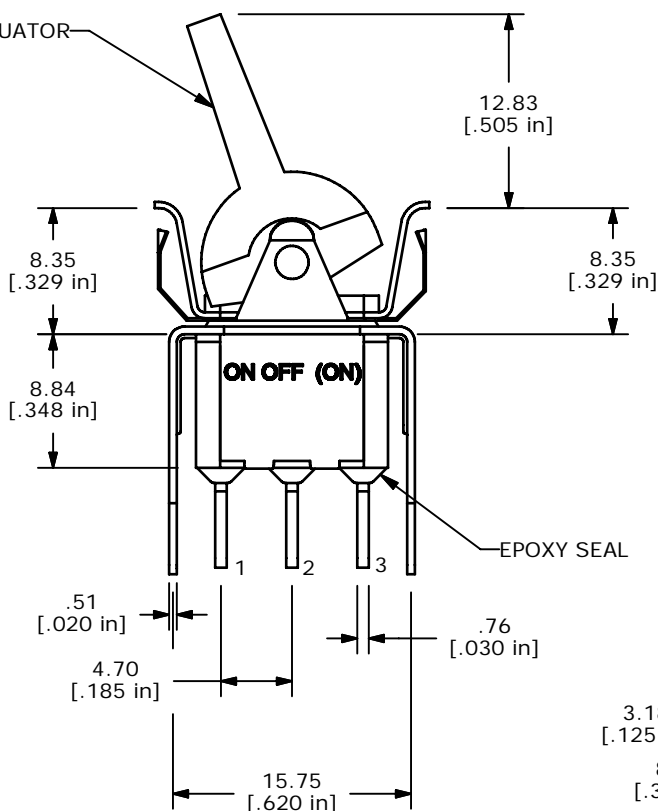


P.C. MOUNTING

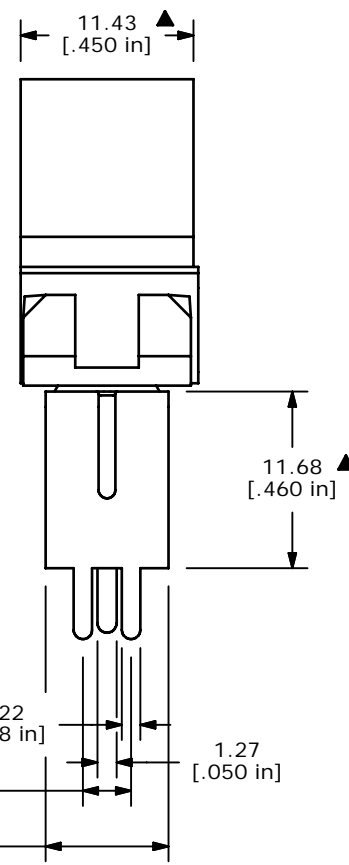


SWITCH FUNCTION ▲		
POS. 1	POS. 2	POS. 3
ON	OFF	(ON)
2-3	N/A	2-1

BLACK ACTUATOR ▲



EPOXY SEAL



NOTE:

1. ALL DIMENSIONS IN MM [INCH]
2. GENERAL TOLERANCE: X.X=±0.4
X.XX=±0.25
3. TERMINAL NUMBERS FOR REF ONLY
4. PLATING MATERIAL: GOLD
5. RATING: 0.4 VOLT AMPS MAX. @20V MAX. AC OR DC
6. ELECTRIC LIFE: 40,000 make-and-break cycles at full load.
7. INSULATION RESISTANCE: 1,000 Mega-ohm min.
8. DIELECTRIC STRENGTH: 1,000 V RMS @sea level.
9. OPERATING TEMP.: -30°C to 85°C
10. ▲ DENOTES CRITICAL PARAMETER.
11. 2002/95/EC (ROHS) COMPLIANT

B	17851	Corrected Function on Switch Body	11/9/07	rc
A	17831	New Release	11/7/2007	rc
REV	PCR NO	DESCRIPTION	DATE	BY

THE INFORMATION CONTAINED IN THIS DOCUMENT IS PROPRIETARY TO E-SWITCH AND IS NOT TO BE COPIED OR TRANSFERRED



TITLE 300SP5R8BLKVS2RE				
SCALE 2=1	DATE 11/7/2007	DR rc	DWG T311011	REV B