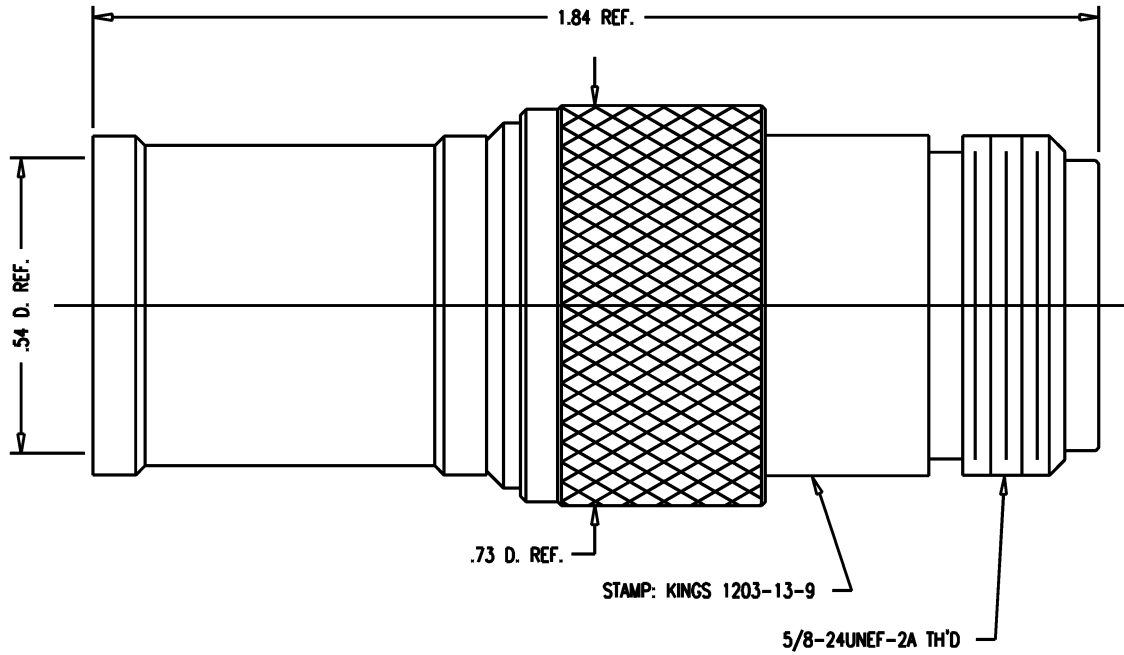


# GSD

1203-13-9



**NOTES:**

1. FOR USE WITH TIMES AA-2831 & FEP 226 CABLE.
2. FOR CABLING INSTRUCTIONS SEE CP-5402.
3. FOR CABLE TRIMMING USE KTJ-223 & KTD-404.
4. FOR CRIMPING USE DIE KTH-2177.
5. INTERFACE PER MIL-STD-348, FIG. 304-2.
6. CONTACT (1-5881-1MA9) TO BE SUPPLIED UNASSEMBLED.
7. MATERIALS:  
 INSULATOR: TEFLON, ASTM-D-1457  
 CENTER CONTACT: BER. COP., ASTM-B-196  
 K-GRIP SLEEVE: COM. BRONZE TUBE, ALLOY 220  
 ALL OTHER METAL PARTS: BRASS, ASTM-B16
8. FINISHES:  
 CENTER CONTACT: HARD GOLD PLATE PER MIL-G-45204  
 ALL OTHER METAL PARTS: BRASS, ASTM-B16
9. ELECTRICAL CHARACTERISTICS:  
 NOMINAL IMPEDANCE: 50 OHMS  
 WORKING VOLTAGE: 1000 VRMS  
 FREQUENCY RANGE: DC TO 11 GHz

**REVISIONS**

ISSUE	CHANGES
0	ER 33790 KH 05/14/92

JCA2587

SCALE 4:1

APPROX SURFACE AREA

USED ON

REF: BOEING

JACK, N

DRAWN JCA DATE 03/16/92

DESIGN MJB DATE 03/17/92

APPR. DATE

**KINGS**  
 ELECTRONICS CO., INC.  
 TUCKAHOE, NEW YORK 10707

1203-13-9

# GSD