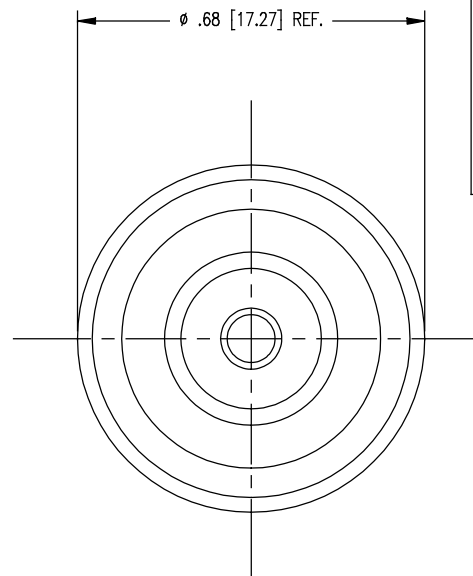
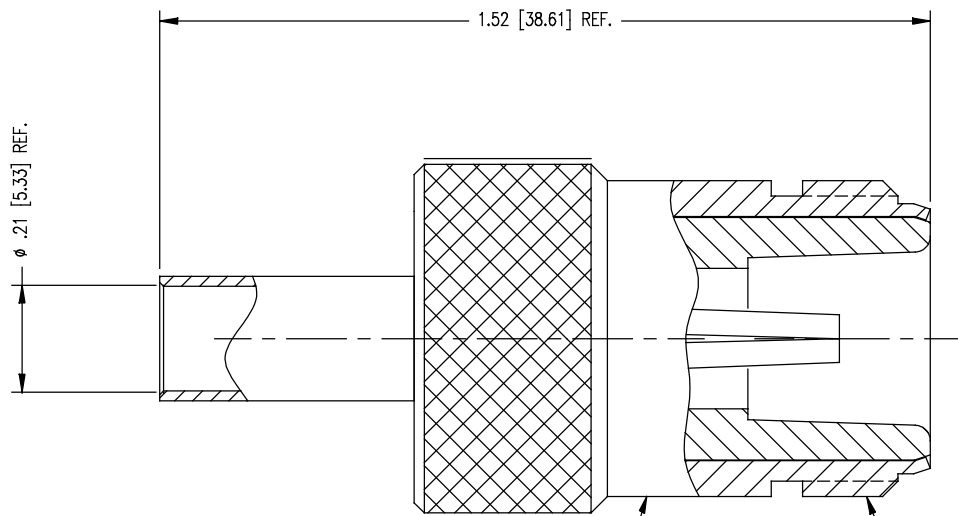


| | | |
|----------|--------|-----------|
| DASH NO. | M CODE | MADE FROM |
|----------|--------|-----------|



GSD

1203-31-9

| REVISIONS | |
|-----------|----------------------------|
| ISSUE | CHANGES |
| 0 | ER 39953 DRK 06/04/07 |
| 1 | CN 39971 A DRK 06/18/07 |

NOTES:

- FOR USE WITH BELDEN RF 195 CABLE.
- FOR CABLING INSTRUCTIONS SEE 3-800.
- FOR CRIMPING USE DIE KTH-2042.
- INTERFACE PER MIL-STD-348, FIG. 304-2.
- CRIMPING SLEEVE AND CENTER CONTACT TO BE SUPPLIED UNASSEMBLED.
- MATERIALS:
INSULATOR: TEFLON ASTM-D4894.
GASKET: SILICONE RUBBER A-A-59588.
K-GRIP SLEEVE: COMMERCIAL BRONZE ASTM-B140.
ALL OTHER METAL PARTS: BRASS ASTM-B16.
- FINISHES:
CENTER CONTACT: GOLD PLATE ASTM-B488.
OUTER CONTACT: SILVER PLATE ASTM-B700.
ALL OTHER METAL PARTS: NICKEL (TR-5).
- ELECTRICAL CHARACTERISTICS:
NOMINAL IMPEDANCE: 50 OHMS.
WORKING VOLTAGE: 1000 VRMS.
FREQUENCY RANGE: DC TO 11 GHZ.
- DIMENSIONS IN INCHES [MM].

STAMP: KINGS 1203-31-9
YRWK (DATE CODE)

5/8-24UNEF-2A THREAD

SCALE 4:1

APPROX SURFACE AREA

USED ON

REF: EQR 933

JACK, N

DRAWN DRK DATE 06/04/07

DESIGN DRK DATE 06/04/07

APPR. DATE



1203-31-9

UNLESS OTHERWISE SPECIFIED

- TOLERANCES: FRACTIONS & 2 PLACE DECIMALS ± .010
3 PLACE DECIMALS ± .004 ANGLES ± 1°
CONCENTRICITY OF ANY 2 DIAMETERS MAY NOT EXCEED HALF THE SUM OF THEIR TOLERANCES.

- REMOVE ALL BURRS, BREAK SHARP EDGES .005 MAX.
- NO FILLETS PERMITTED.
- SURFACE ROUGHNESS 63 MICRONS RMS MAX.
- ALL DIMENSIONS PRIOR TO PLATING.
- ALL PLATING IN ACCORDANCE WITH KER 10004.

- ALL LEAD THREADS TO BE CHAMFERED 45° TO ROOT DIAMETER.
- ★ CRITICAL DIMENSIONS

GSD