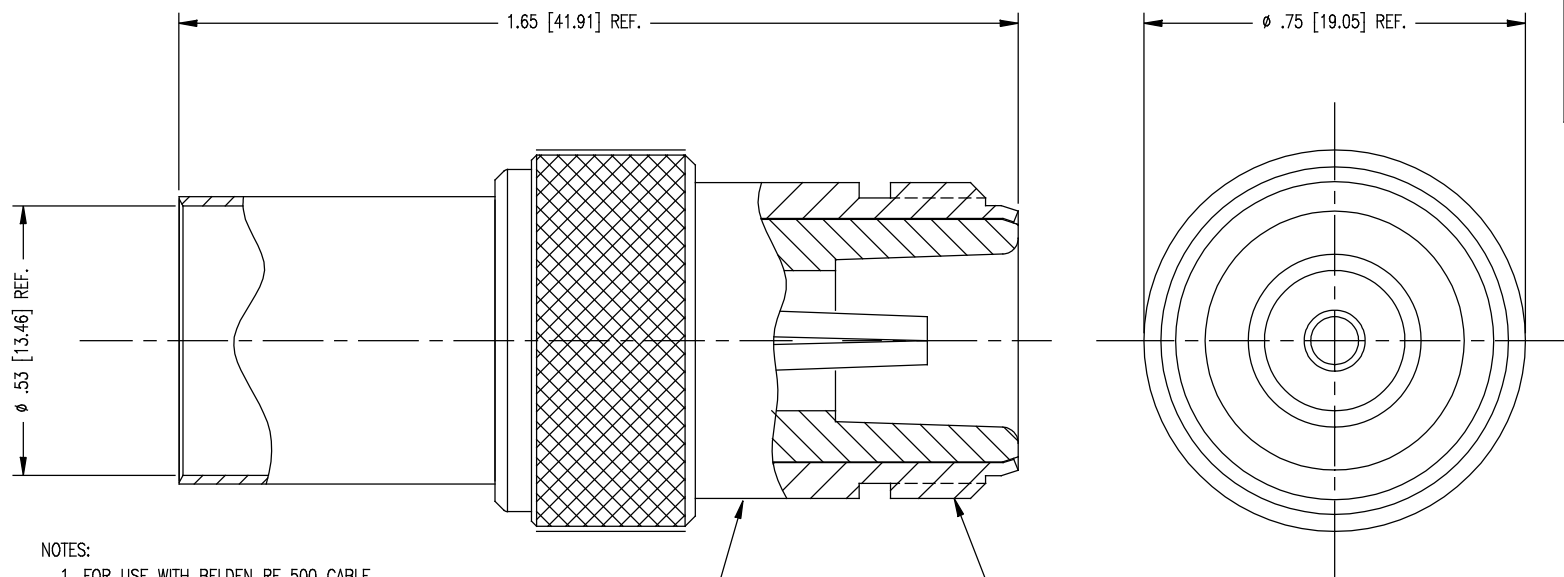


DASH NO.	M CODE	MADE FROM
----------	--------	-----------

GSD

1203-34-9

REVISIONS	
ISSUE	CHANGES
0	ER 39751 DRK 01/08/07
1	CN 39782 E DRK 02/02/07



NOTES:

- FOR USE WITH BELDEN RF 500 CABLE.
- FOR CABLING INSTRUCTIONS SEE 3-781.
- FOR CRIMPING USE DIE KTH-2287 (CD500).
- INTERFACE PER MIL-STD-348, FIG. 304-1.
- CRIMPING SLEEVE AND CENTER CONTACT TO BE SUPPLIED UNASSEMBLED.
- MATERIALS:
INSULATOR: TEFLON.
K-GRIP SLEEVE: COMMERCIAL BRONZE.
CENTER CONTACT: BER. COPPER, ASTM-B196.
ALL OTHER METAL PARTS: BRASS.
- FINISHES:
CENTER CONTACT: GOLD, ASTM-B488.
ALL OTHER METAL PARTS: KINGS TARNISH RESISTANT NICKEL FINISH (TR-5).
- ELECTRICAL CHARACTERISTICS:
NOMINAL IMPEDANCE: 50 OHMS.
WORKING VOLTAGE: 1000 VRMS.
FREQUENCY RANGE: DC TO 11 GHZ.

5/8-24UNEF-2A THREAD
STAMP: BELDEN NF500 YRWK (DATE CODE)

SUPERSEDED BY
1203-29-7

GSD

SCALE 4:1	
APPROX SURFACE AREA	
USED ON	
REF: EQR 933, 1203-29-9	
JACK, N	
DRAWN DRK	DATE 01/08/07
DESIGN DRK	DATE 10/05/05
APPR.	DATE
 ROCK HILL, SOUTH CAROLINA 29730	
1203-34-9	